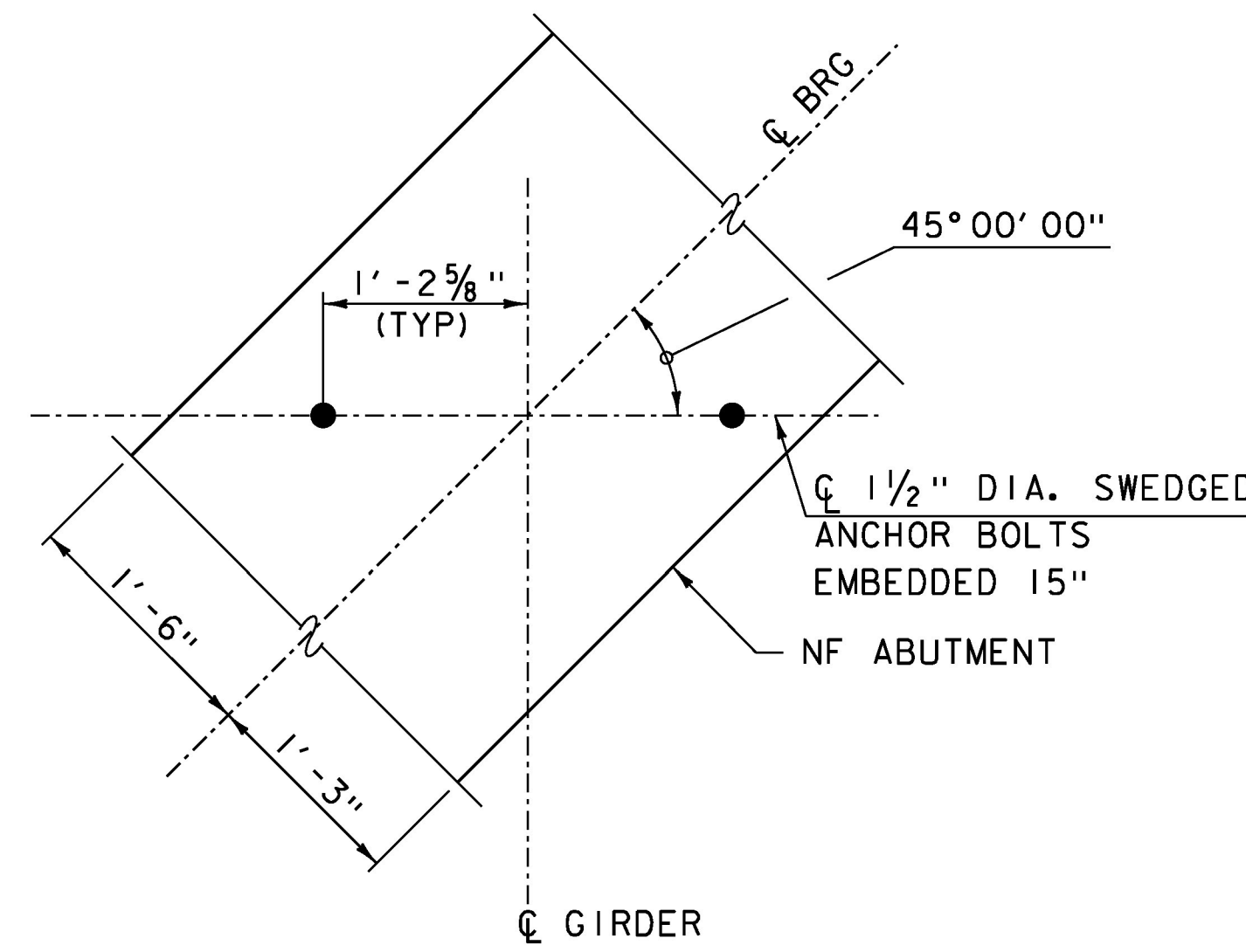
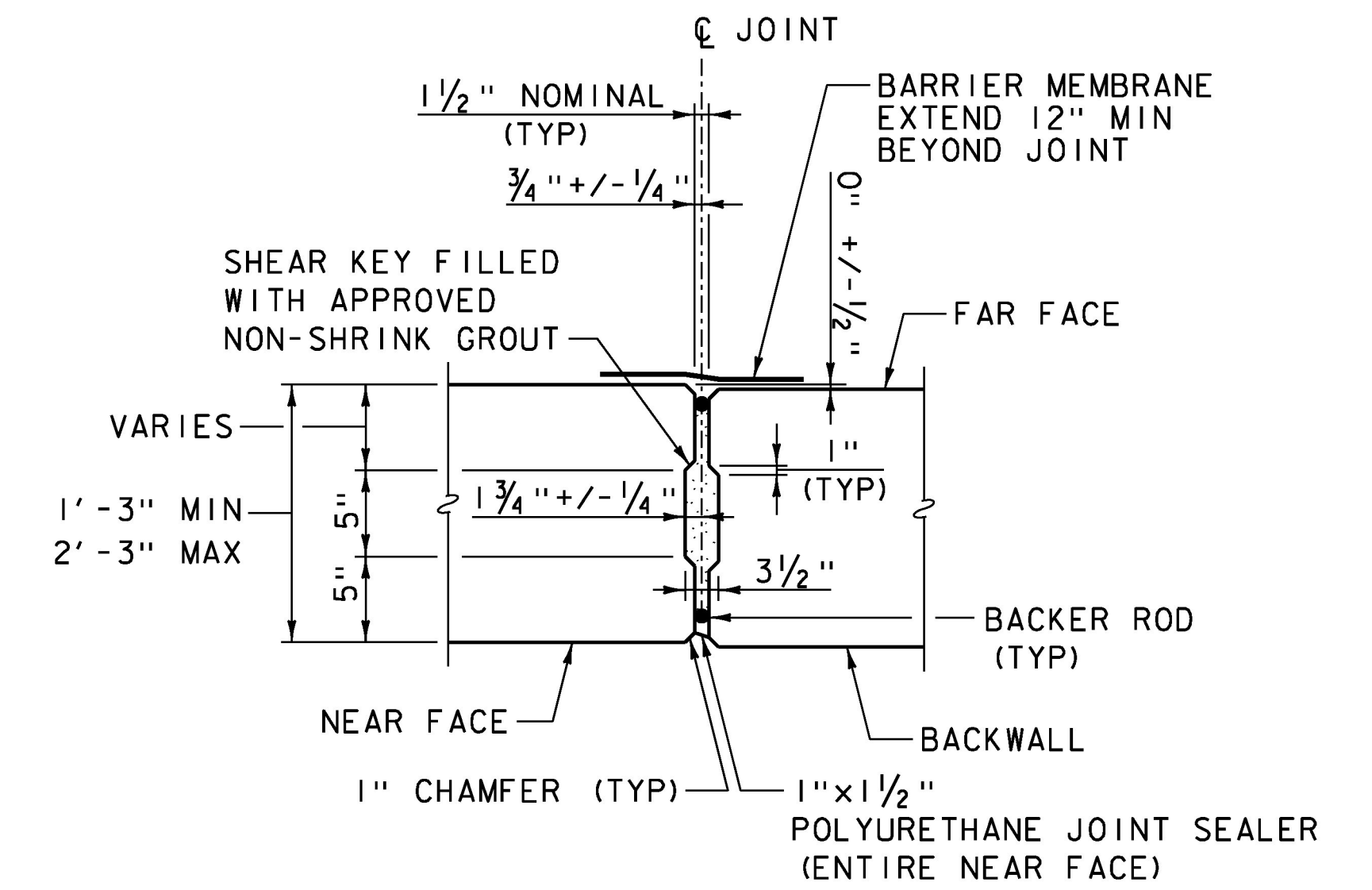


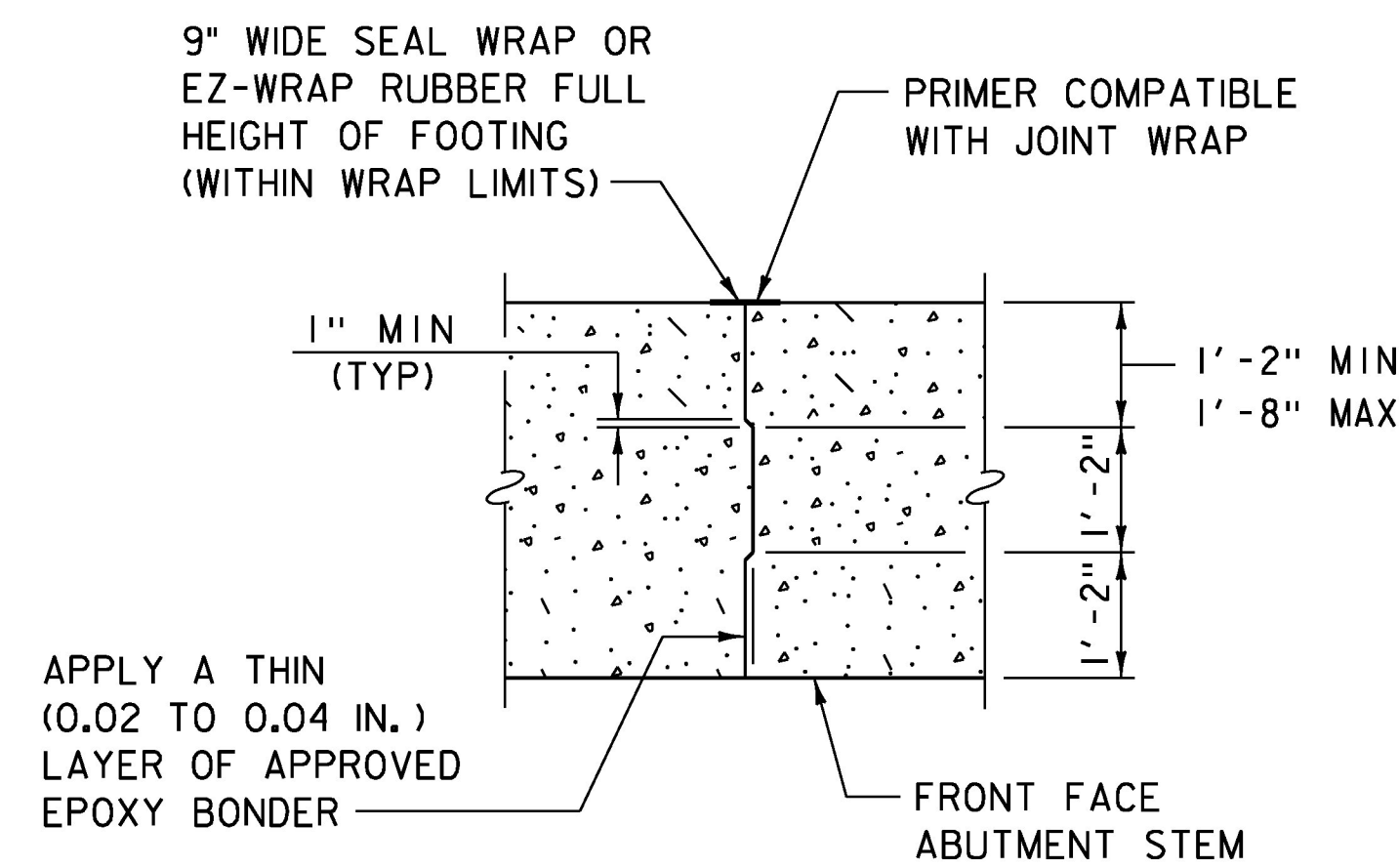
**BACKWALL TO ABUTMENT STEM
CONNECTION DETAIL**
SCALE: 1" = 1'-0"



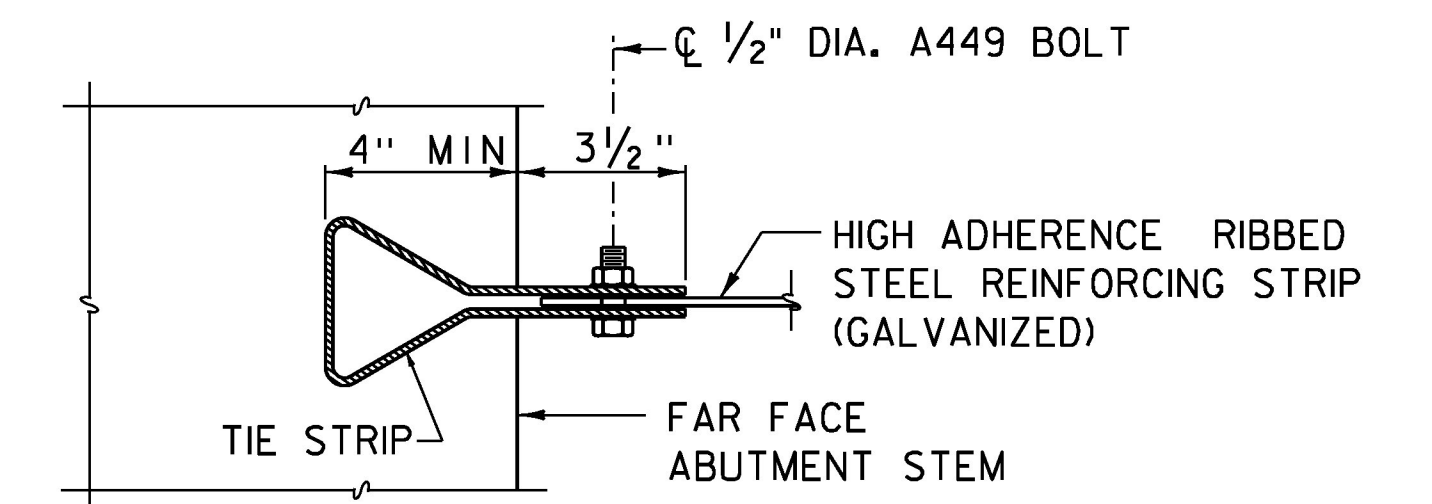
ANCHOR BOLT LAYOUT
SCALE: 1" = 1'-0"



BACKWALL VERTICAL JOINT
(BELOW APPROACH SLAB SEAT)
SCALE: 3/4" = 1'-0"



ABUTMENT STEM MATCH CAST JOINT
SCALE: 1/2" = 1'-0"



SOIL REINFORCING CONNECTION DETAIL
NOT TO SCALE

NOTES

1. FOR APPROACH SLAB SEAT ELEVATIONS, SEE SHEET 34
2. FOR TIE STRIP LOCATIONS, SEE SHEET 43

NOTE:

NF = NEAR FACE
 FF = FAR FACE
 EF = EACH FACE
 ▲ = CUT TO FIT IN FIELD
 3" CLEAR, UNLESS OTHERWISE SPECIFIED ON THE PLANS.
 2'-2" BAR LAP UNLESS OTHERWISE SPECIFIED ON THE PLANS.



PROJECT NAME: WAITSFIELD	
PROJECT NUMBER: BRF 013-4(39)	
FILE NAME: z12b136abu+d+1s.dgn	PLOT DATE: 8/24/2015
PROJECT LEADER: R.YOUNG	DRAWN BY: S.MERKWAN
DESIGNED BY: D.KULL	CHECKED BY: T.KENDRICK
ABUTMENT NO 2 DETAILS (3 OF 3)	SHEET 45 OF 69