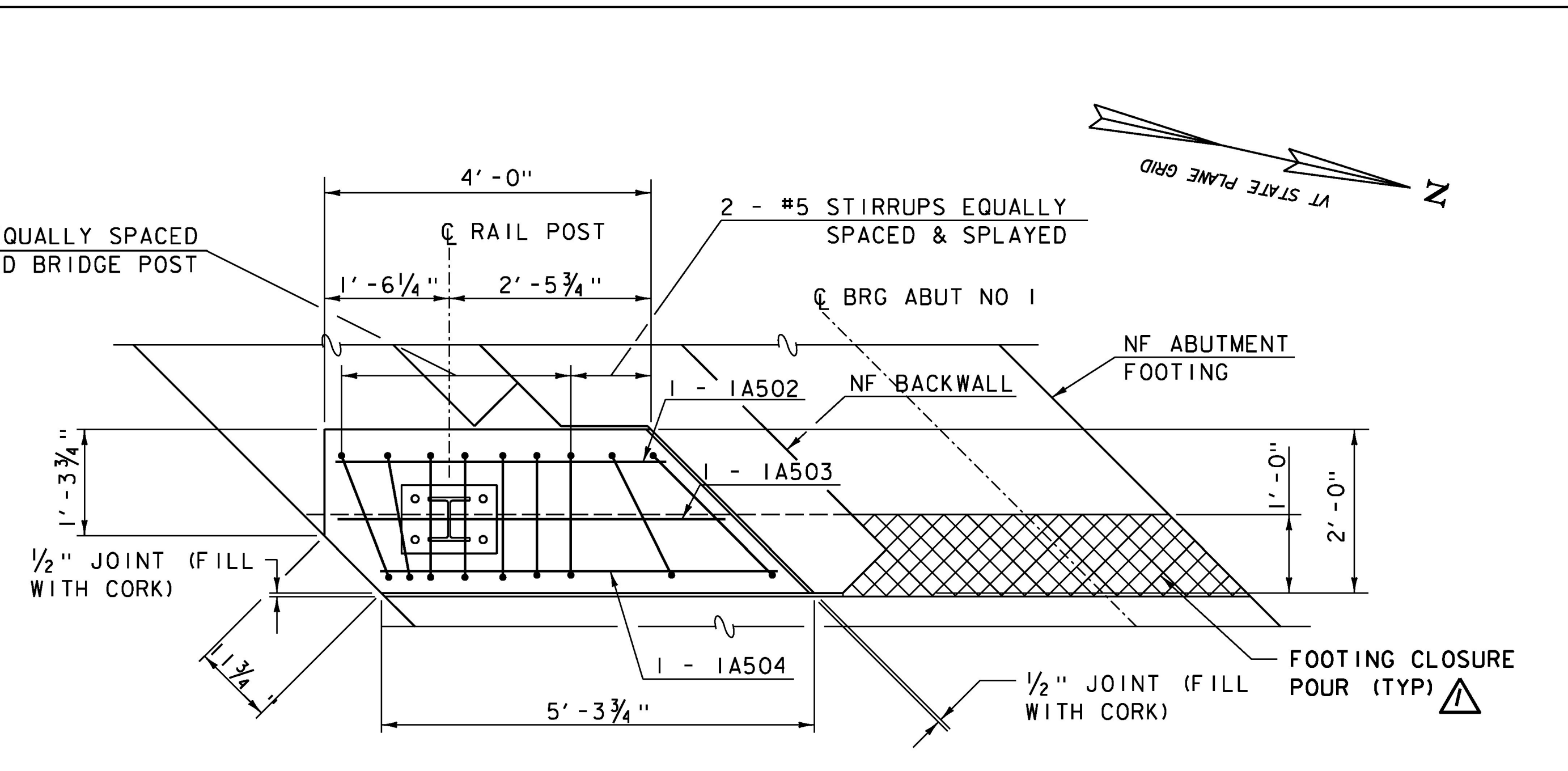
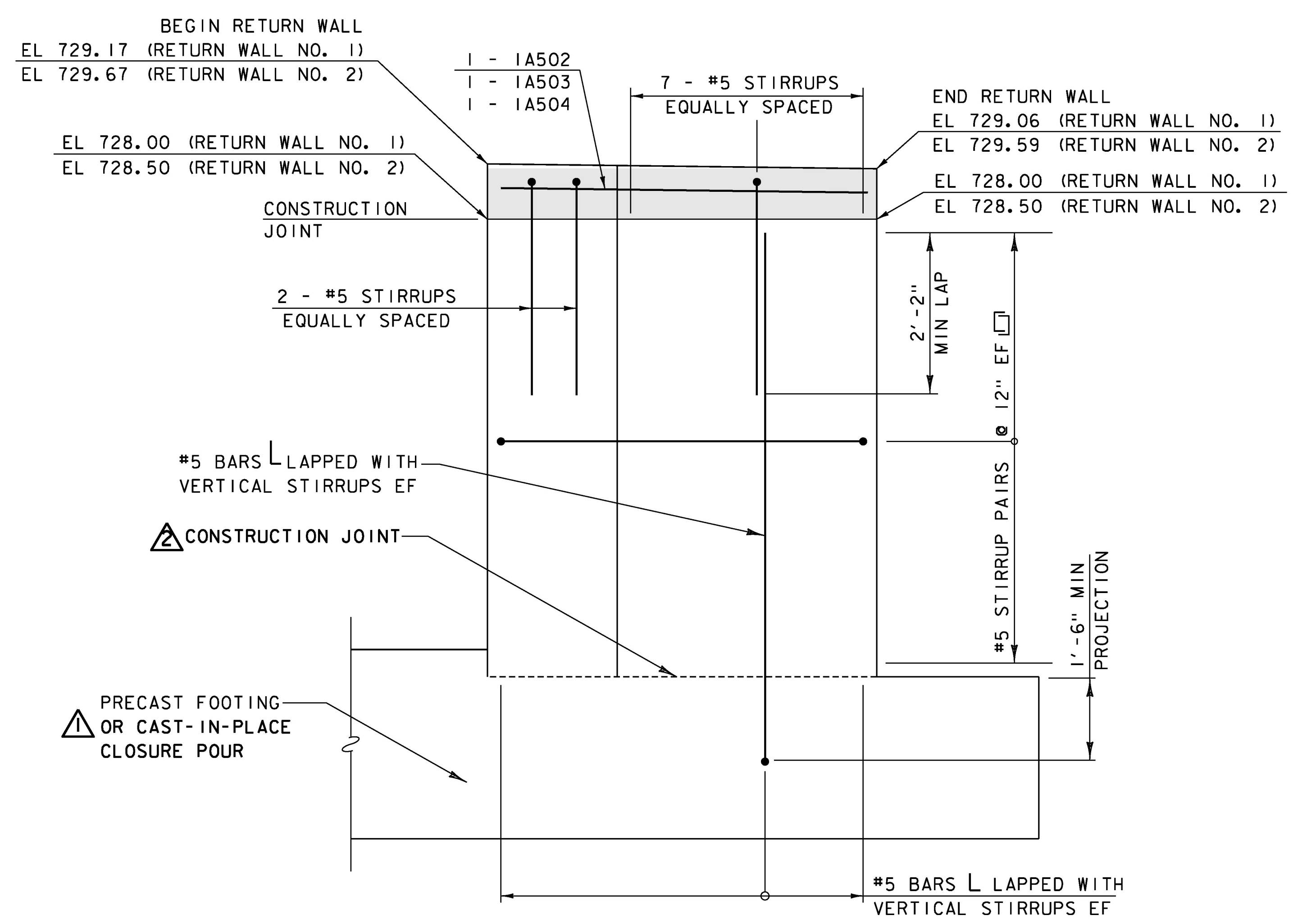


RETURN WALL NO. 2 PLAN
SCALE: 3/4" = 1'-0"



RETURN WALL NO. 1 PLAN
SCALE: 3/4" = 1'-0"



RETURN WALL ELEVATION
SCALE: 3/4" = 1'-0"
NOTE: PRECAST WINGWALL AND BACKWALL NOT SHOWN FOR CLARITY

LEGEND

- CONCRETE, HIGH PERFORMANCE, CLASS A
- SPECIAL PROVISION (HIGH PERFORMANCE CONCRETE, RAPID SET) (FPQ)

NOTES

- 1.
2. TOP OF RETURN WALL ELEVATIONS ARE THEORETICAL AND SHALL MATCH CAST-IN-PLACE CURB ELEVATIONS ON DECK.
3. RAIL POST LOCATIONS TO BE DEVELOPED BY FABRICATOR AND RAIL POST MANUFACTURER.

REV	DATE	DESCRIPTION
△	10/13/2015	CLOSURE POUR ADDITION
△	10/13/2015	CONSTRUCTION JOINT REV.

PROJECT NAME: WAITSFIELD	PLOT DATE: 10/13/2015
PROJECT NUMBER: BRF 013-4(39)	DRAWN BY: S.MERKWAN
FILE NAME: z12b136abu+d+1s.dgn	CHECKED BY: T.KENDRICK
PROJECT LEADER: R.YOUNG	SHEET 38 OF 69
DESIGNED BY: D.KULL	
ABUTMENT NO 1 DETAILS (2 OF 3)	

