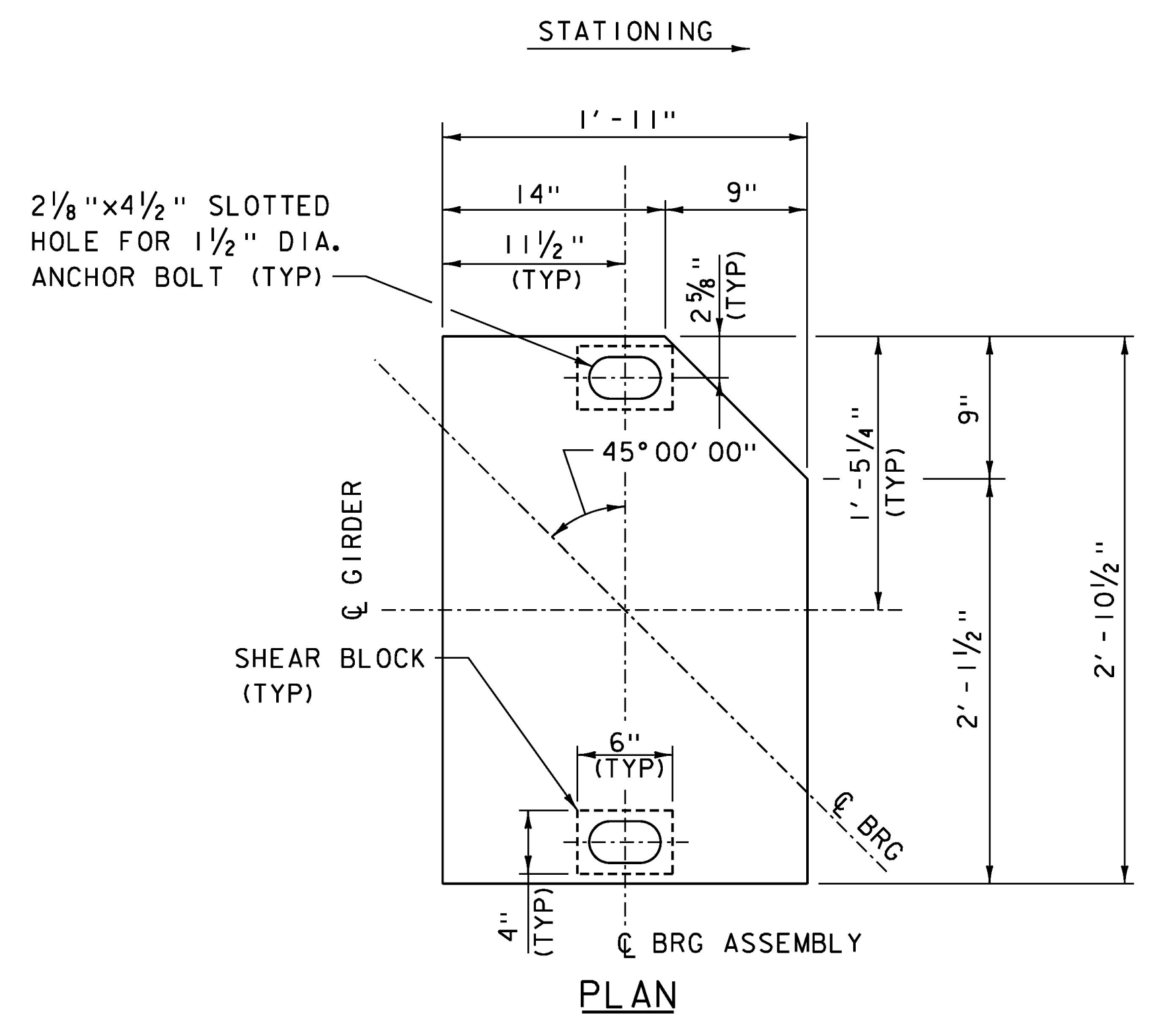


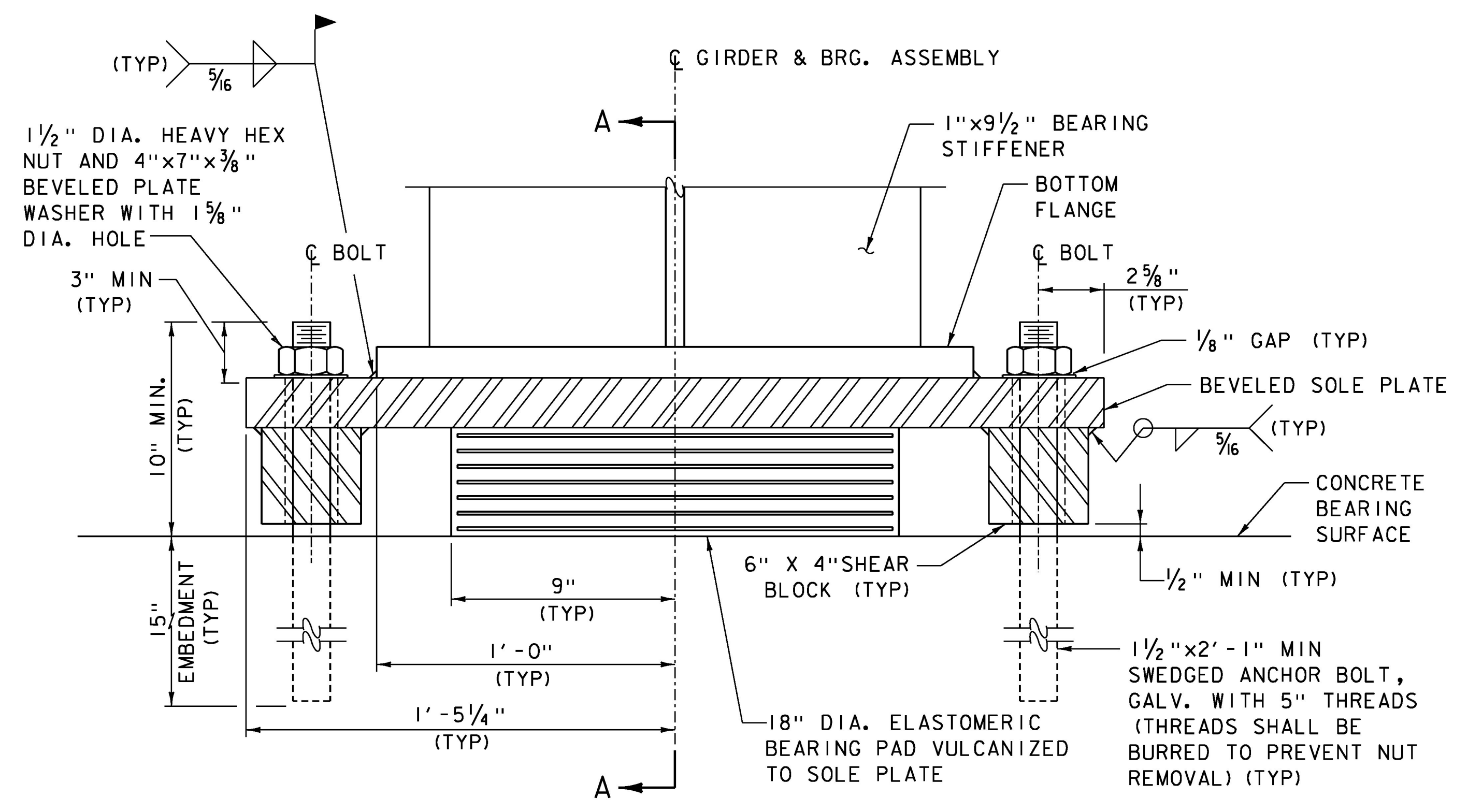
PLAN
SCALE: 1/2" = 1' - 0"



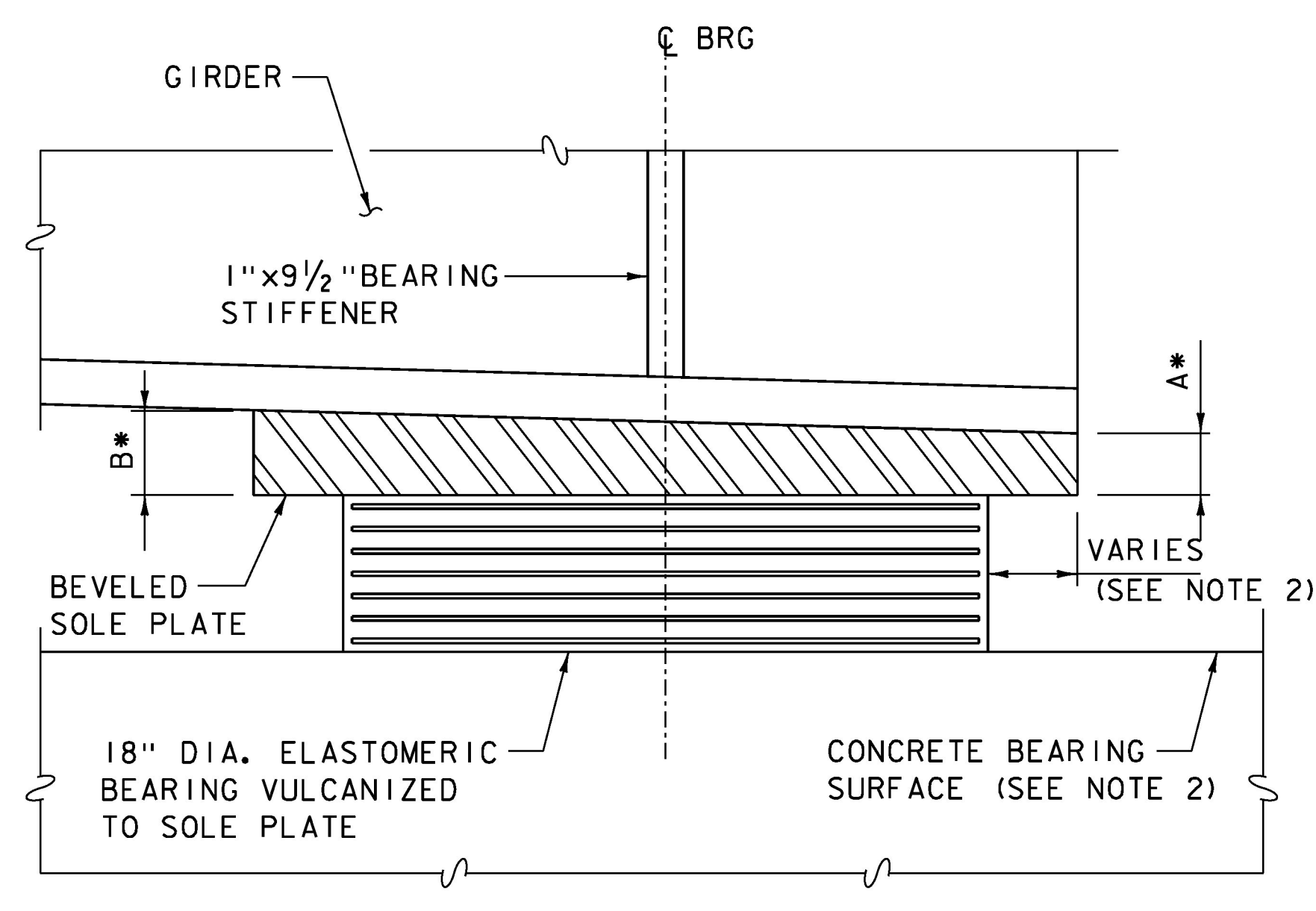
ELEVATION
BEVELED SOLE PLATE
SCALE: 1/2" = 1' - 0"

TEMP.	"X"	"Y"
0° F	2 7/8"	1 5/8"
15° F	2 5/8"	1 7/8"
30° F	2 1/2"	2"
45° F	2 1/4"	2 1/4"
60° F	2"	2 1/2"
75° F	1 7/8"	2 5/8"
90° F	1 5/8"	2 7/8"
105° F	1 1/2"	3"

	"A"	"B"
G1	1 3/4"	2"
G2	2 1/4"	2 1/2"
G3	1 5/8"	2 5/16"
G4	1 13/16"	2 3/16"
G5	1 1/16"	2 1/16"



FRONT ELEVATION



SECTION A-A

BEARING NOTES:

- FOR BEARING NOTES AND DESIGN CRITERIA, SEE BEARING DETAILS SHEET 1.
- THE CONTRACTOR SHALL INCLUDE THE BEARING INSTALLATION PROCEDURE WITH THE FABRICATION DRAWING PACKAGE REQUIRED UNDER SUBSECTION 531.03. PROCEDURE SHALL INCLUDE BEARING ADJUSTMENT SETTING DEPENDING UPON TEMPERATURE AT TIME OF ERECTION.

ABUTMENT NO 2 - EXPANSION BEARING DETAILS
SCALE: 3" = 1' - 0"

* SEE ABUTMENT NO. 2 BEVELED SOLE PLATE THICKNESS TABLE



PROJECT NAME: WAITSFIELD	PLOT DATE: 8/24/2015
PROJECT NUMBER: BRF 013-4(39)	DRAWN BY: S.MERKWAN
FILE NAME: z12b136brg.dgn	CHECKED BY: T.KENDRICK
PROJECT LEADER: R.YOUNG	BEARING DETAILS (2 OF 2)
DESIGNED BY: D.KULL	SHEET 34 OF 69