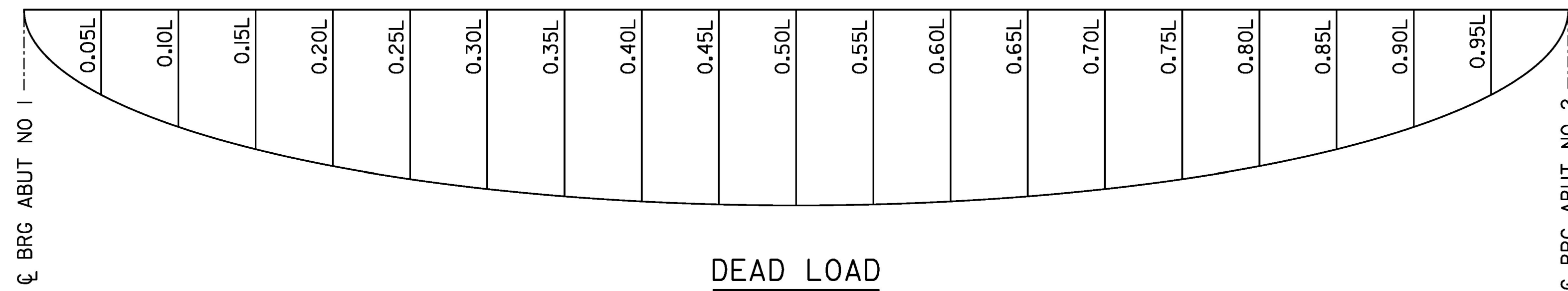


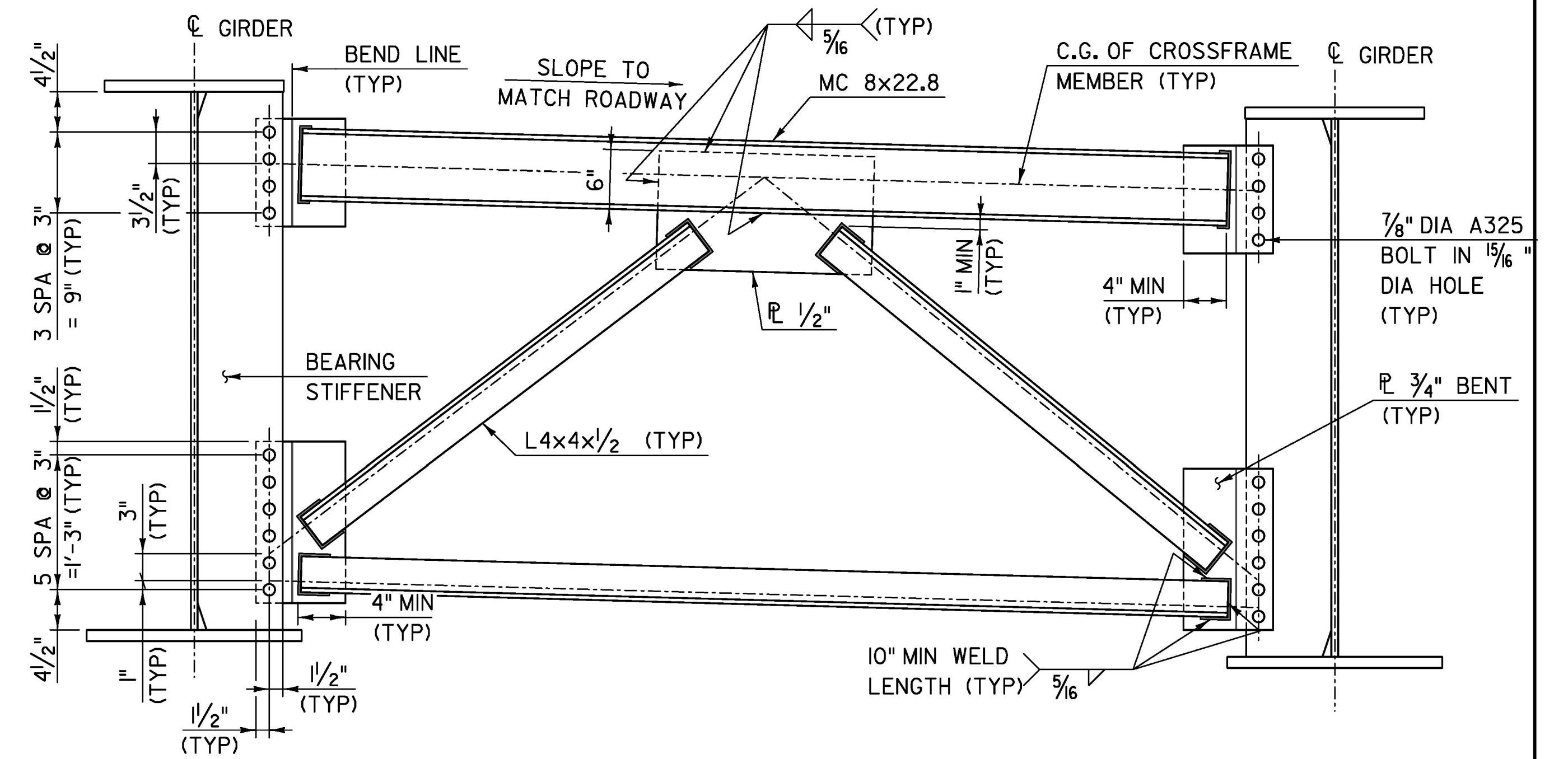
CAMBER DIAGRAM
NOT TO SCALE



DEAD LOAD DEFLECTION DIAGRAM
NOT TO SCALE

GIRDER 1 & 5	CL BRG ABUT 1	.05L	.10L	.15L	.20L	.25L	.30L	.35L	.40L	.45L	.50L	.55L	.60L	.65L	.70L	.75L	.80L	.85L	.90L	.95L	CL BRG ABUT 2
STEEL DEFLECTION	0	9/16	1/8	15/8	2/8	2 1/2	2 7/8	3 1/8	3 5/16	3 7/16	3 1/2	3 7/16	3 5/16	3 3/8	2 7/8	2 1/2	2 1/8	1 5/8	1/8	9/16	0
SLAB & SDL DEFLECTION	0	1 1/16	2 1/2	3 5/8	4 1/16	5 5/16	6 5/16	6 15/16	7 3/8	7 5/8	7 11/16	7 7/8	7 3/8	6 15/16	6 5/16	5 9/16	4 1/16	3 5/8	2 1/2	1 5/16	0
TOTAL DEFLECTION	0	1 7/16	3 5/8	5 5/16	6 13/16	8 1/16	9 3/16	10 1/16	10 11/16	11 1/16	11 3/16	11 1/16	10 11/16	10 1/16	9 3/16	8 1/16	6 13/16	5 1/4	3 5/8	1 7/8	0
VERTICAL CURVE CAMBER	0	1 1/16	2 1/16	3 1/16	4 3/4	5 5/16	6 1/4	6 3/4	7 1/8	7 3/8	7 7/16	7 7/8	7 1/8	6 3/4	6 1/4	5 5/16	4 3/4	3 13/16	2 11/16	1 1/16	0
TOTAL CAMBER	0	3 1/4	6 5/16	9 1/16	11 9/16	13 5/8	15 1/16	16 13/16	17 9/16	18 1/16	18 5/8	18 1/16	17 13/16	16 5/16	15 1/16	13 5/8	11 9/16	9 1/16	6 5/16	3 1/4	0

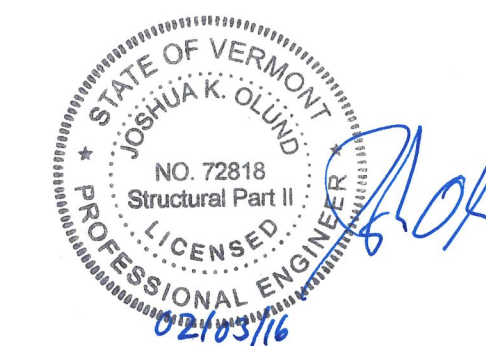
GIRDER 2 - 4	CL BRG ABUT 1	.05L	.10L	.15L	.20L	.25L	.30L	.35L	.40L	.45L	.50L	.55L	.60L	.65L	.70L	.75L	.80L	.85L	.90L	.95L	CL BRG ABUT 2
STEEL DEFLECTION	0	5/8	1 1/16	1 1/16	2 3/16	2 5/8	3	3 1/4	3 7/16	3 9/16	3 5/8	3 9/16	3 7/16	3 1/4	3	2 5/8	2 3/16	1 11/16	1 3/16	5/8	0
SLAB & SDL DEFLECTION	0	1 3/8	2 5/8	3 7/8	4 15/16	5 15/16	6 11/16	7 3/8	7 9/16	8 1/8	8 3/16	8 1/8	7 13/16	7 3/8	6 11/16	5 15/16	4 15/16	3 7/8	2 5/8	1 3/8	0
TOTAL DEFLECTION	0	2	3 13/16	5 3/16	7 3/16	8 1/2	9 1/16	10 5/8	11 1/4	11 13/16	11 13/16	11 1/16	11 1/4	10 5/8	9 11/16	8 1/2	7 3/16	5 3/16	3 13/16	2	0
VERTICAL CURVE CAMBER	0	1 1/16	2 1/16	3 1/16	4 3/4	5 5/16	6 1/4	6 3/4	7 1/8	7 3/8	7 7/16	7 7/8	7 1/8	6 3/4	6 1/4	5 5/16	4 3/4	3 13/16	2 11/16	1 1/16	0
TOTAL CAMBER	0	3 3/8	6 1/2	9 3/8	11 5/16	14 1/8	15 1/16	17 3/8	18 1/16	19 1/16	19 1/4	19 1/16	18 1/16	17 3/8	15 1/16	14 1/8	11 5/16	9 5/16	6 1/2	3 3/8	0



ABUTMENT 2 END CROSSFRAME DETAIL
SCALE: 1/2" = 1'-0"

NOTES:

1. CAMBER AND DEFLECTION VALUES ARE IN INCHES AND DO NOT INCLUDE FUTURE WEARING SURFACE.



TYLIN INTERNATIONAL

PROJECT NAME: WAITSFIELD	PLOT DATE: 2/2/2016
PROJECT NUMBER: BRF 013-4(39)	DRAWN BY: S. MORGAN
FILE NAME: z12bi36sup3.dgn	CHECKED BY: T. POULIN
PROJECT LEADER: J. OLUND	SHEET 32 OF 69
DESIGNED BY: J. OLUND	
CAMBER AND STEEL DETAILS	