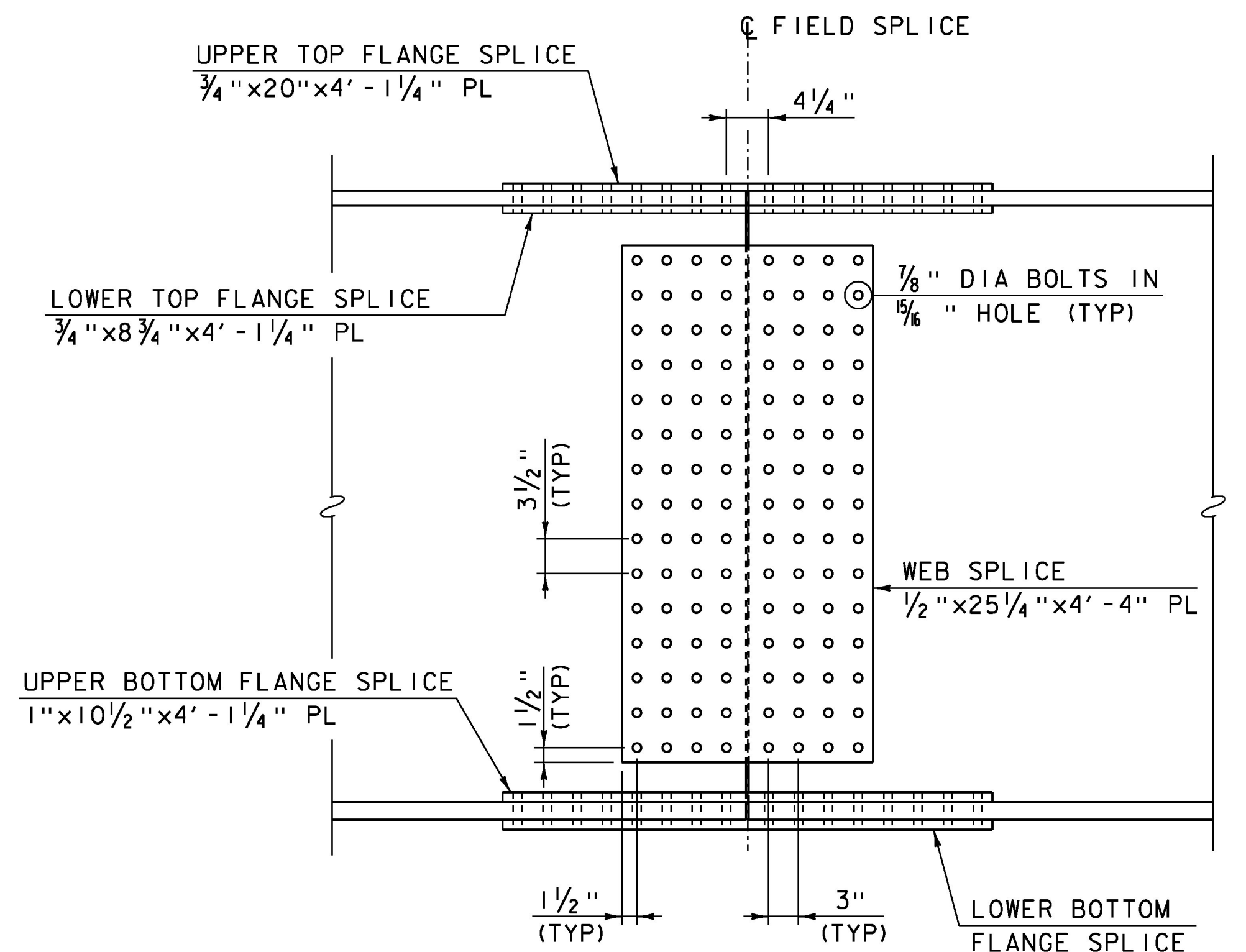
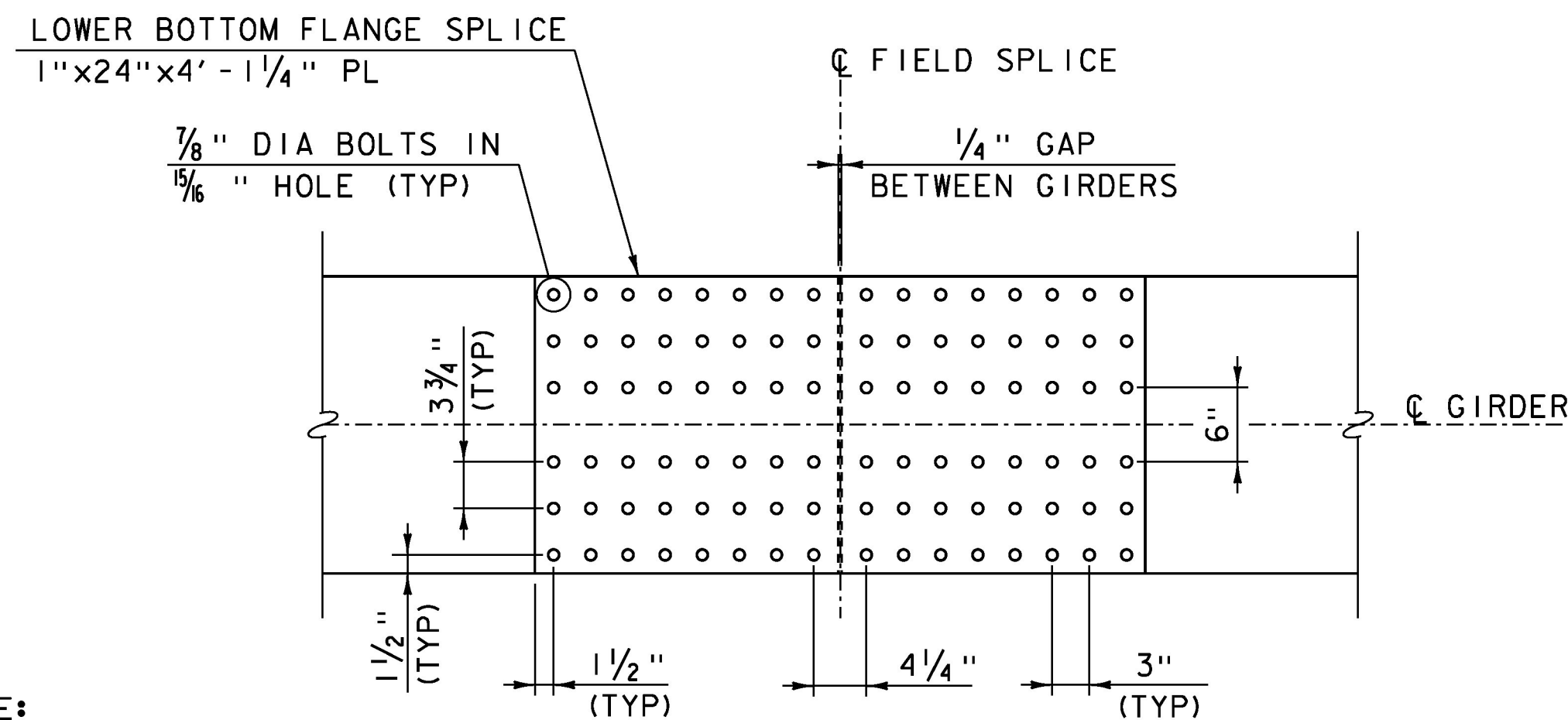


NOTE:
LOWER TOP FLANGE SPLICE
SHALL BE SIMILAR

UPPER TOP FLANGE SPLICE
SCALE: 1" = 1'-0"

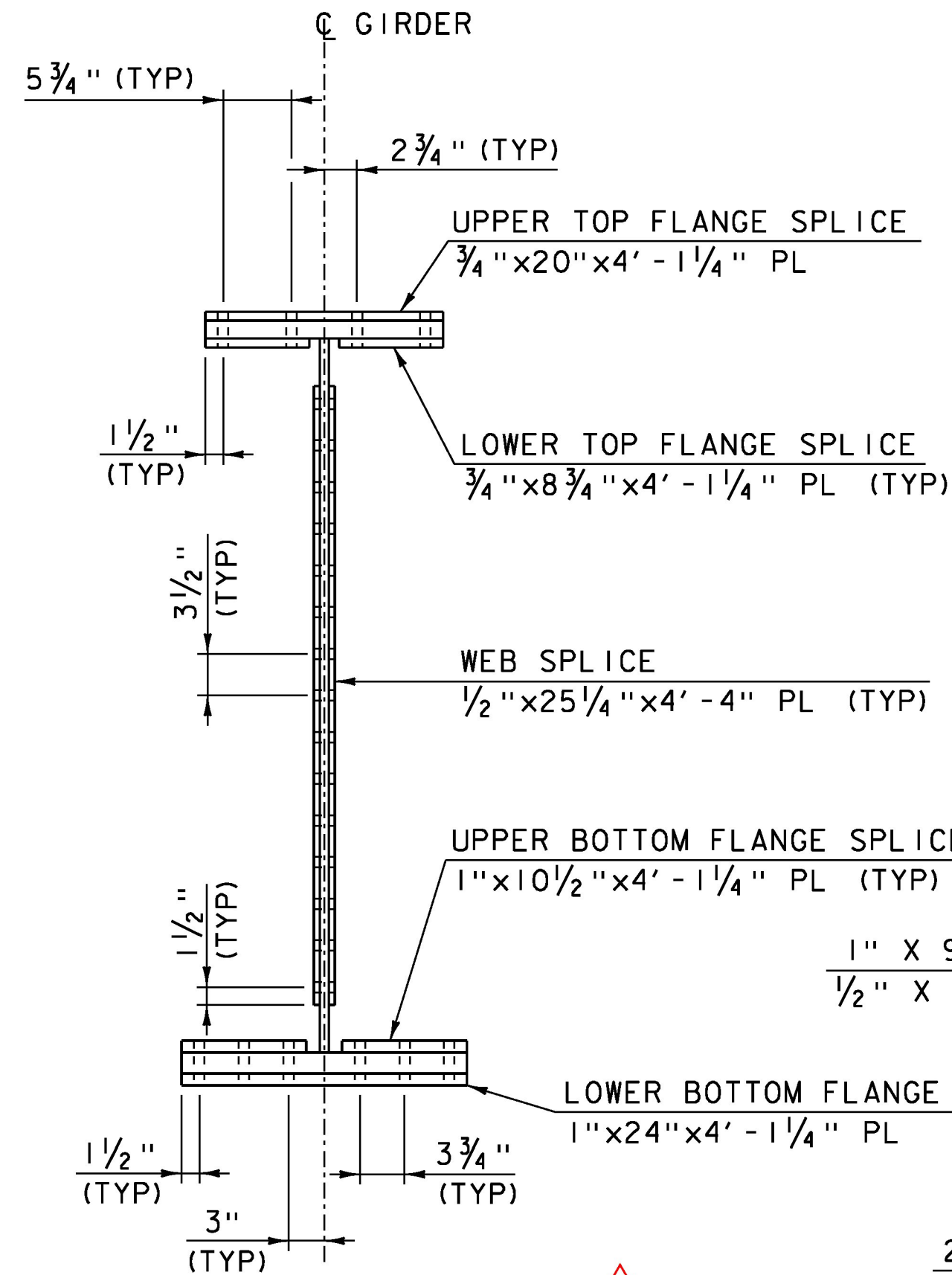


SPLICE ELEVATION
SCALE: 1" = 1'-0"

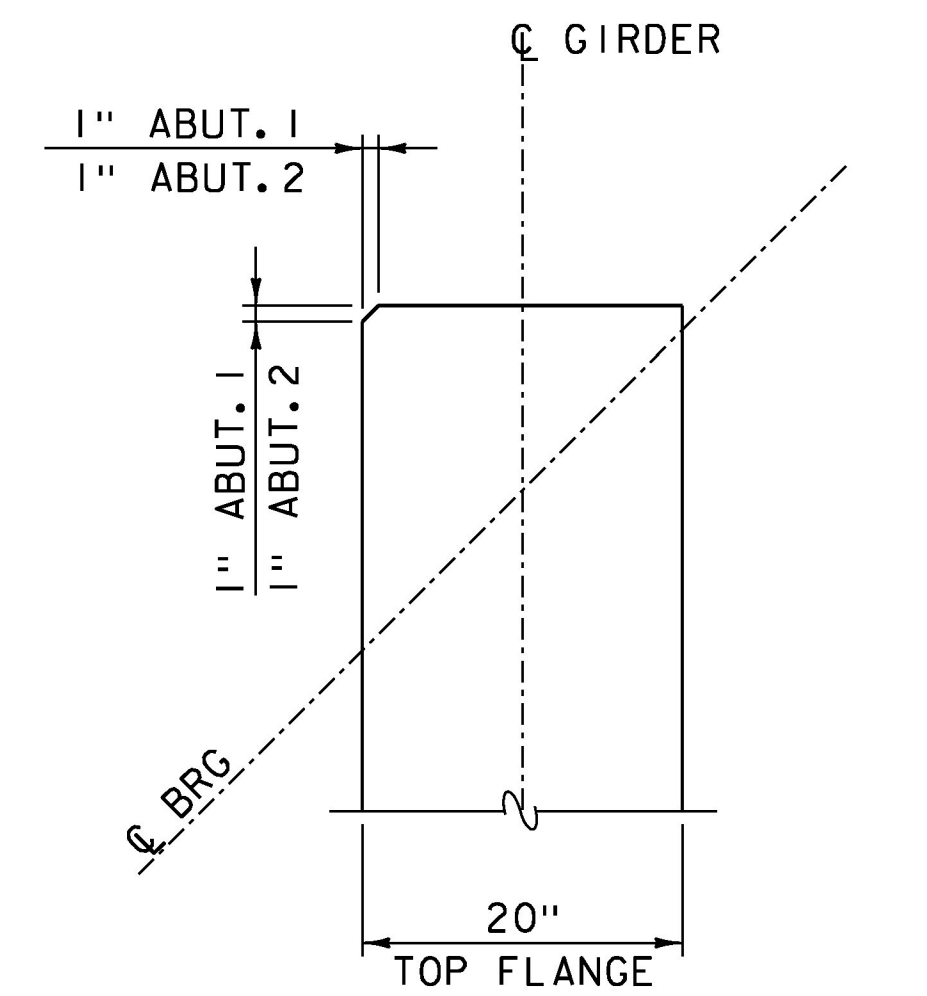


NOTE:
UPPER BOTTOM FLANGE SPLICE
SHALL BE SIMILAR

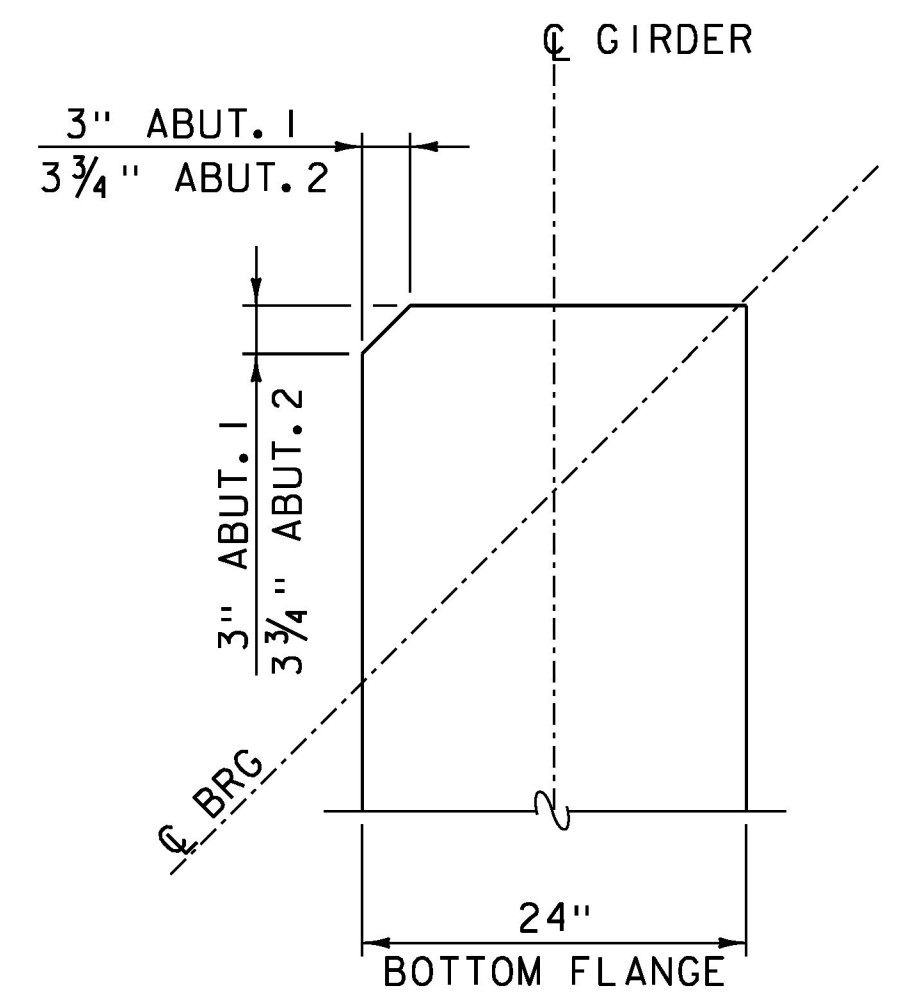
LOWER BOTTOM FLANGE SPLICE
SCALE: 1" = 1'-0"



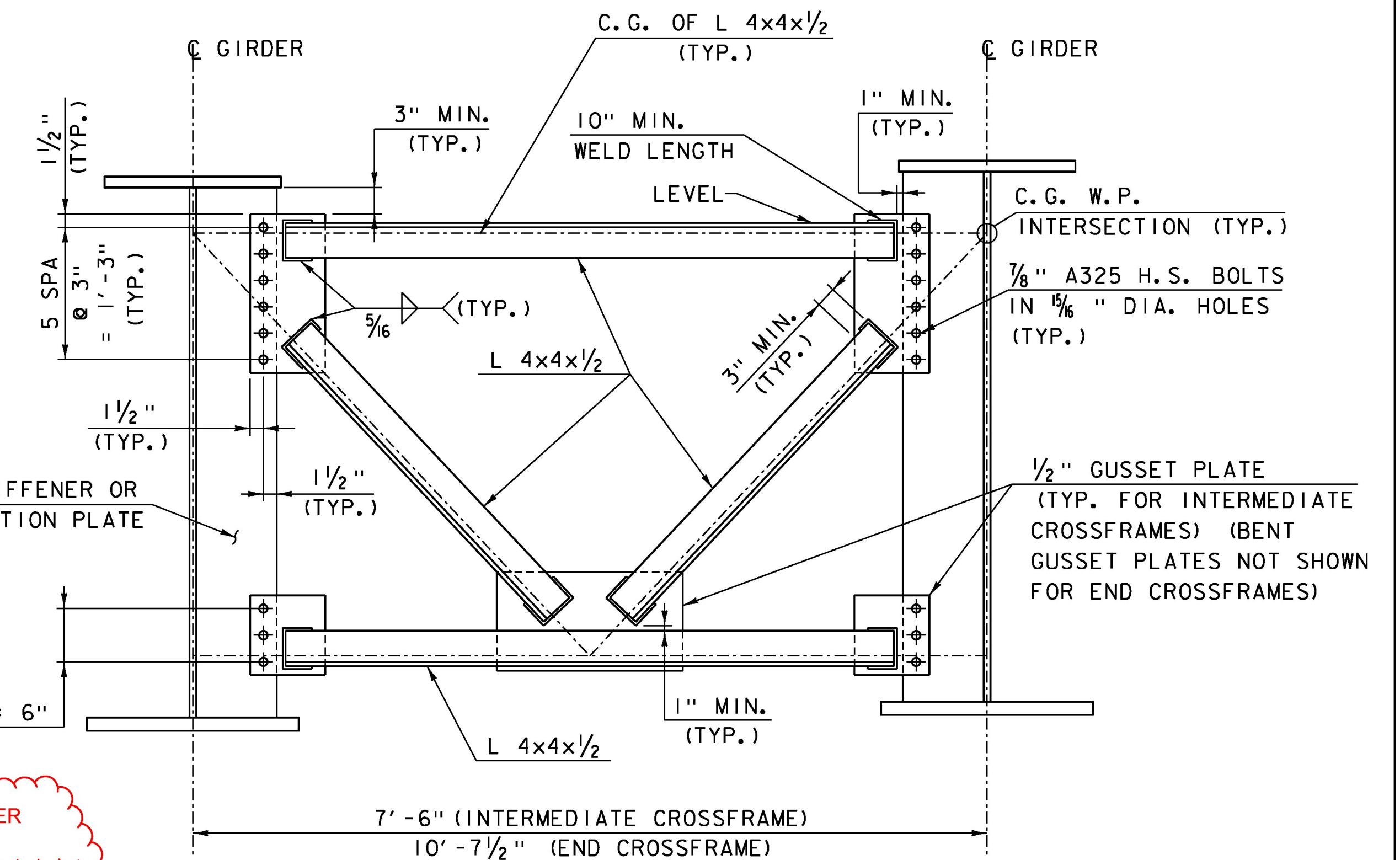
SPLICE SECTION
SCALE: 1" = 1'-0"



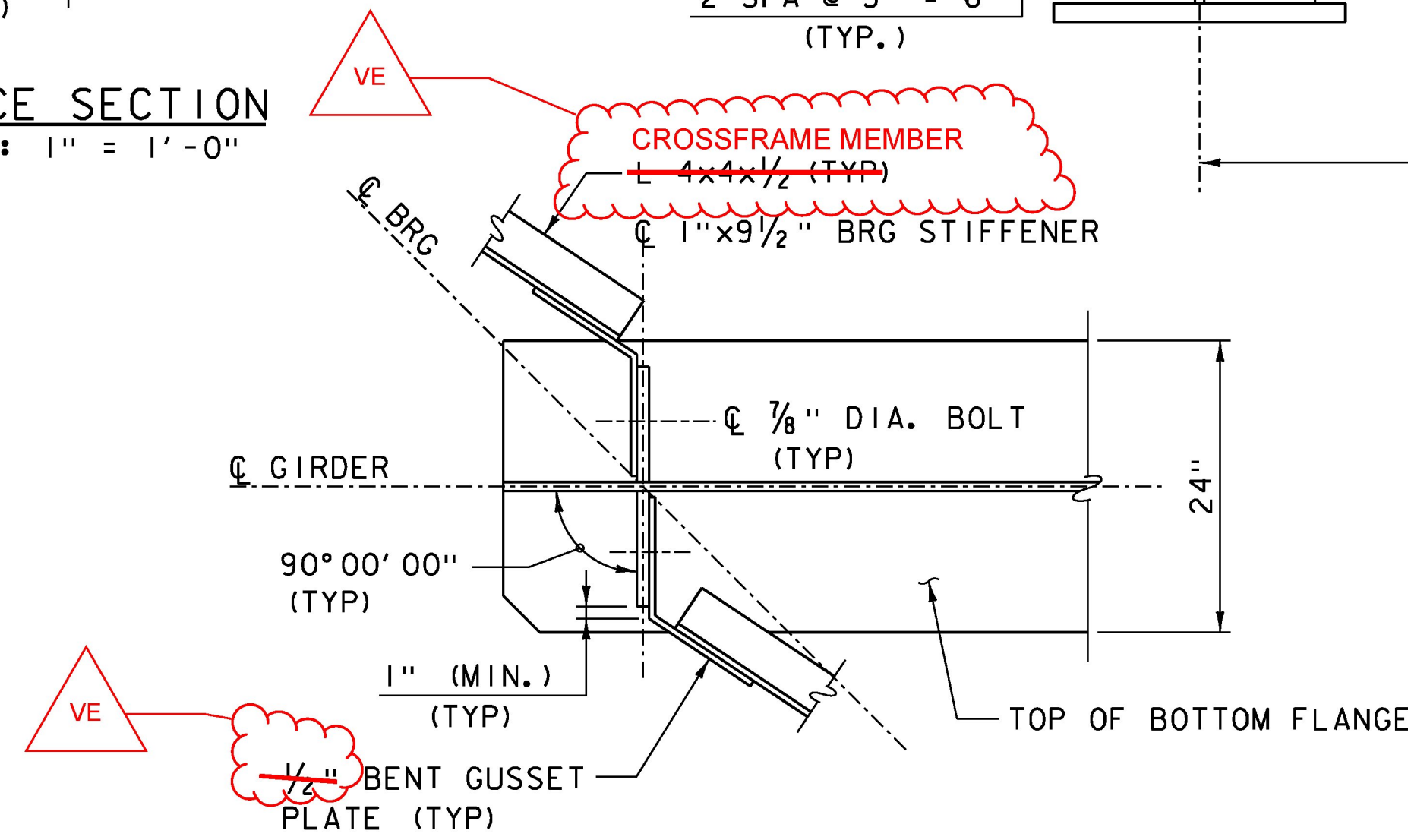
TOP FLANGE CLIP DETAIL
SCALE: 1" = 1'-0"



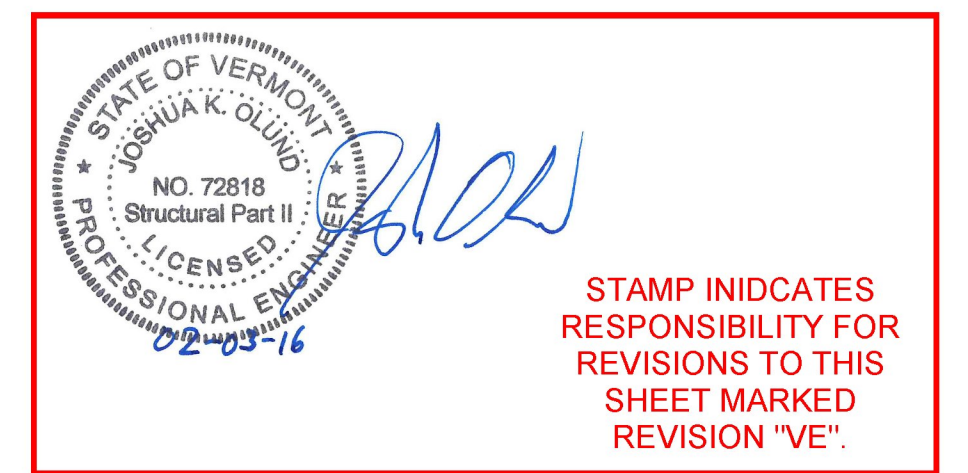
BOTTOM FLANGE CLIP DETAIL
SCALE: 1" = 1'-0"



CROSSFRAME DETAIL
(INTERMEDIATE CROSSFRAME SHOWN)
SCALE: 1" = 1'-0"



BENT CONNECTION PLATE DETAIL
SCALE: 1" = 1'-0"



STAMP INDICATES
RESPONSIBILITY FOR
REVISIONS TO THIS
SHEET MARKED
REVISION "VE".

REV	DATE	DESCRIPTION
VE	02/03/16	MODIFICATIONS FOR CHANGED CROSSFRAME AT ABUT 2

PROJECT NAME:	WAITSFIELD
PROJECT NUMBER:	BRF 013-4(39)
FILE NAME:	z12b136sup_gird.dgn
PROJECT LEADER:	R.YOUNG
DESIGNED BY:	D.KULL
MISCELLANEOUS GIRDER DETAILS	
PLOT DATE:	8/24/2015
DRAWN BY:	S.MERKWAN
CHECKED BY:	T.KENDRICK
SHEET	31 OF 69

