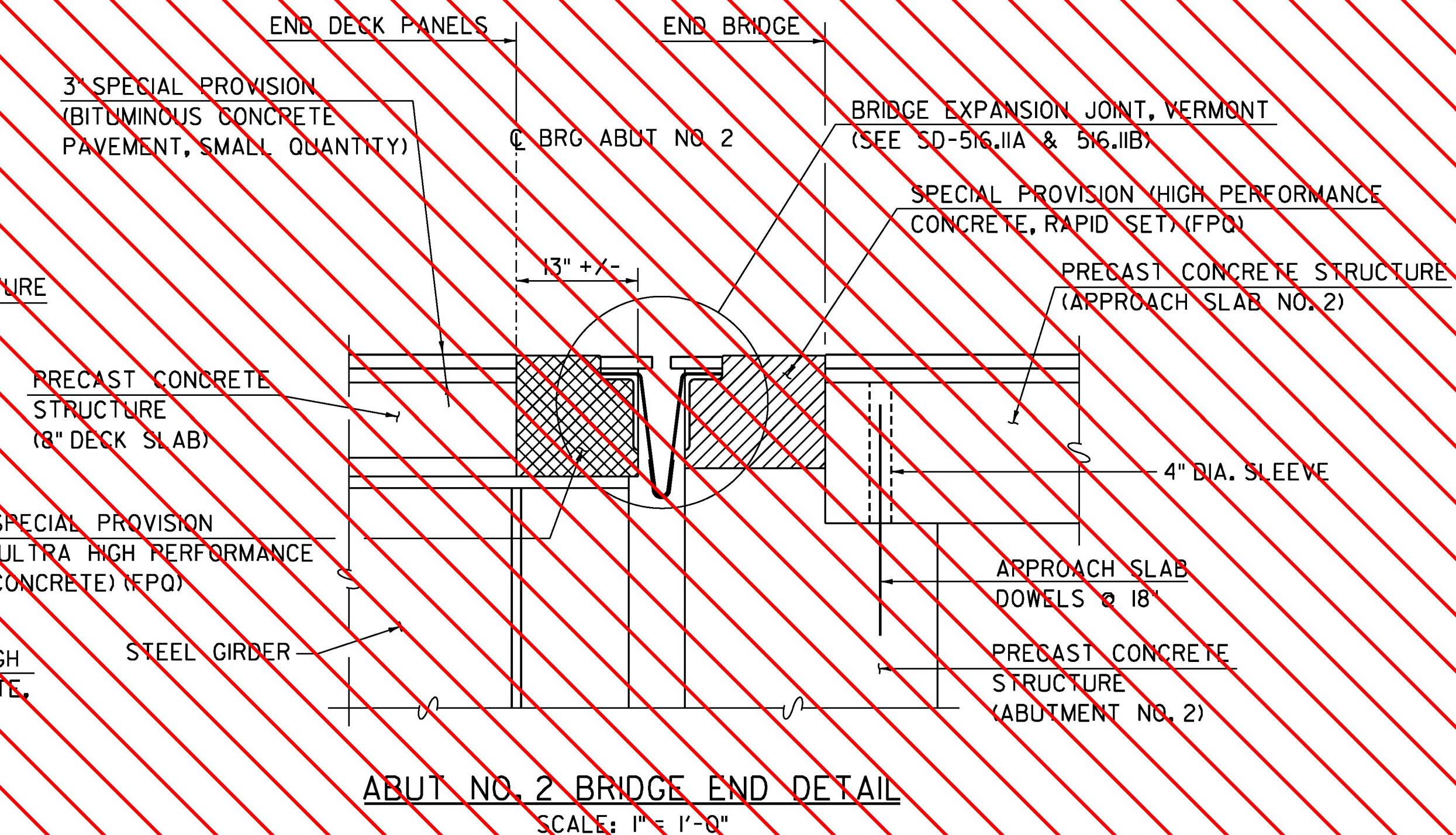
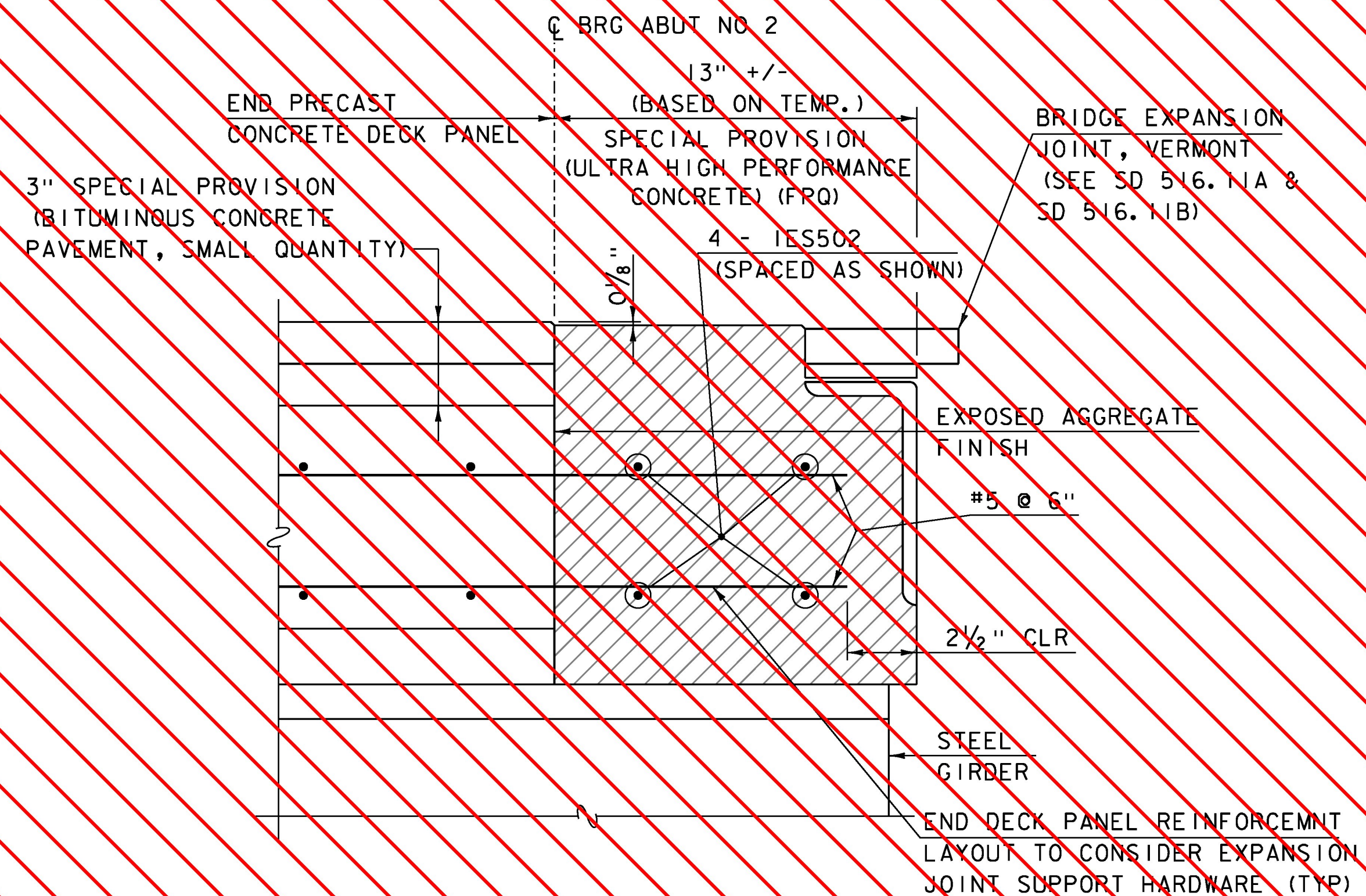


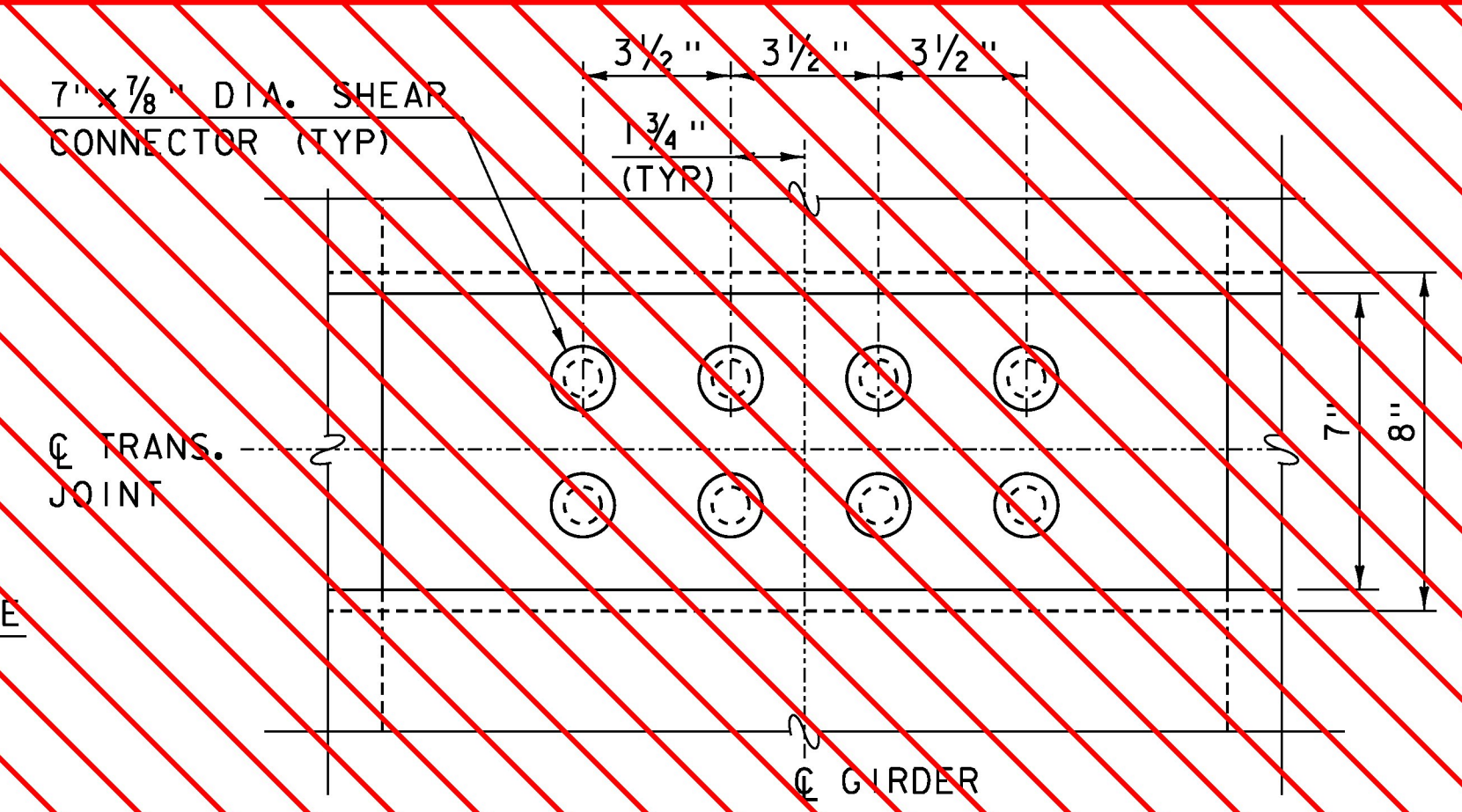
**ABUT. NO. 1 BRIDGE END DETAIL**  
SCALE: 1" = 1'-0"



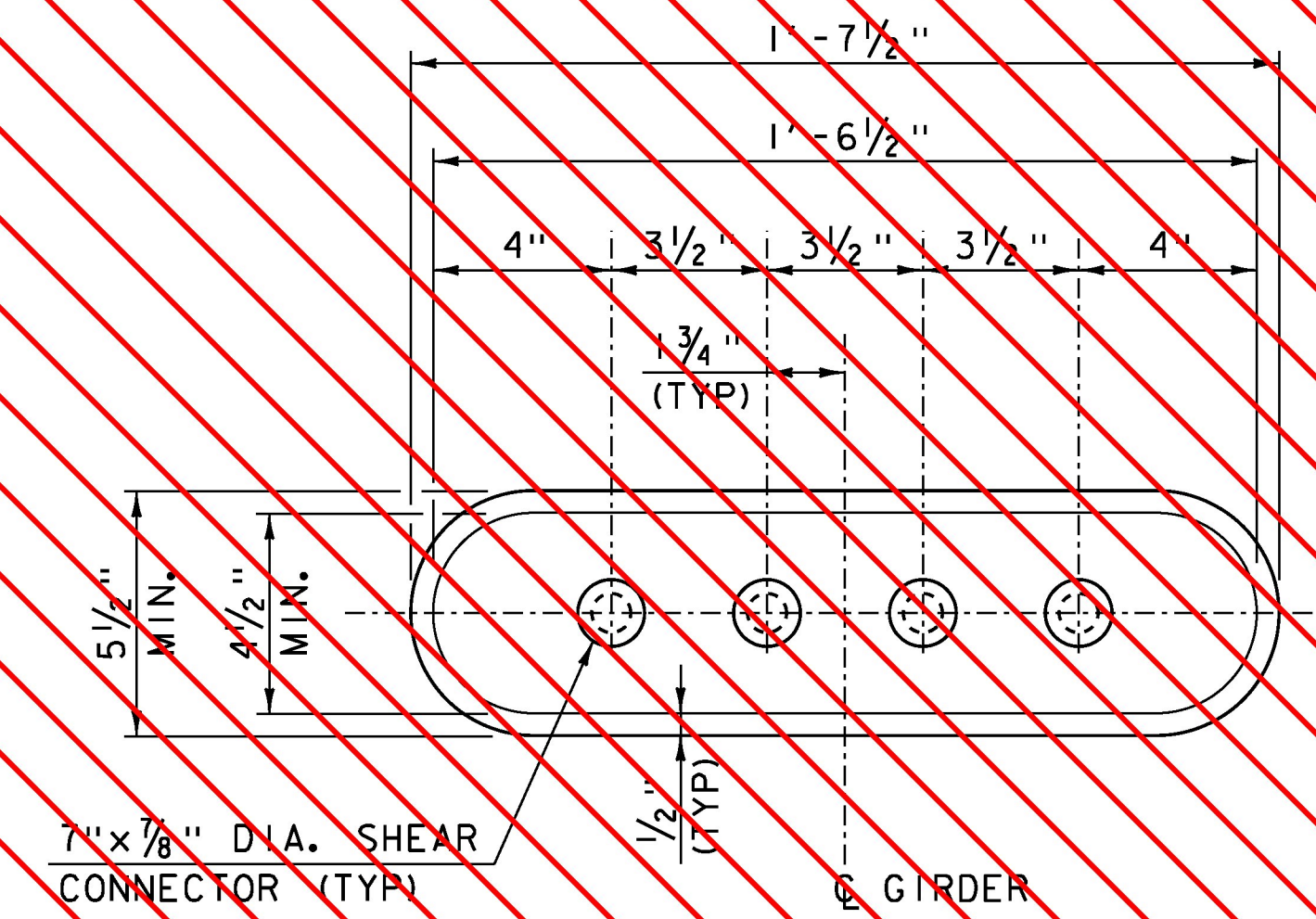
**ABUT. NO. 2 BRIDGE END DETAIL**  
SCALE: 1" = 1'-0"  
(VT JOINT HARDWARE NOT SHOWN FOR CLARITY)



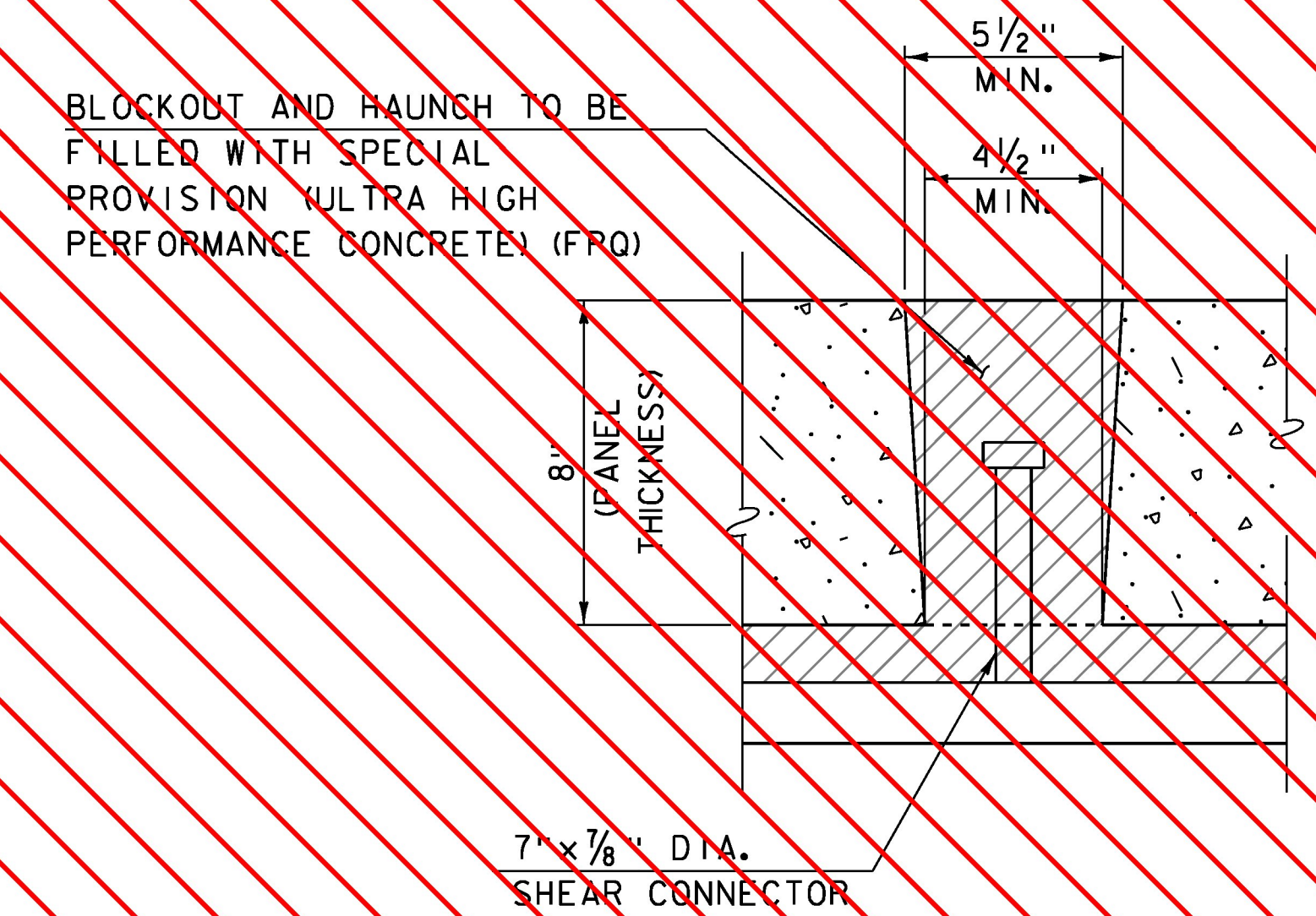
**ABUTMENT NO. 2 DECK END SECTION**  
SCALE: 3" = 1'-0"  
NOTE: VERMONT EXPANSION JOINT HARDWARE NOT SHOWN FOR CLARITY



**TRANSVERSE JOINT CONNECTOR LAYOUT**  
SCALE: 3" = 1'-0"



**SHEAR CONNECTOR BLOCKOUT PLAN**  
SCALE: 3" = 1'-0"



**SHEAR CONNECTOR BLOCKOUT SECTION**  
SCALE: 3" = 1'-0"

**SHEET NOT USED**

REV	DATE	DESCRIPTION
1	10/13/2015	SHEET NUMBER REVISION



PROJECT NAME:	WAITSFIELD	PLOT DATE:	10/13/2015
PROJECT NUMBER:	BRF 013-4(39)	DRAWN BY:	S.MERKWAN
FILE NAME:	z12b136sup.dwg	CHECKED BY:	T.KENDRICK
PROJECT LEADER:	R.YOUNG	SHEET	28A OF 69
DESIGNED BY:	D.KULL	MISCELLANEOUS DECK DETAILS 3	