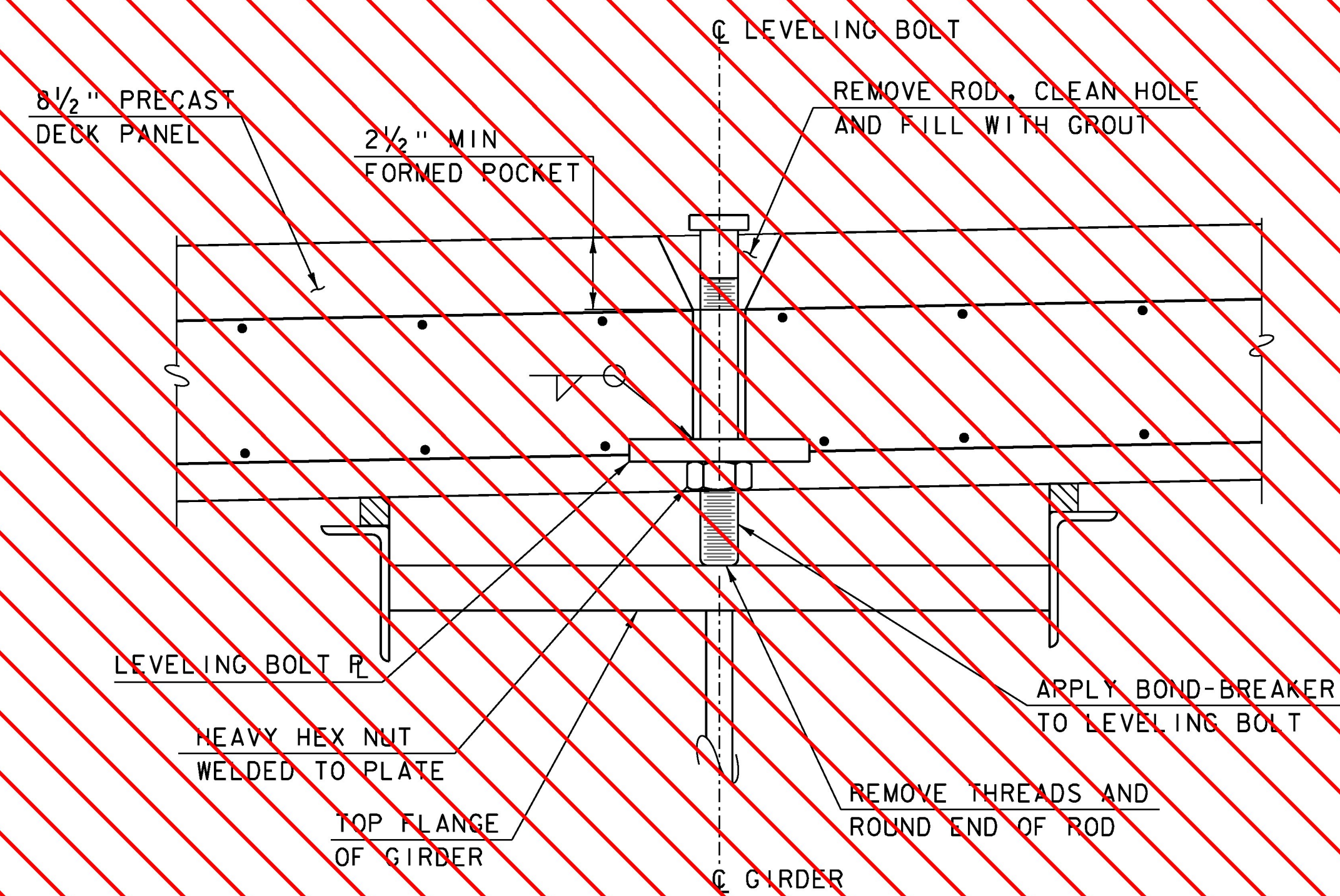


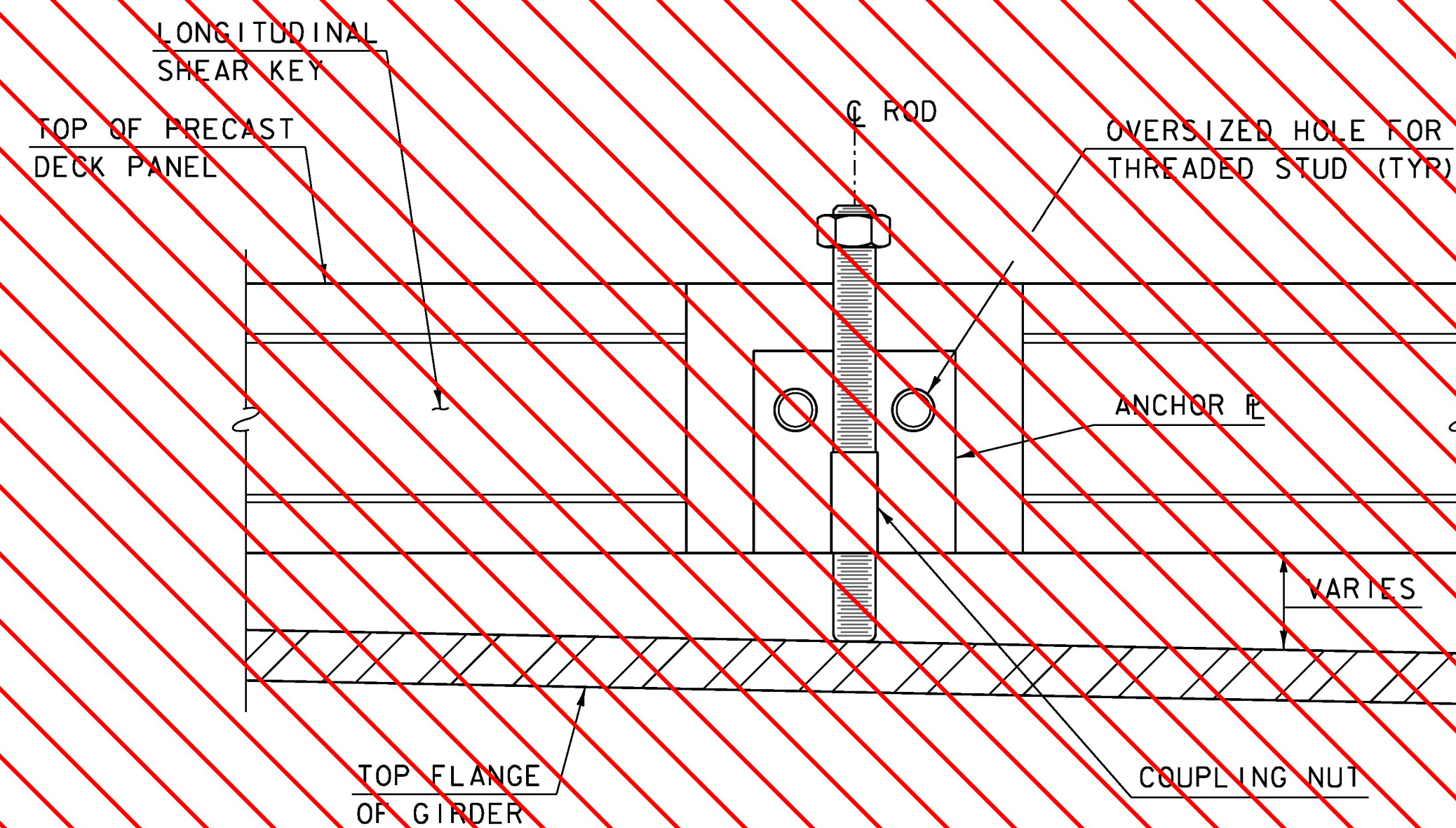
△ ALTERNATE LONGITUDINAL CLOSURE POUR SECTION

(OVER GIRDERS 2 & 4)
SCALE: 3" = 1'-0"
NOTE: UHPC NOT SHOWN FOR CLARITY



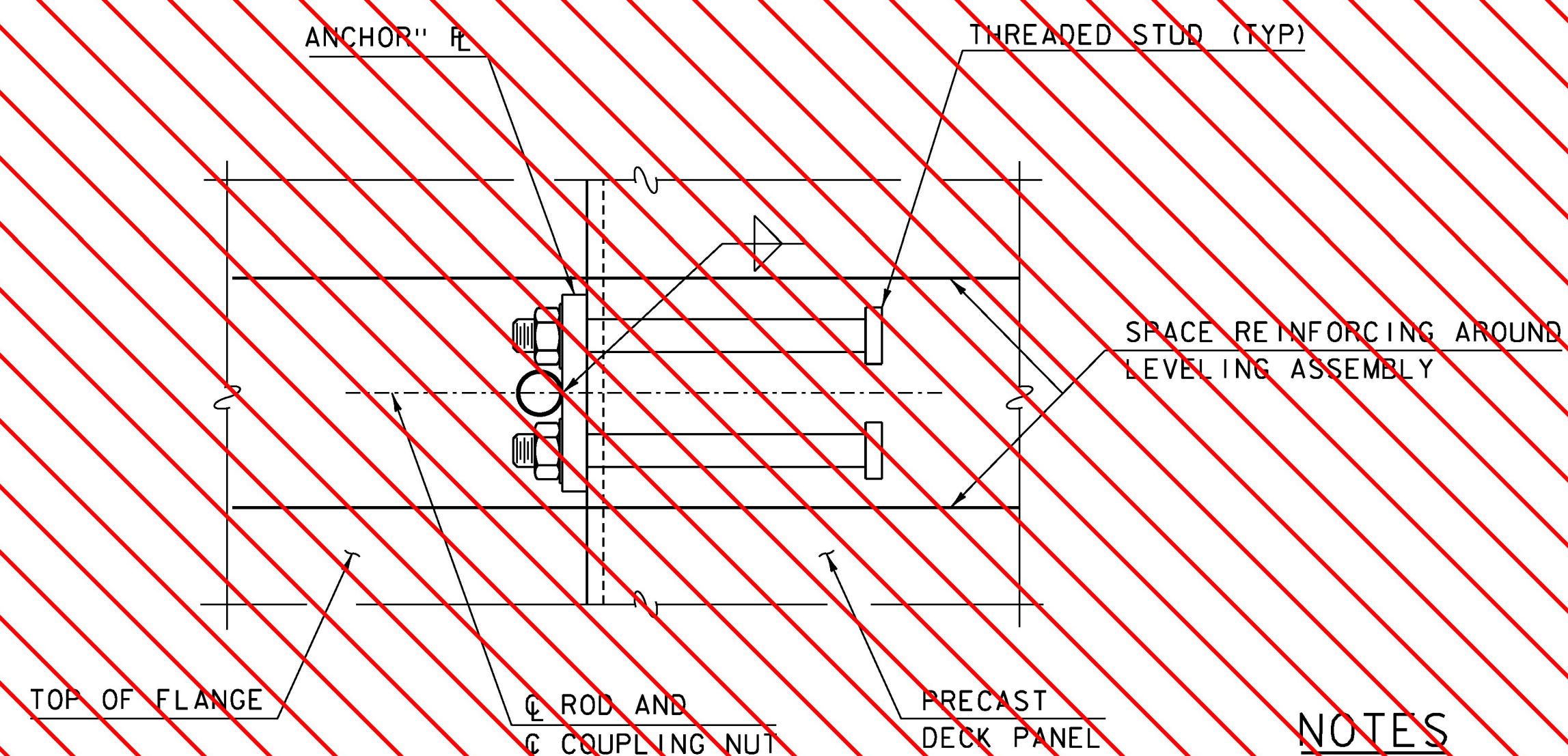
△ ALTERNATE INTERIOR VERTICAL ADJUSTMENT ASSEMBLY DETAIL

(OVER GIRDERS 1, 3 & 5)
SCALE: 3" = 1'-0"
NOTE: UHPC NOT SHOWN FOR CLARITY



△ SECTION A-A

SCALE: 3" = 1'-0"
NOTE: UHPC NOT SHOWN FOR CLARITY



△ SECTION B-B

SCALE: 3" = 1'-0"
NOTE: UHPC NOT SHOWN FOR CLARITY

NOTES

- LEVELING BOLT DETAIL SHOWN IS CONCEPTUAL. THE CONTRACTOR IS RESPONSIBLE FOR THE DESIGN AND DETAILING OF THE LEVELING DEVICE BASED ON THE WEIGHT OF THE PRECAST UNIT AND THE NUMBER OF DEVICES.

REV	DATE	DESCRIPTION
1	10/13/2015	ALTERNATE CLOSURE POUR ADDITION
2	10/13/2015	SHEET ADDITION

PROJECT NAME: WAITSFIELD
PROJECT NUMBER: BRP 013-4(39)

FILE NAME: z12b136sup.dwg
PROJECT LEADER: R. YOUNG
DESIGNED BY: D. KULL
MISCELLANEOUS DECK DETAILS 2

PLOT DATE: 10/13/2015
DRAWN BY: S. MERKWAN
CHECKED BY: T. KENDRICK
SHEET 28 OF 69

SHEET NOT USED

