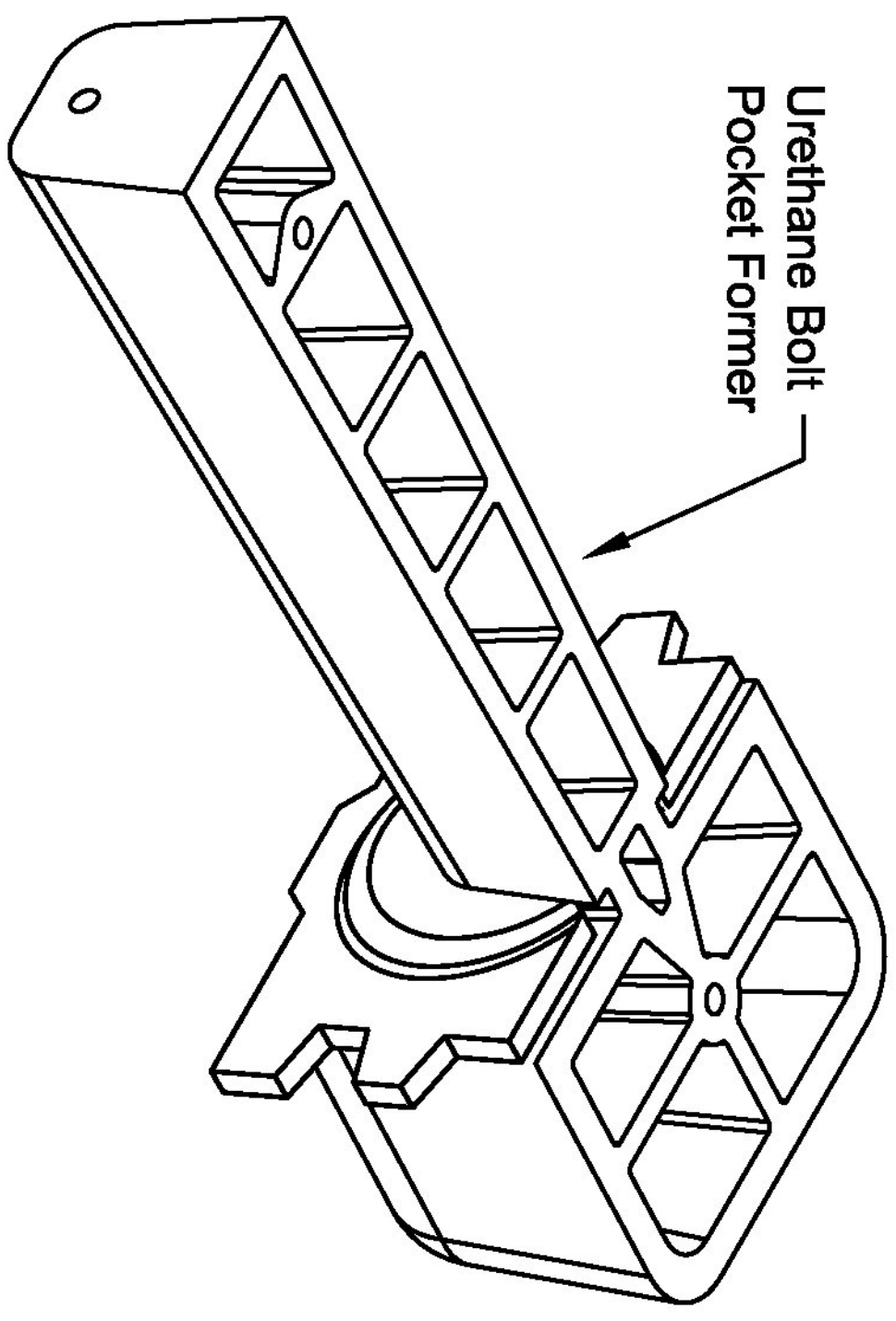
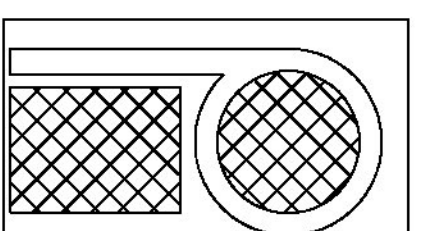


Fax to:	Customer
Fax#	Project
From	Job#
Date	PA Insert Quote/Order#
	Ship Date
	Page ___ of ___

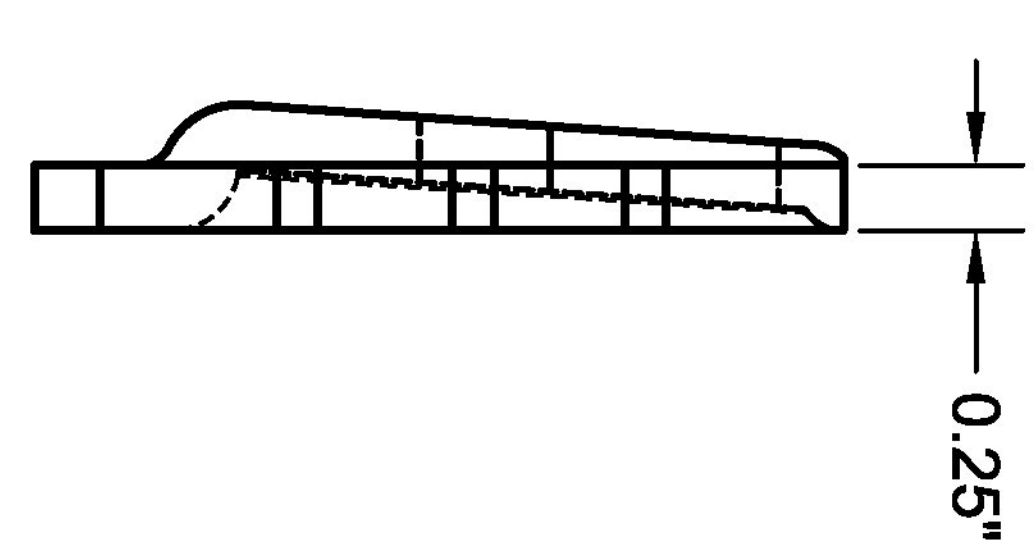
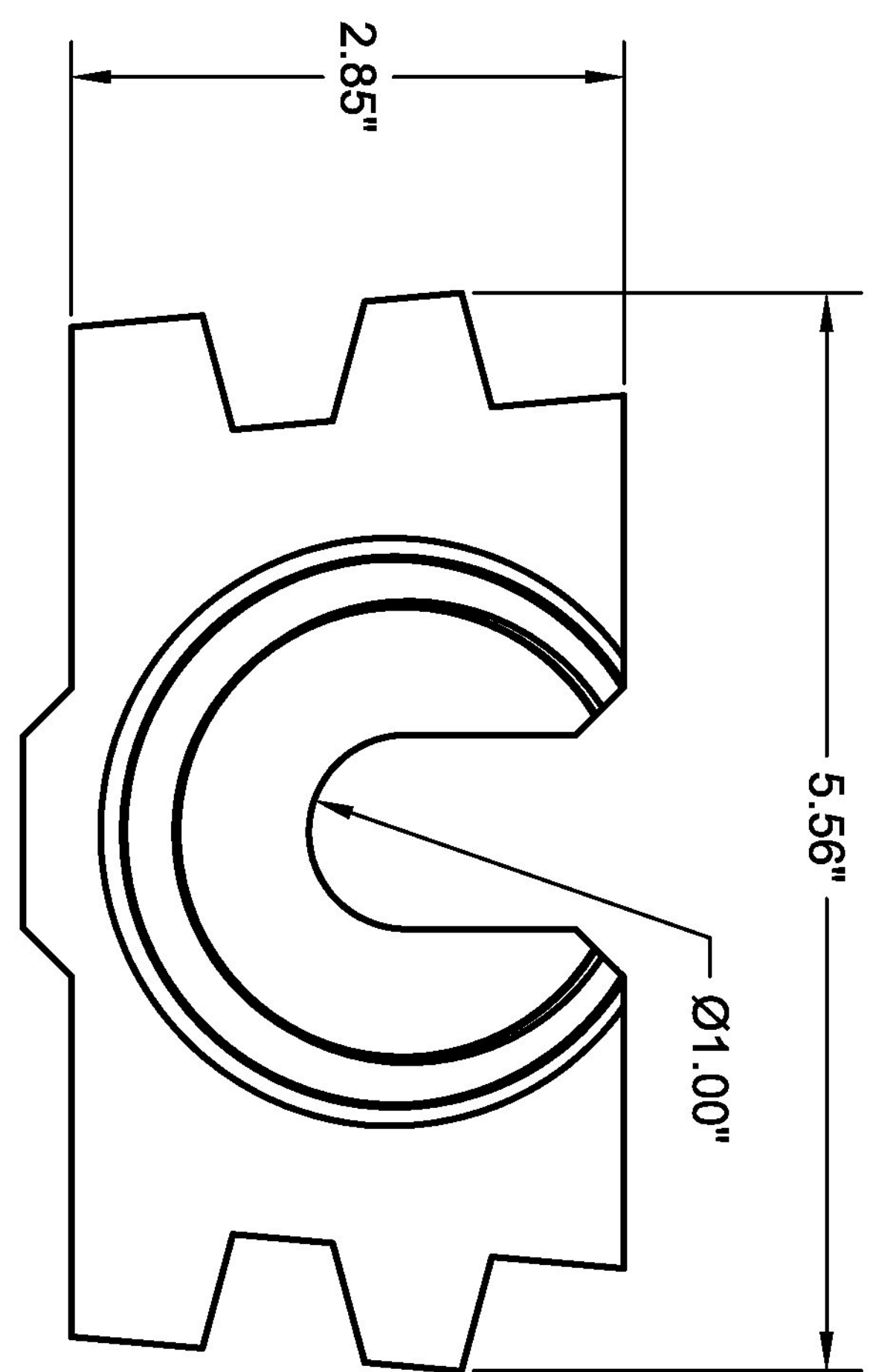
Approved/Notes

PA Insert Corp
 PO Box 199
 Spring City PA 19475
 tel: 610-948-9688
 fax: 610-948-9750
 email: sales@pennsylvaniainsert.com
 web: www.pennsylvaniainsert.com



BOLT POCKET PLATE (use with bolt pocket former)

- *1/4" Galvanized Steel Plate Standard, distributes bolt load
- Teeth anchor plate securely in concrete
- Pressed center keeps bolt in position
- **Fits securely into reusable bolt pocket former



*Plain Steel or Stainless Steel Optional
 **Urethane Bolt Pocket Former sold separately (part number 4023)

Vermont Agency of Transportation
RECEIVED
 CK'D BY CLB OK'D BY CWC
 February 16, 2018
 RESUBMIT No Approved _____
 BY C. CARLSON DATE 02/16/18