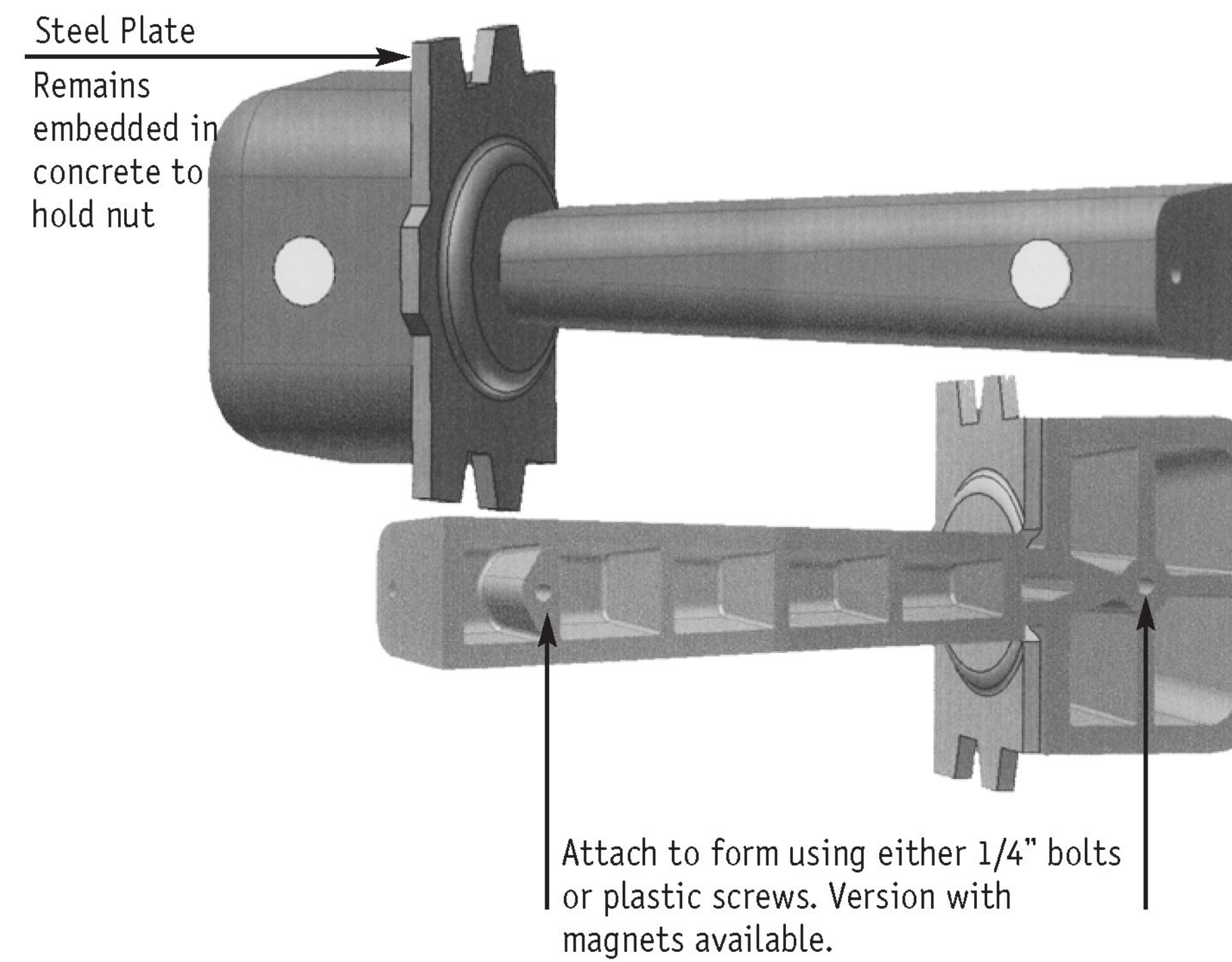


> BOLT POCKET FORMER



Introducing our Bolt Pocket Former – the ideal solution for tying together sections of box culvert or precast walls. This dual purpose forming device creates both a groove through the joint and a pocket for the bolt. The steel plate that remains embedded in the concrete accepts up to 1" rod. Molded out of a specially formulated urethane, our bolt pocket former will last for at least 50 pours when properly maintained. Call for more details and pricing information.



phone: 800.220.4857 sales@pennsylvaniainsert.com fax: 610.948.9750

Vermont Agency of Transportation
RECEIVED

ete producers for over 30 years

CK'D BY CLB OK'D BY CWC

February 16, 2018

RESUBMIT No Approved
BY C. CARLSON DATE 02/16/18