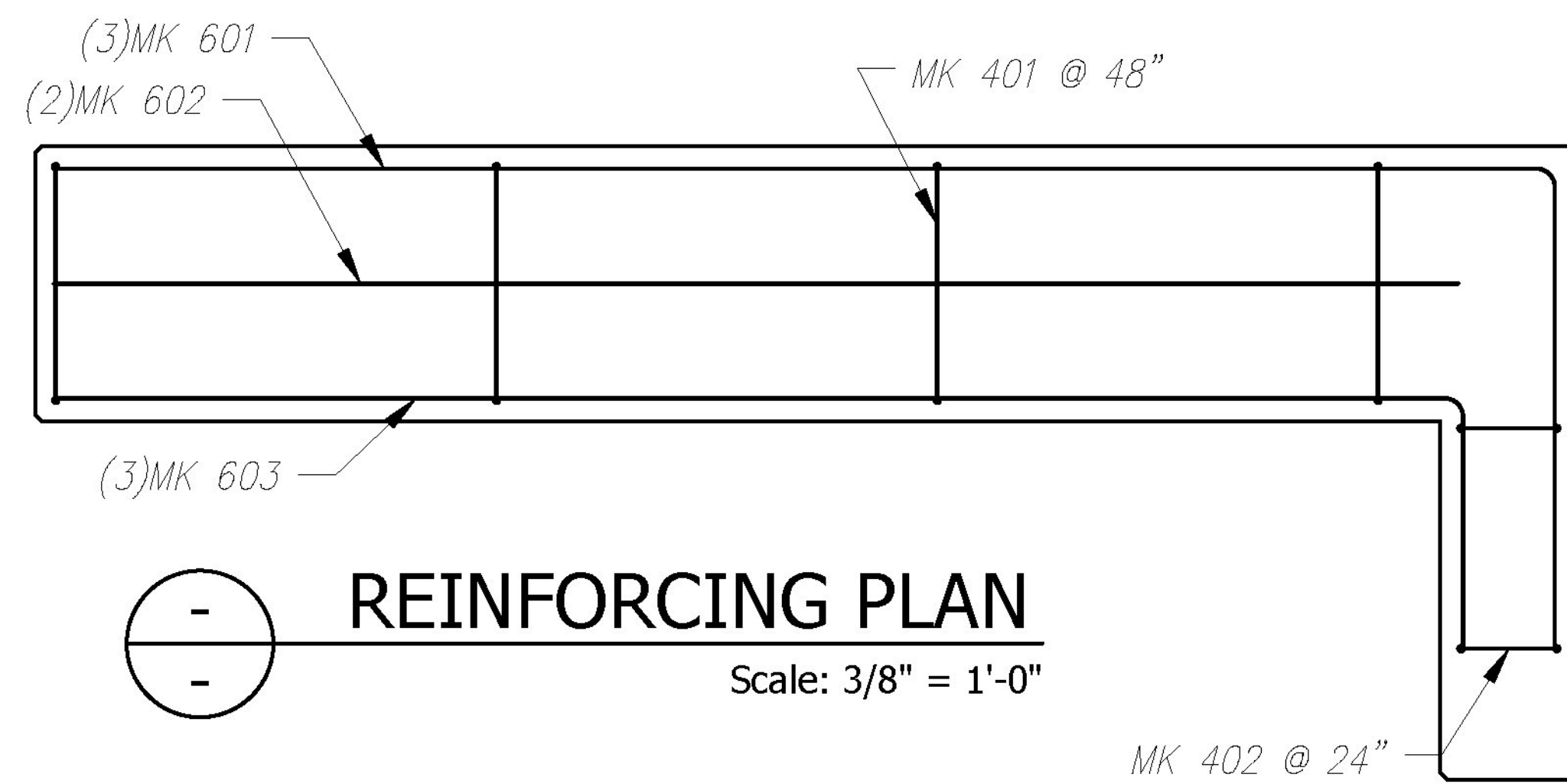
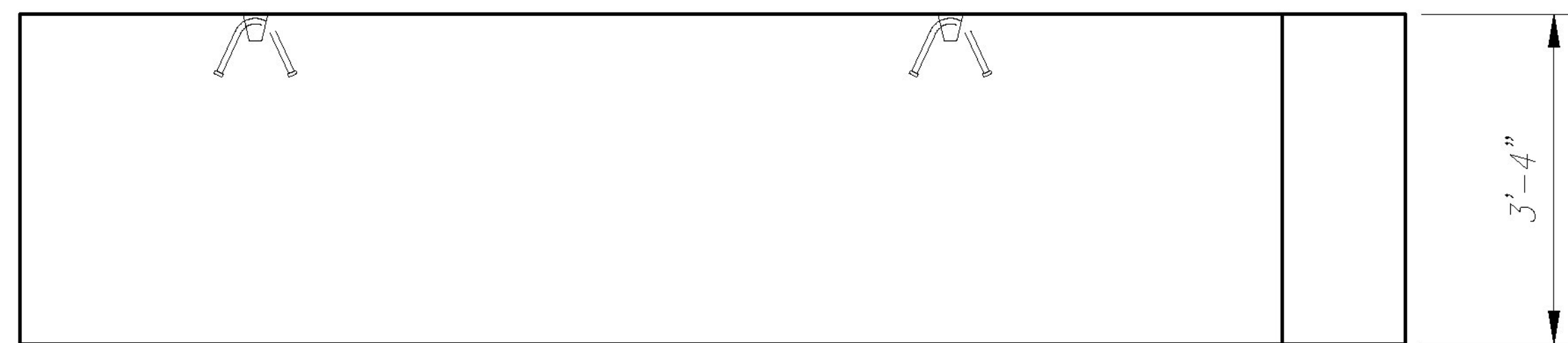


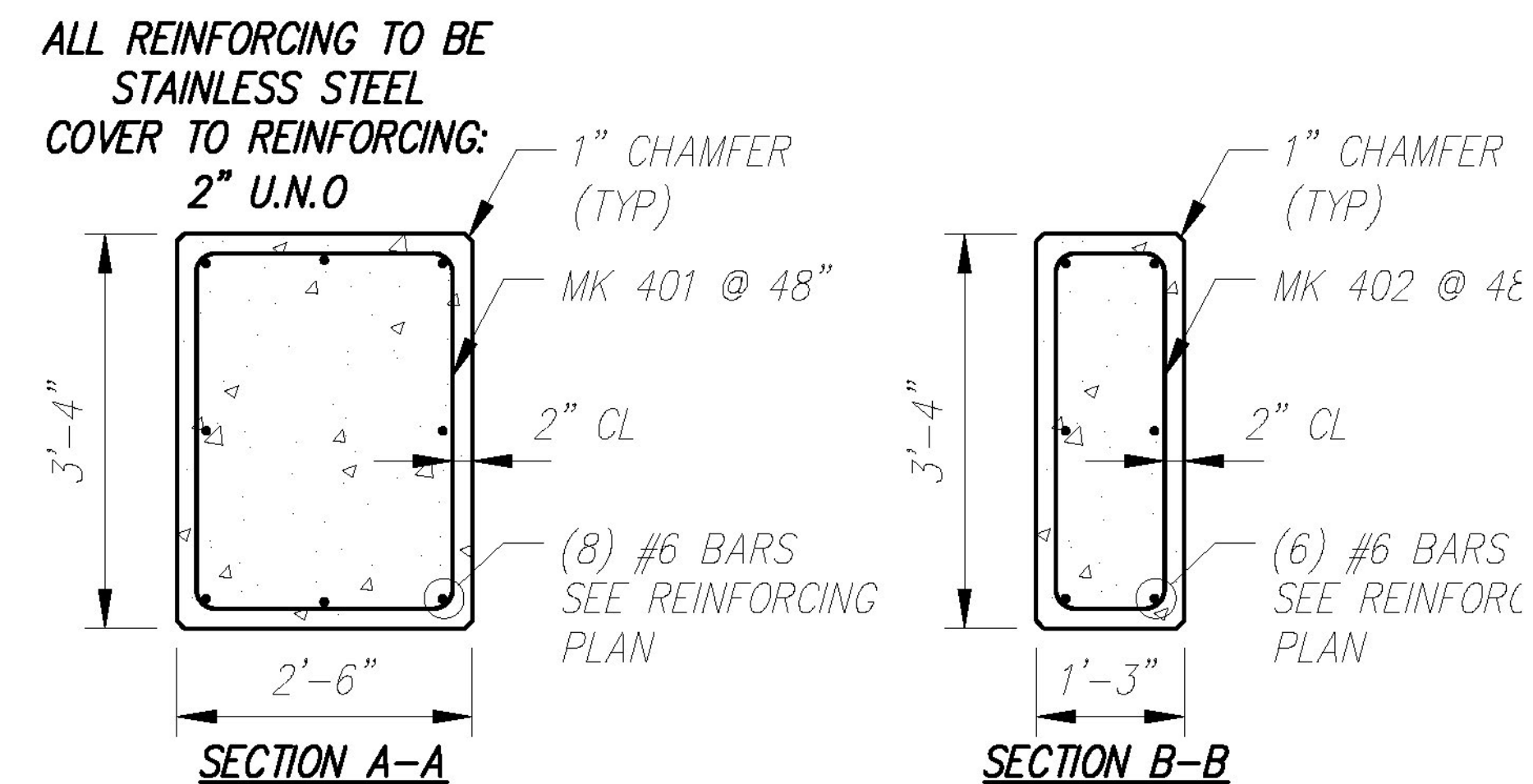
PLAN VIEW
Scale: 3/8" = 1'-0"



REINFORCING PLAN
Scale: 3/8" = 1'-0"

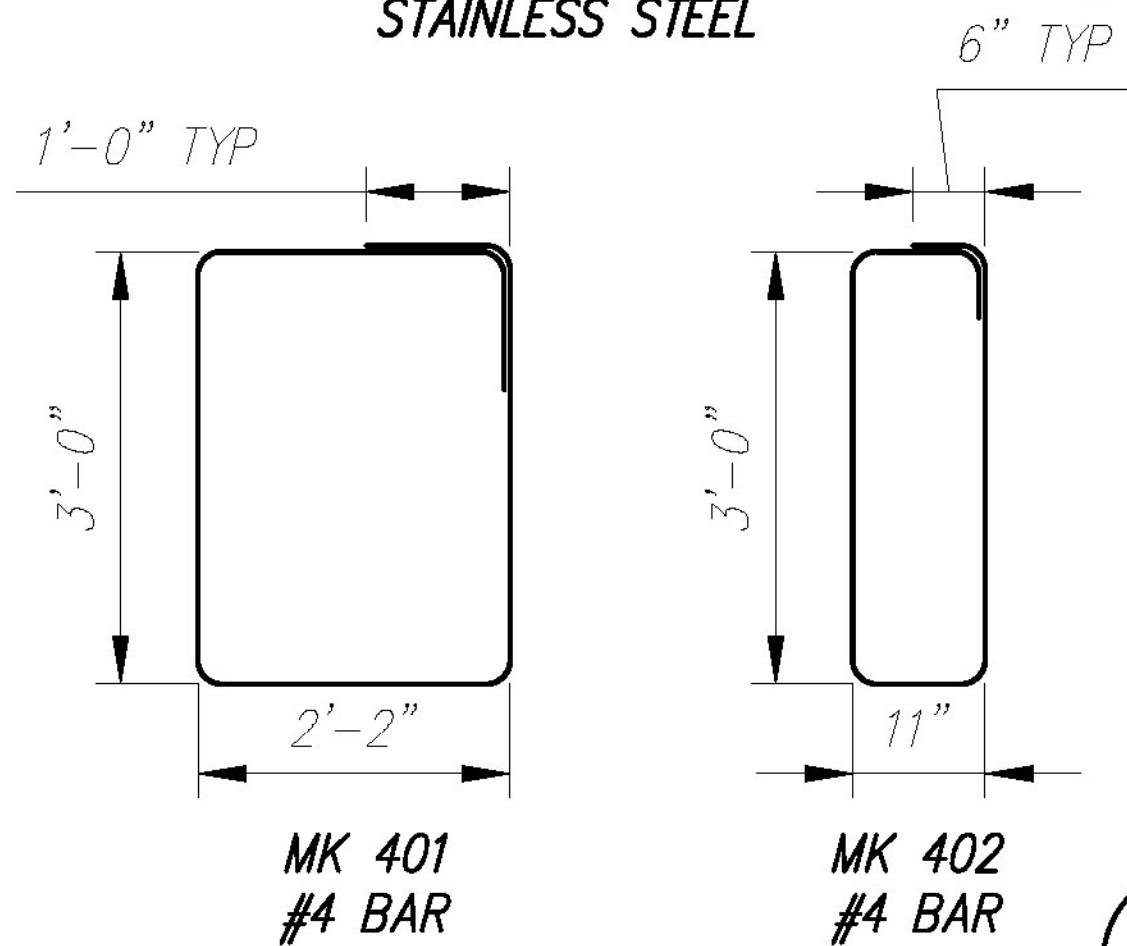


ELEVATION
Scale: 3/8" = 1'-0"

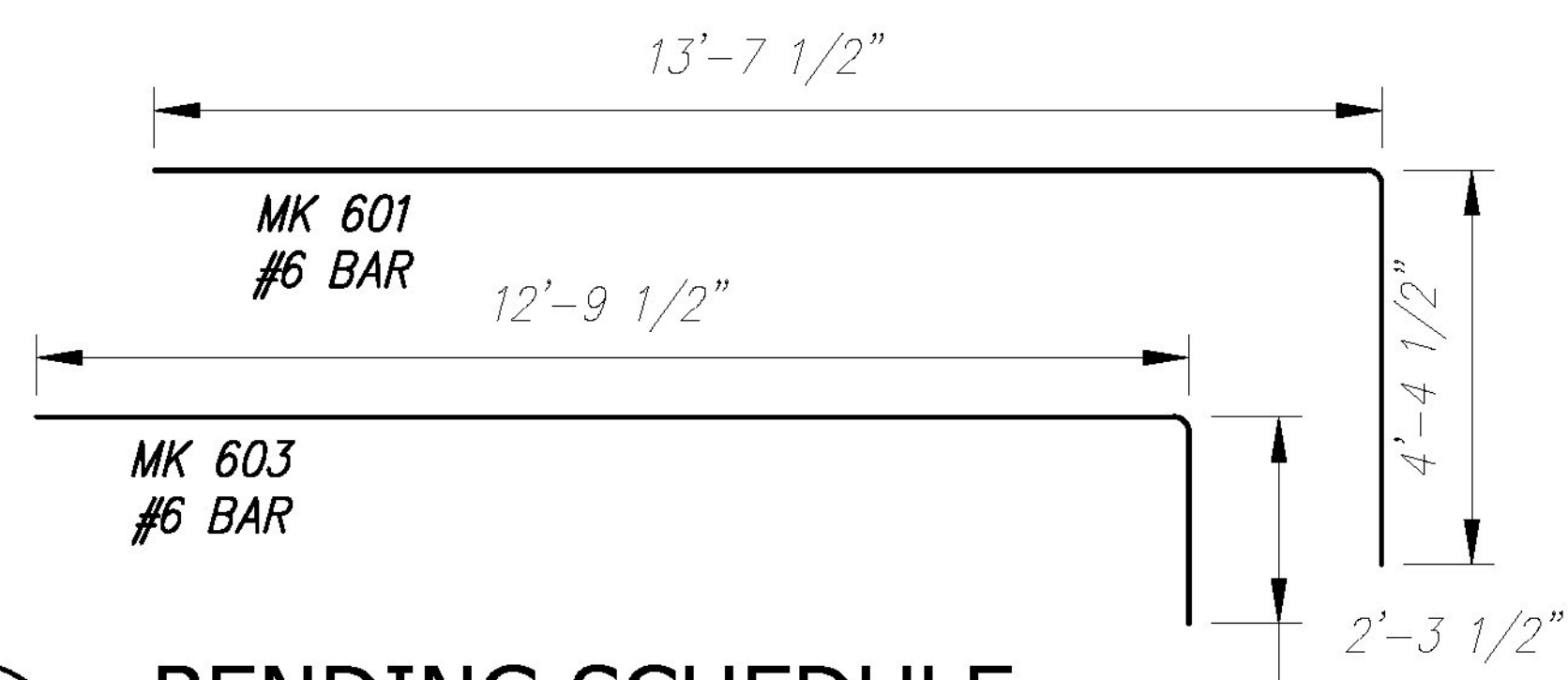


REINFORCING SECTION
Scale: 3/8" = 1'-0"

ALL REINFORCING TO BE STAINLESS STEEL



BENDING SCHEDULE
Scale: N.T.S.



Vermont Agency of Transportation
RECEIVED

CK'D BY CLB OK'D BY CWC

February 16, 2018

RESUBMIT NO Approved
BY C. CARLSON DATE 02/16/18

All Rebar to be Stainless Steel

Rebar Schedule			
MK	QTY	LENGTH	
401 #4	4	12' - 4"	
402 #4	2	8' - 10"	
601 #6	3	18' - 0"	
602 #6	2	12' - 9"	
603 #6	3	15' - 1"	

F4 - BILL OF MATERIALS / EMBEDS				
CSI ID#	DESCRIPTION	QTY	UM	COMMENTS
DTJ	CERTI-VEX PENSEAL 244 40% AIM	0.80	GA	
DTJ	REBAR #4 STAINLESS STEEL	45	EA	
DTJ	REBAR #6 STAINLESS STEEL	187	EA	
EM-00115	UTILITY ANCHOR 8" - GALVANIZED	4	EA	
MX-FA5000SC30	MIX DSGN - FLY ASH - 5000 - SELF COMPACT	4.82	CY	

Rev.	Date	DESCRIPTION	By
4	12/13/17	NO CHANGES TO THIS SHEET	BSS
3	12/01/17	NO CHANGES TO THIS SHEET	BSS
2	11/02/17	NO CHANGES TO THIS SHEET	BSS
1	08/17/17	REV PER CUSTOMER REVIEW	BSS

Rev	Date	DESCRIPTION	By
6			
5	01/31/18	REV FOOTING DIMENSIONS	BSS

CONCRETE SYSTEMS INC.
9 Commercial Street
Hudson, New Hampshire 03051
(800) 342-3374 (603) 889-4163
FAX (603) 889-0039 www.csigroup.com

Drawn By: B. SKELTON Date: 07/10/2017
Reviewed By: B.K./M.S. Date: 07/17/2017
Approved By: B. SKELTON Date: 01/03/2018

FABRICATION DRAWING F4
Drawing No. C23199-F4
Quantity: 1 Weight (Tons): 9.45 SHEET 20

REV 5