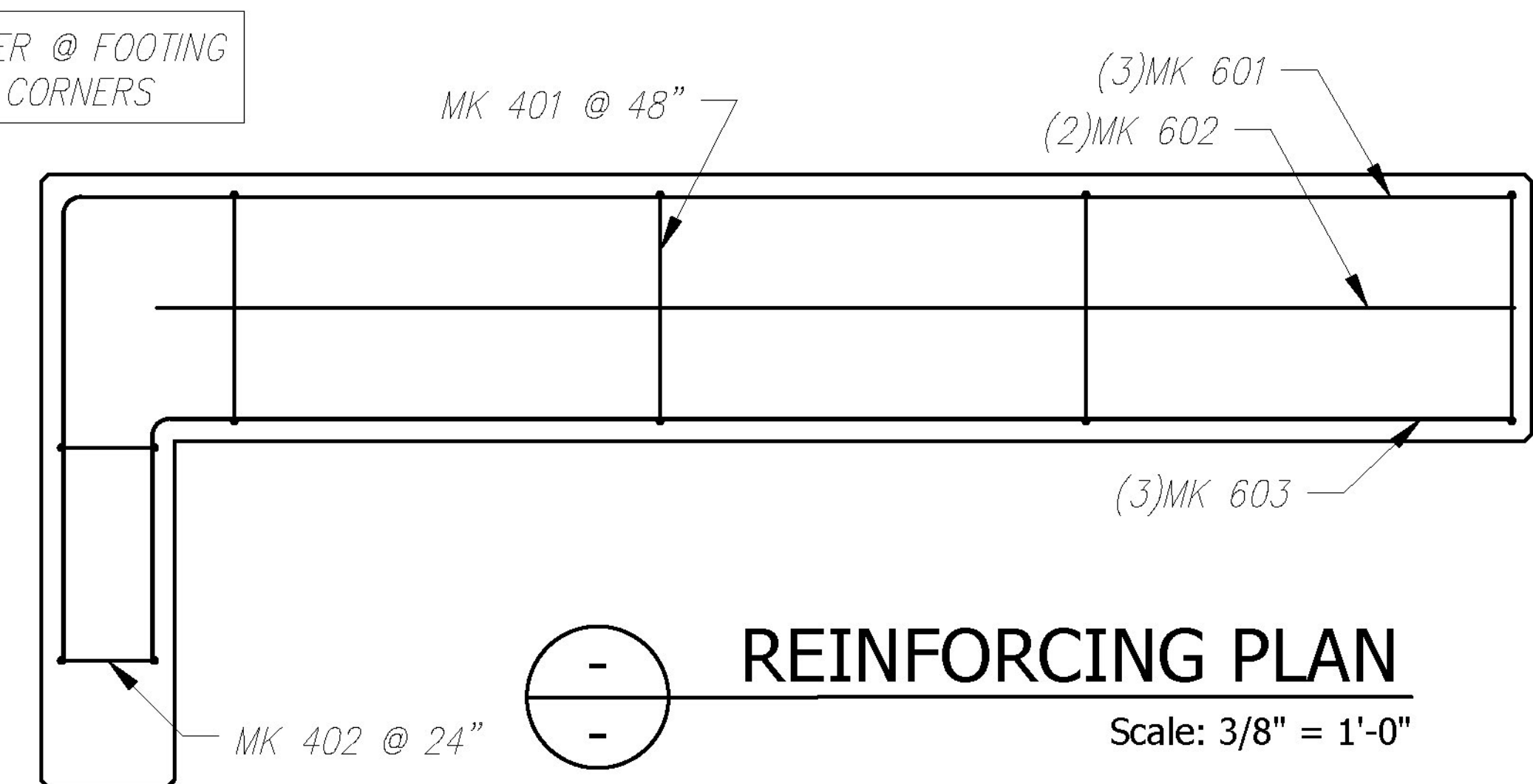
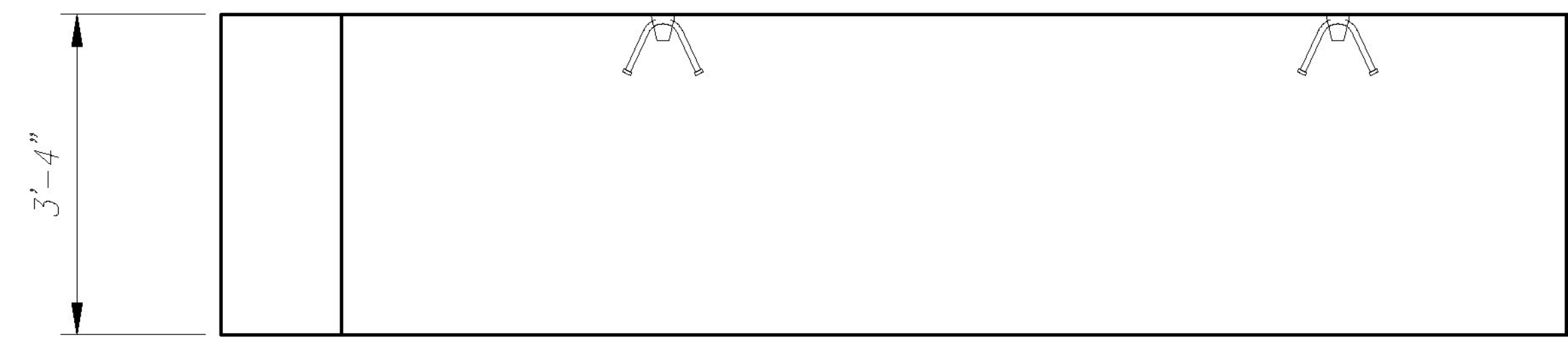


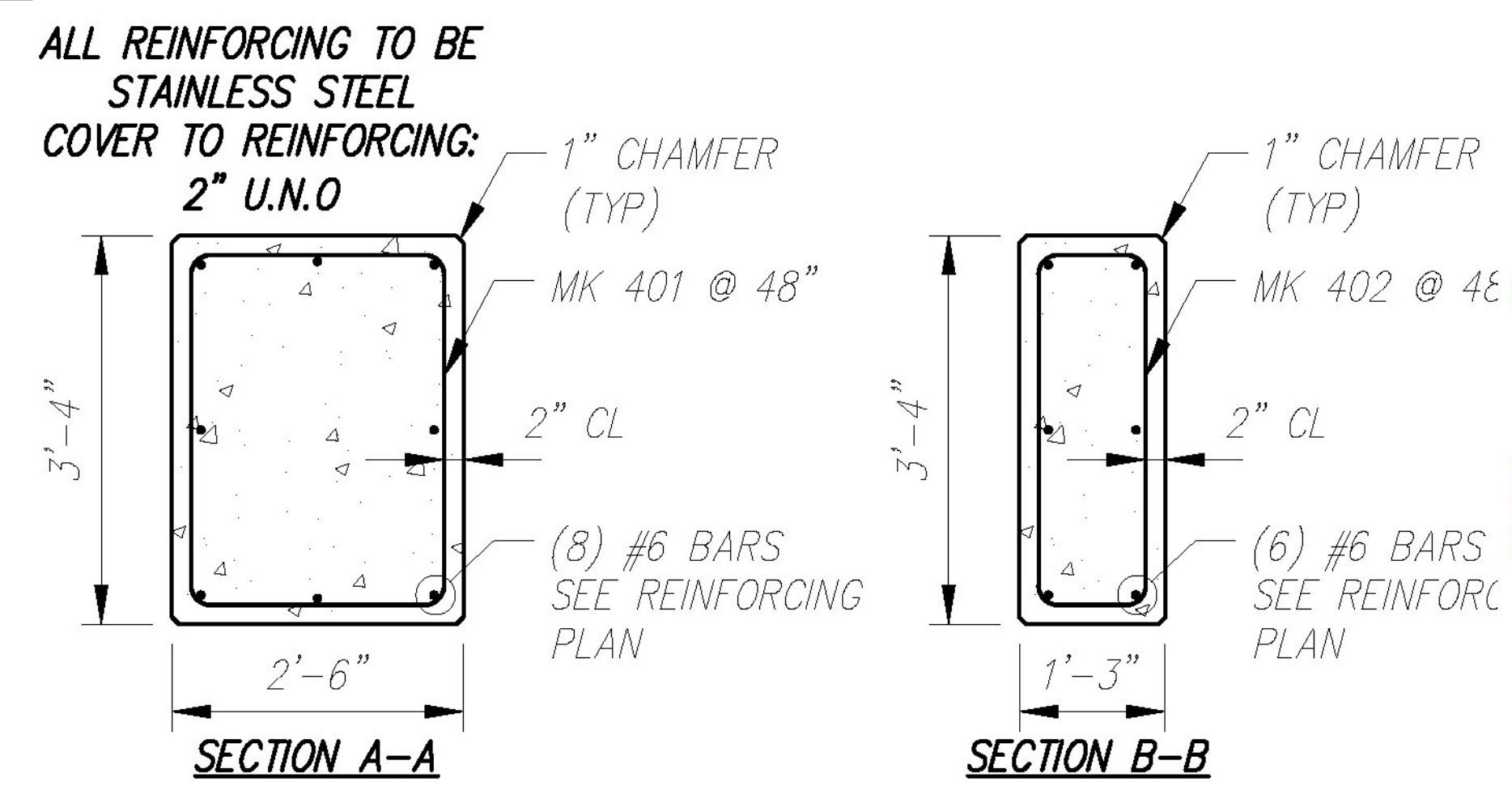
PLAN VIEW
Scale: 3/8" = 1'-0"



REINFORCING PLAN
Scale: 3/8" = 1'-0"

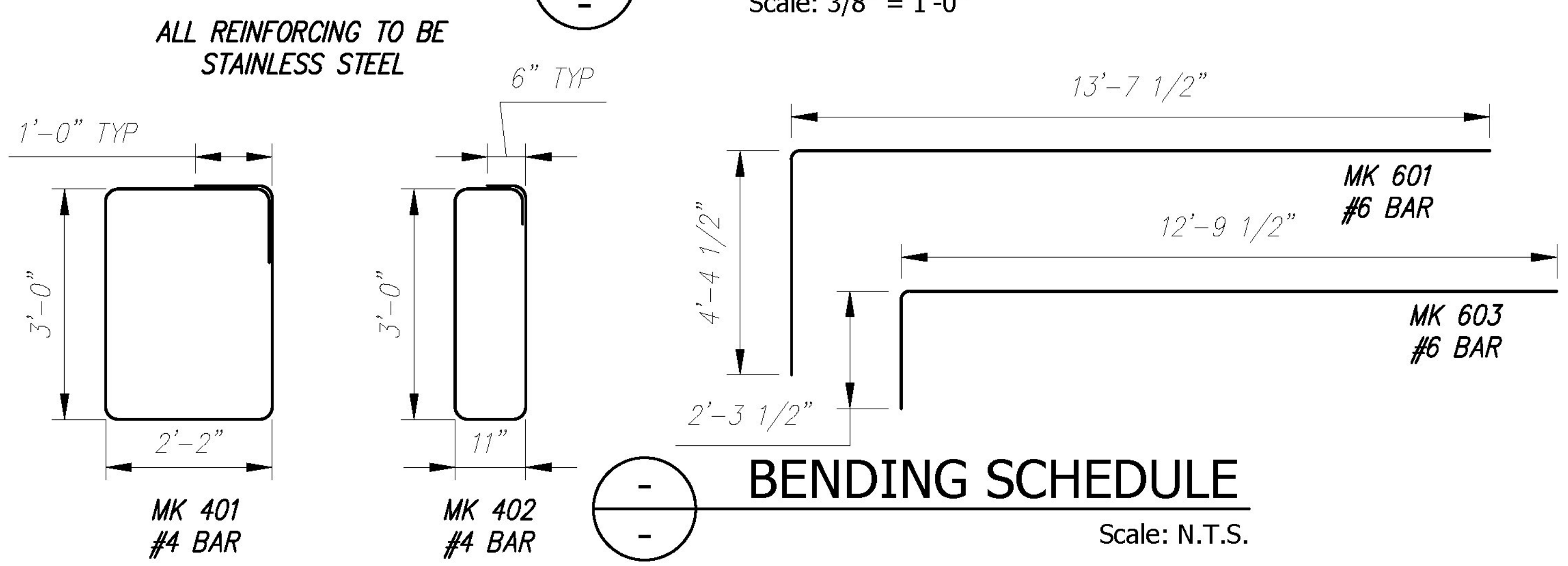


ELEVATION
Scale: 3/8" = 1'-0"



REINFORCING SECTION
Scale: 3/8" = 1'-0"

Vermont Agency of Transportation
RECEIVED
CK'D BY CLB OK'D BY CWC
February 16, 2018
RESUBMIT NO Approved
BY C. CARLSON DATE 02/16/18



BENDING SCHEDULE
Scale: N.T.S.

All Rebar to be Stainless Steel

| Rebar Schedule | | | |
|----------------|----|-----|----------|
| MK | # | QTY | LENGTH |
| 401 | #4 | 4 | 12' - 4" |
| 402 | #4 | 2 | 8' - 10" |
| 601 | #6 | 3 | 18' - 0" |
| 602 | #6 | 2 | 12' - 9" |
| 603 | #6 | 3 | 15' - 1" |

| F3 - BILL OF MATERIALS / EMBEDS | | | | |
|---------------------------------|--|------|----|----------|
| CSI ID# | DESCRIPTION | QTY | UM | COMMENTS |
| DTJ | CERTI-VEX PENSEAL 244 40% AIM | 0.80 | GA | |
| DTJ | REBAR #4 STAINLESS STEEL | 45 | EA | |
| DTJ | REBAR #6 STAINLESS STEEL | 187 | EA | |
| EM-00115 | UTILITY ANCHOR 8" - GALVANIZED | 4 | EA | |
| MX-FA5000SC30 | MIX DSGN - FLY ASH - 5000 - SELF COMPACT | 4.82 | CY | |

| Rev. | Date | DESCRIPTION | By |
|------|----------|--------------------------|-----|
| 4 | 12/13/17 | NO CHANGES TO THIS SHEET | BSS |
| 3 | 12/01/17 | NO CHANGES TO THIS SHEET | BSS |
| 2 | 11/02/17 | NO CHANGES TO THIS SHEET | BSS |
| 1 | 08/17/17 | REV PER CUSTOMER REVIEW | BSS |

| | | | | | | | | | |
|---|----------|------------------------|-----|--|--|---|-------------|---------------------|----------|
| 6 | | | | | | | | | |
| 5 | 01/31/18 | REV FOOTING DIMENSIONS | BSS | | | | | | |
| CONCRETE SYSTEMS INC. 9 Commercial Street Hudson, New Hampshire 03051 (800) 342-3374 (603) 889-4163 FAX (603) 889-0039 www.csigroup.com | | | | Drawn By B. SKELTON Date 07/10/2017 | Reviewed By B.K./M.S. Date 07/17/2017 | Approved By B. SKELTON Date 01/03/2018 | Quantity: 1 | Weight (Tons): 9.45 | SHEET 19 |
| FABRICATION DRAWING F3 Drawing No. C23199-F3 | | | | | | REV 5 | | | |