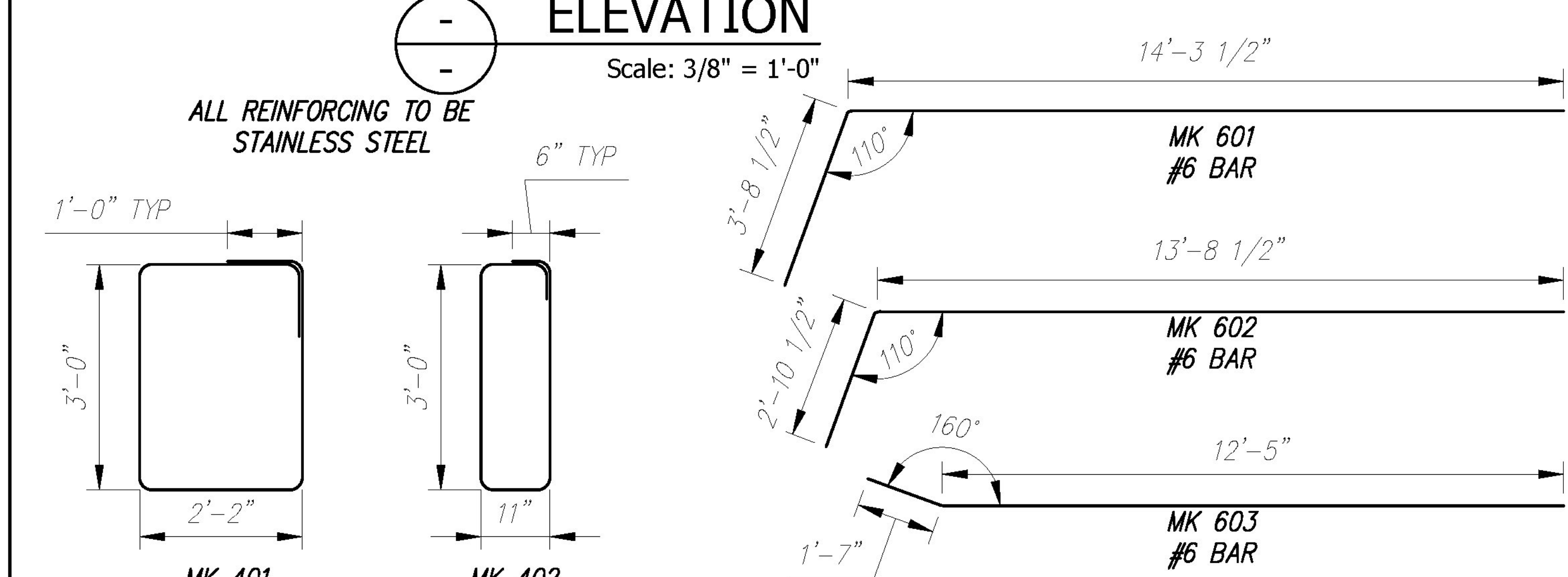


**PLAN VIEW**  
Scale: 3/8" = 1'-0"



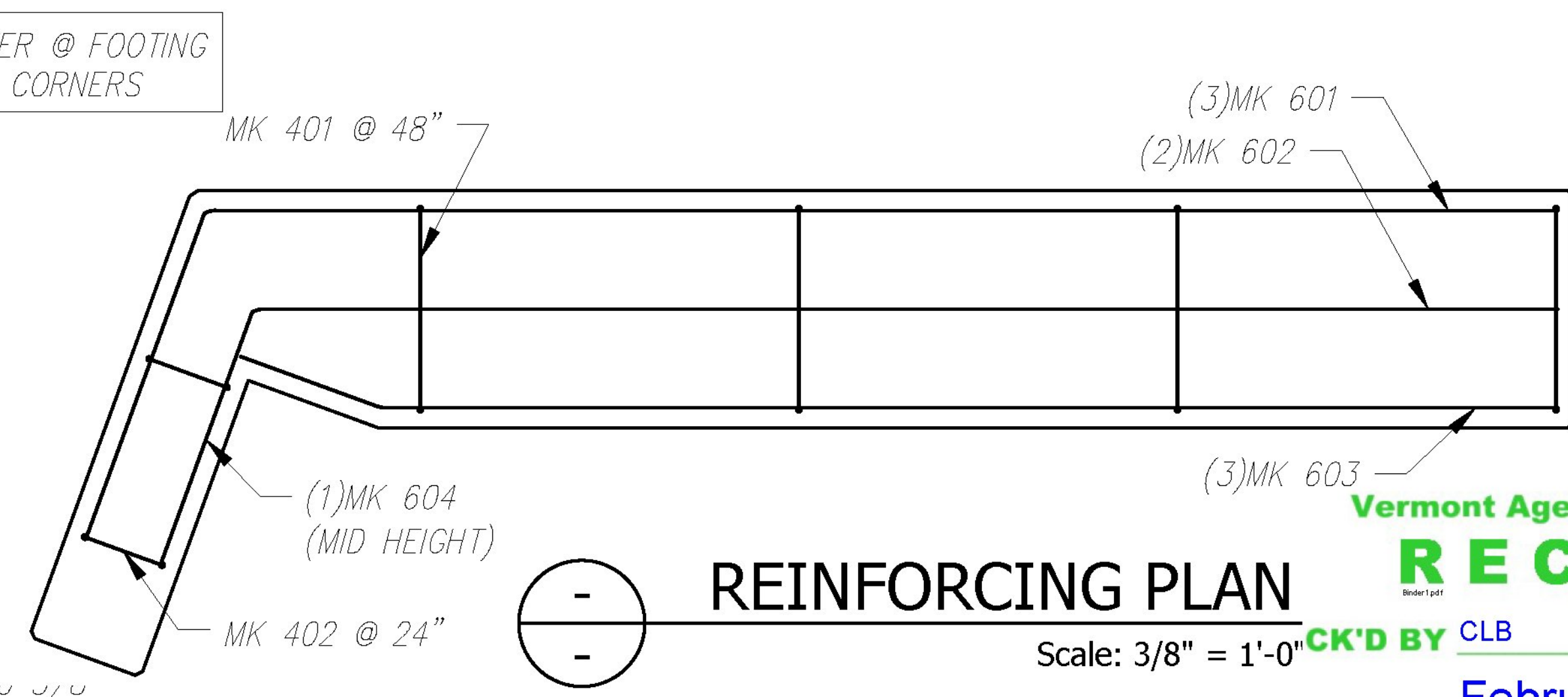
**ELEVATION**  
Scale: 3/8" = 1'-0"



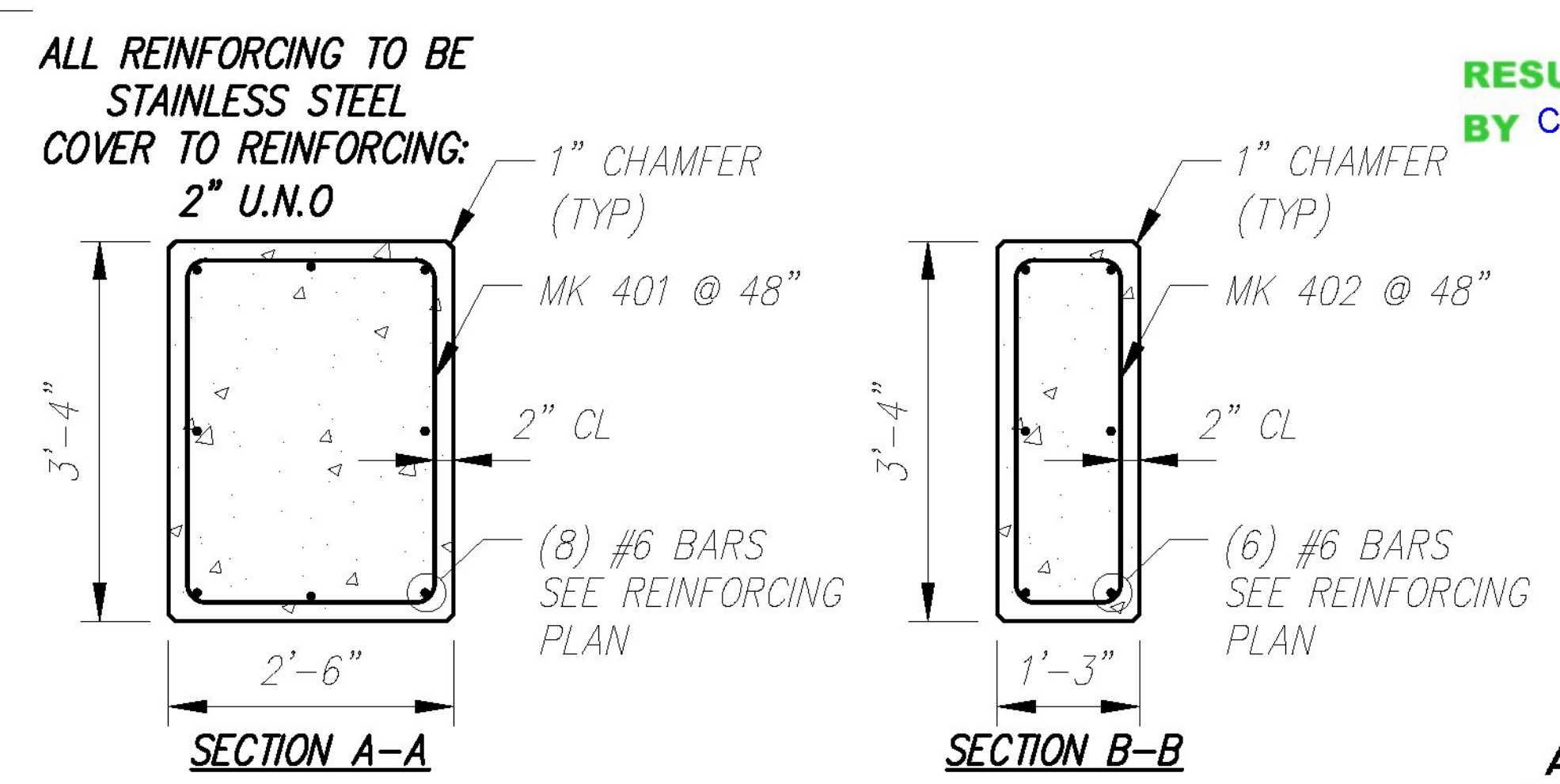
**BENDING SCHEDULE**  
Scale: N.T.S.

Rev.	Date	DESCRIPTION	By
4	12/13/17	NO CHANGES TO THIS SHEET	BSS
3	12/01/17	NO CHANGES TO THIS SHEET	BSS
2	11/02/17	NO CHANGES TO THIS SHEET	BSS
1	08/17/17	REV PER CUSTOMER REVIEW	BSS

6				
5	01/31/18	REV FOOTING DIMENSIONS	BSS	
		CONCRETE SYSTEMS INC. 9 Commercial Street Hudson, New Hampshire 03051 (800) 342-3374 (603) 889-4163 FAX (603) 889-0039 www.csigroup.com	Drawn By B. SKELTON Date 07/10/2017 Reviewed By B.K./M.S. Date 07/17/2017 Approved By B. SKELTON Date 01/03/2018	FABRICATION DRAWING F2 Drawing No. C23199-F2 Quantity: 1 Weight (Tons): 9.81 SHEET 18



**REINFORCING PLAN**  
Scale: 3/8" = 1'-0"



**REINFORCING SECTION**  
Scale: 3/8" = 1'-0"

Vermont Agency of Transportation  
**RECEIVED**  
CK'D BY CLB OK'D BY CWC  
February 16, 2018  
RESUBMIT NO Approved  
BY C. CARLSON DATE 02/16/18

**All Rebar to be Stainless Steel**

Rebar Schedule			
MK	QTY	LENGTH	
401 #4	4	12' - 4"	
402 #4	2	8' - 10"	
601 #6	3	18' - 0"	
602 #6	2	16' - 7"	
603 #6	3	14' - 0"	
604 #6	1	3' - 0"	

F2 - BILL OF MATERIALS / EMBEDS				
CSI ID#	DESCRIPTION	QTY	UM	COMMENTS
DTJ	CERTI-VEX PENSEAL 244 40% AIM	0.83	GA	
DTJ	REBAR #4 STAINLESS STEEL	45	EA	
DTJ	REBAR #6 STAINLESS STEEL	199	EA	
EM-00115	UTILITY ANCHOR 8" - GALVANIZED	4	EA	
MX-FA5000SC30	MIX DSGN - FLY ASH - 5000 - SELF COMPACT	5.00	CY	