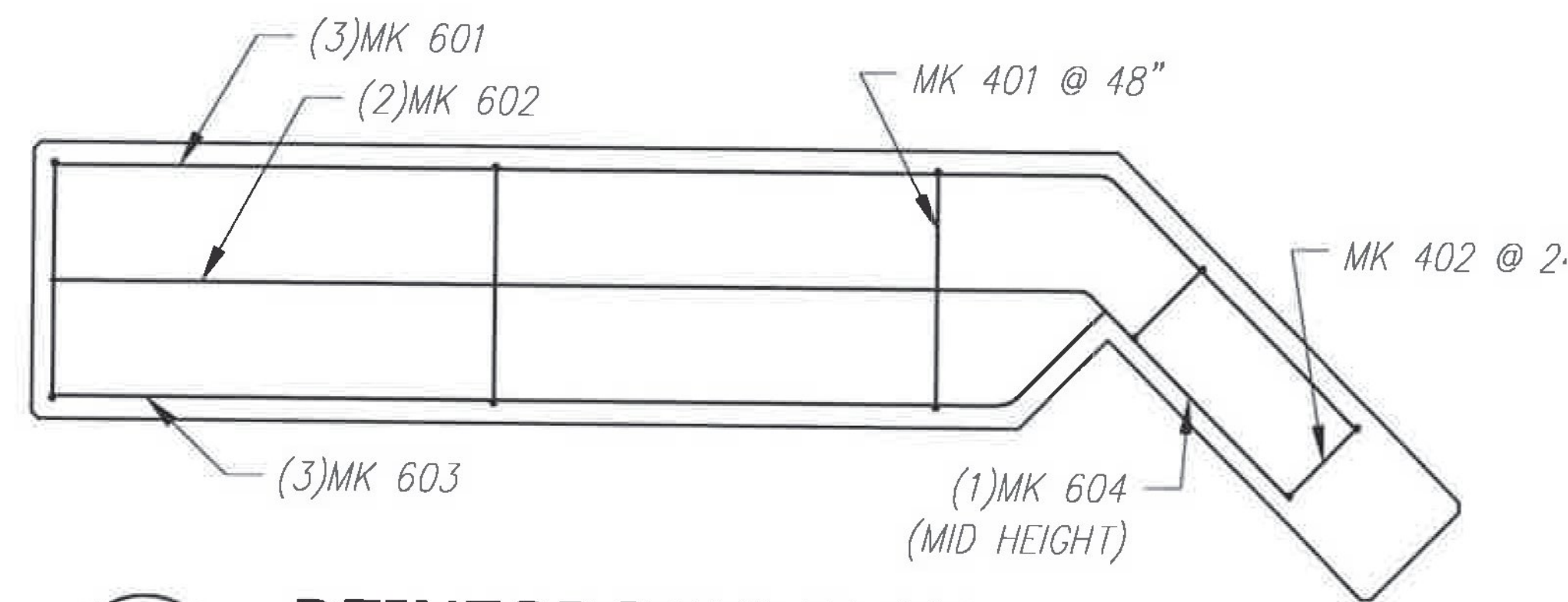
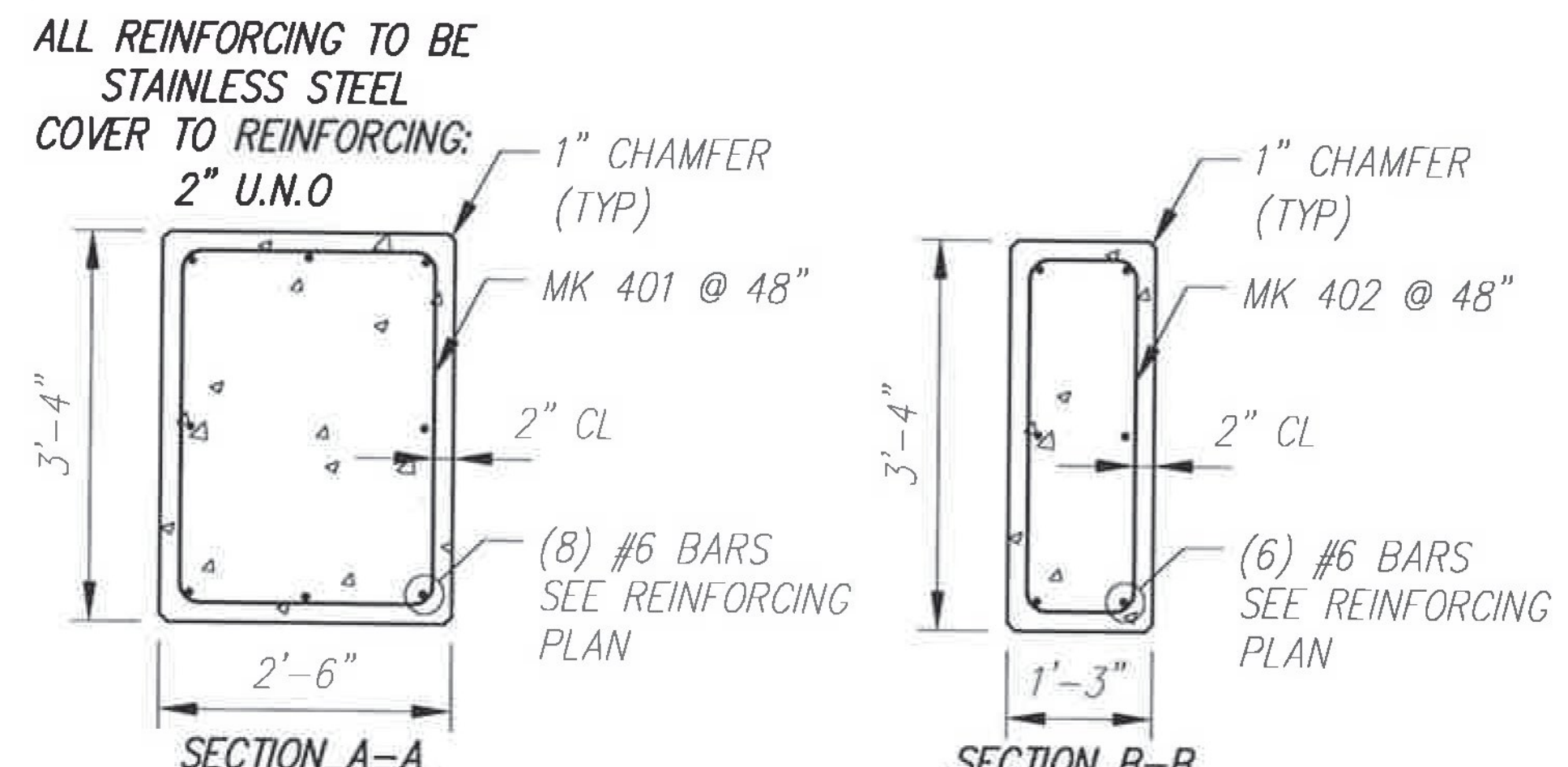


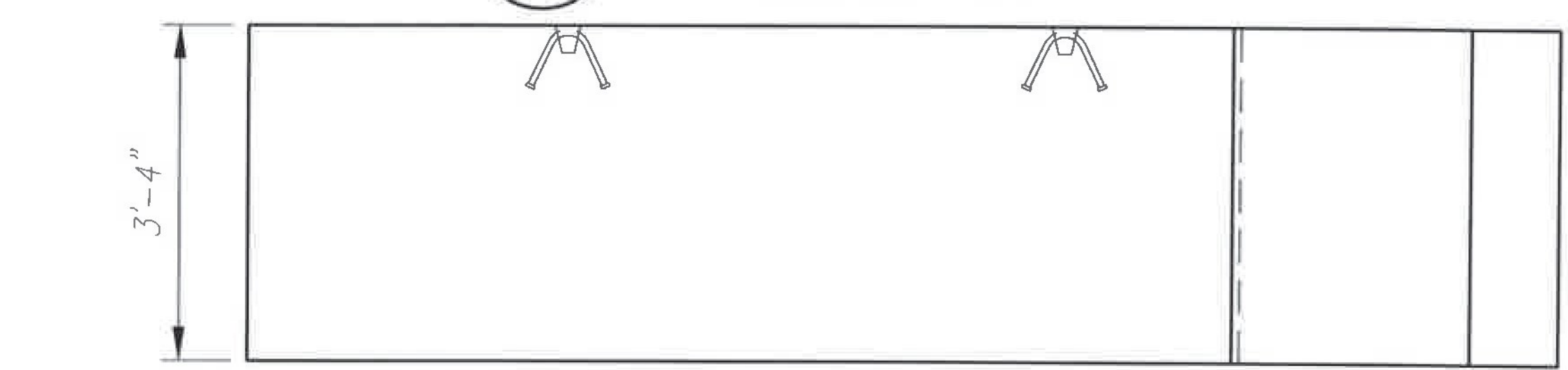
PLAN VIEW
Scale: 3/8" = 1'-0"



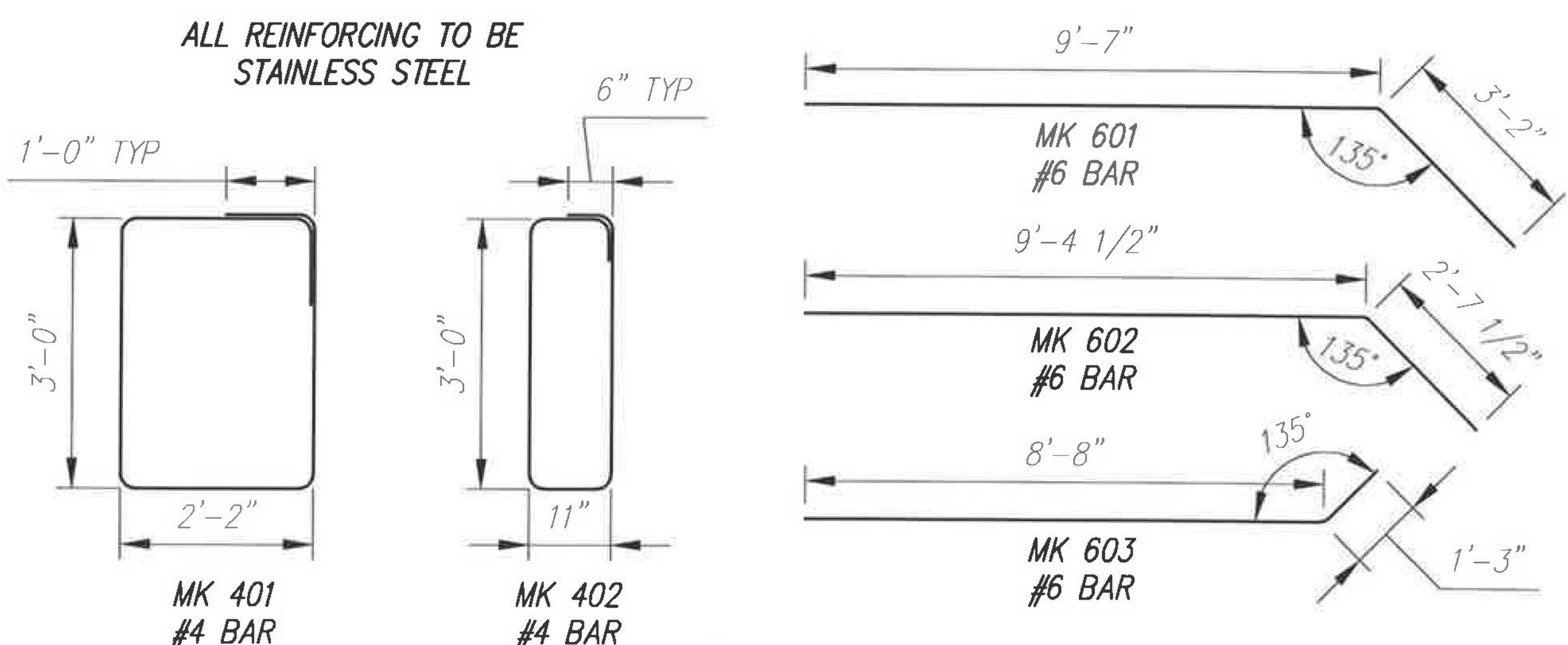
REINFORCING PLAN
Scale: 3/8" = 1'-0"



REINFORCING SECTION
Scale: 3/8" = 1'-0"



ELEVATION
Scale: 3/8" = 1'-0"



BENDING SCHEDULE
Scale: 3/8" = 1'-0"

Approved

BY: Carolyn Carlson
 DATE: 2/16/18
 RESUBMIT: NO
 RECEIVED: February 16, 2018
 CKD BY: Carolyn Carlson

**STATE OF VERMONT
 AGENCY OF TRANSPORTATION**

Vermont Agency of Transportation
RECEIVED

CK'D BY CLB OK'D BY CWC
 February 16, 2018

RESUBMIT No Approved
 BY C. CARLSON DATE 02/16/18

All Rebar to be Stainless Steel

Rebar Schedule			
MK	QTY	LENGTH	
401 #4	3	12' - 4"	
402 #4	2	8' - 10"	
601 #6	3	12' - 9"	
602 #6	2	12' - 0"	
603 #6	3	9' - 11"	
604 #6	1	3' - 0"	

F1 - BILL OF MATERIALS / EMBEDS				
CSI ID#	DESCRIPTION	QTY	UM	COMMENTS
DTJ	CERTI-VEX PENSEAL 244 40% AIM	0.62	GA	
DTJ	REBAR #4 STAINLESS STEEL	37	EA	
DTJ	REBAR #6 STAINLESS STEEL	143	EA	
EM-00115	UTILITY ANCHOR 8" - GALVANIZED	4	EA	
MX-FA5000SC30	MIX DSGN - FLY ASH - 5000 - SELF COMPACT	3.58	CY	

Rev.	Date	DESCRIPTION	By
4	12/13/17	NO CHANGES TO THIS SHEET	BSS
3	12/01/17	NO CHANGES TO THIS SHEET	BSS
2	11/02/17	NO CHANGES TO THIS SHEET	BSS
1	08/17/17	REV PER CUSTOMER REVIEW	BSS

6	02/05/18	CORRECT FOOTING DIMENSIONS	BSS
5	01/31/18	REV FOOTING DIMENSIONS	BSS

CONCRETE SYSTEMS INC. 9 Commercial Street Hudson, New Hampshire 03051 (800) 342-3374 (603) 889-4163 FAX (603) 889-0039 www.csigroup.com		Drawn By B. SKELTON Date 07/10/2017	B	FABRICATION DRAWING F1		REV 6
		Reviewed By B.K./M.S. Date 07/17/2017		Drawing No. C23199-F1		
		Approved By B. SKELTON Date 01/03/2018		Quantity: 1	Weight (Tons): 6.93	