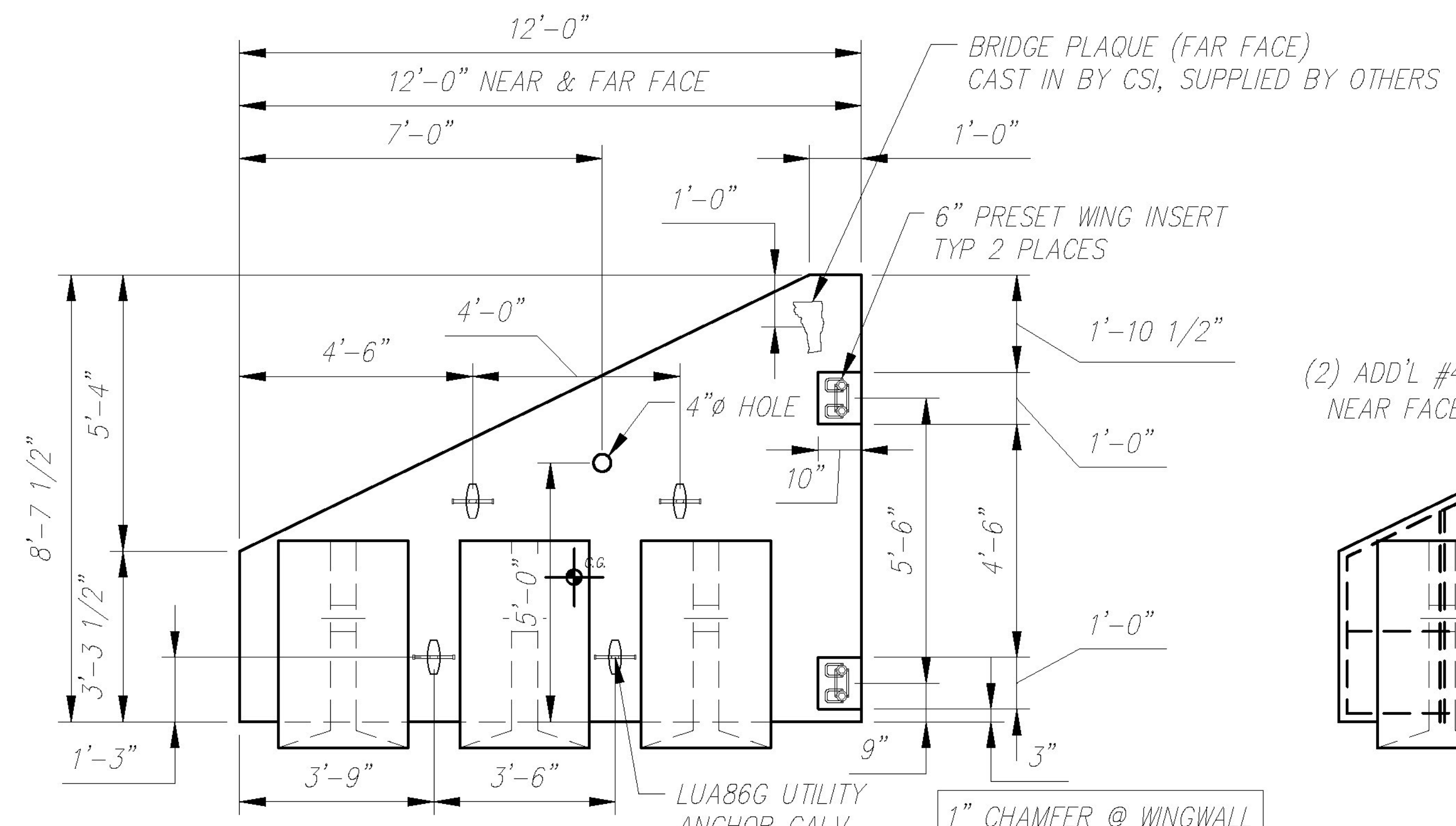
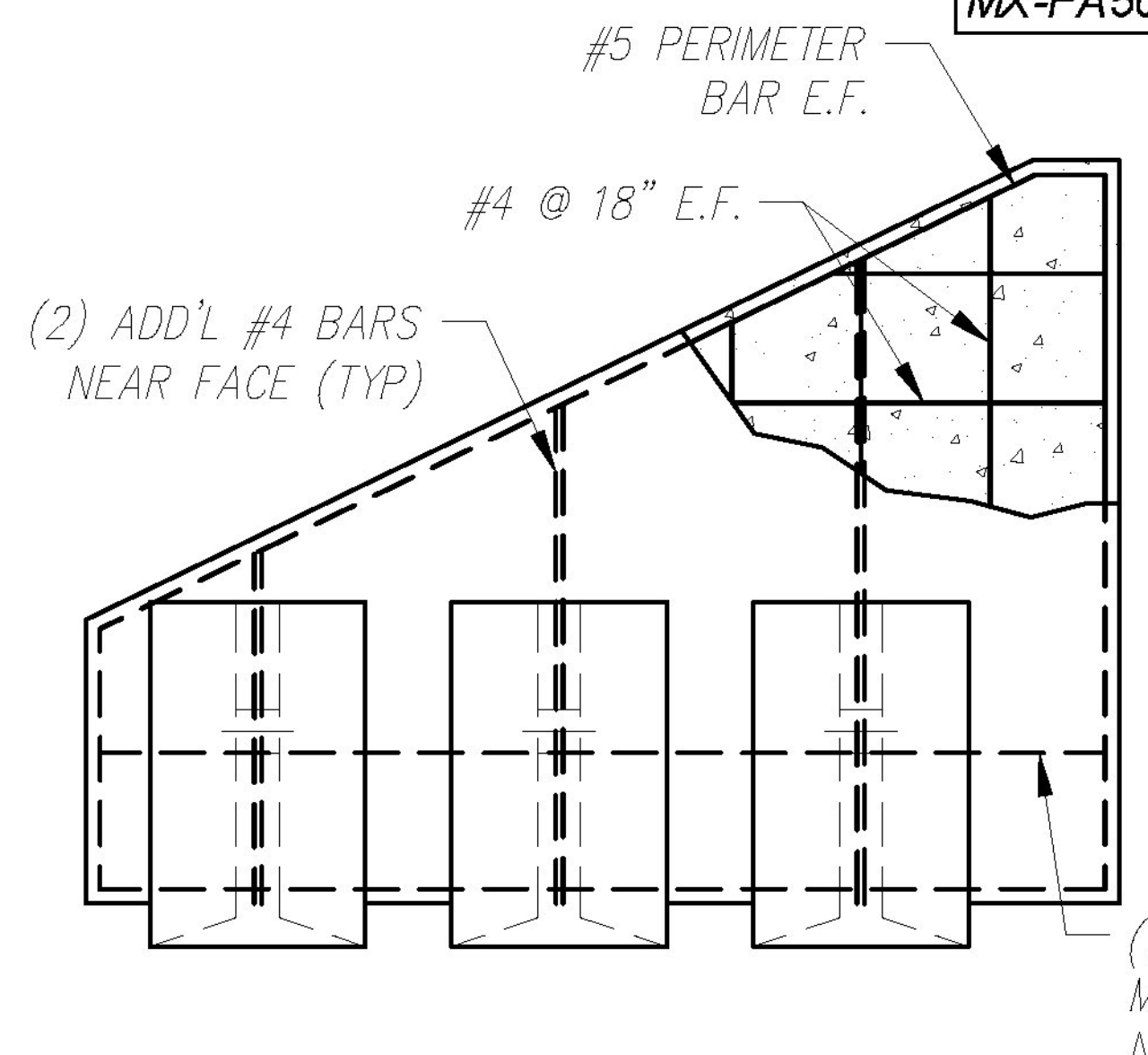


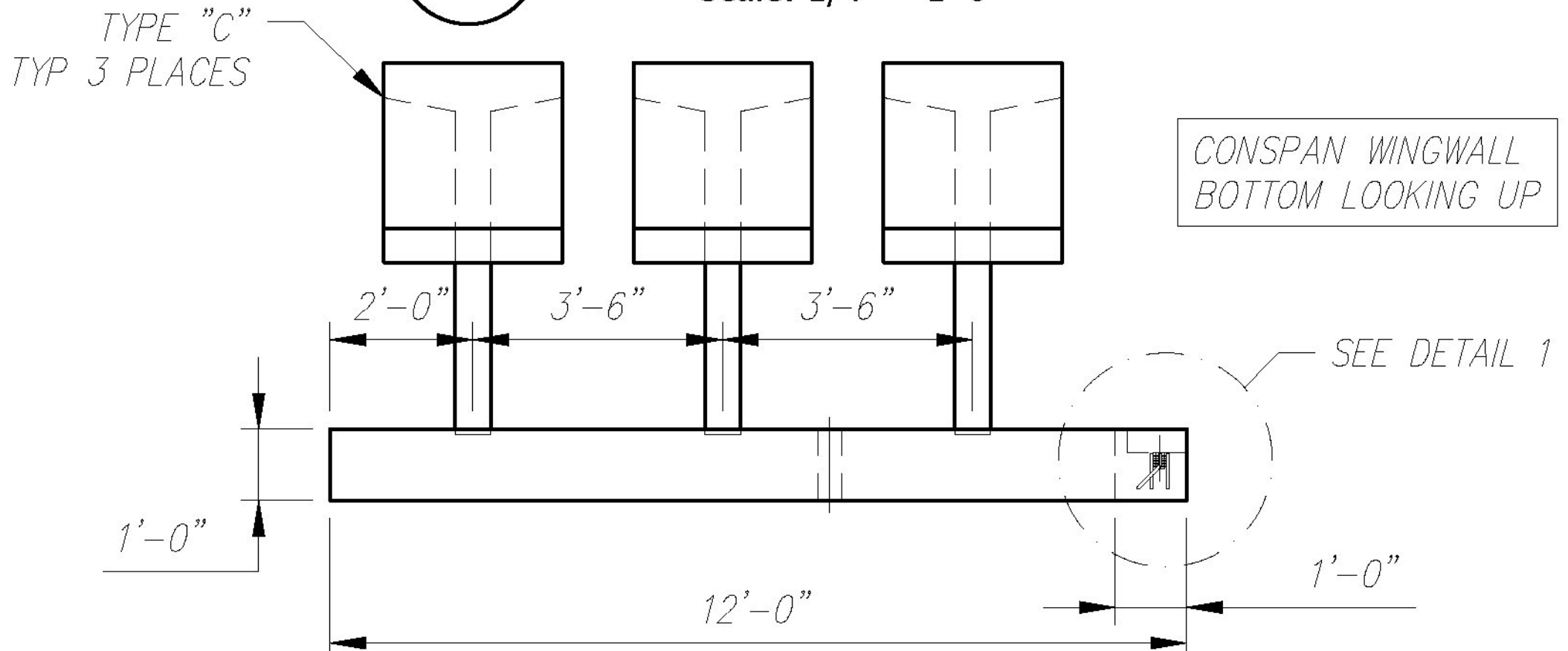
WW3 - BILL OF MATERIALS / EMBEDS				
CSI ID#	DESCRIPTION	QTY	UM	COMMENTS
DTJ	CERTI-VEX PENSEAL 244 40% AIM	0.40	GA	
SBO	BRIDGE PLAQUE	1	EA	
CSANG-C	CONSPAN WINGWALL ANCHOR C	3	EA	
EM-0005A	1" X 6" PRESET WING INSERTS, GALVANIZED	2	EA	
EM-00034	4" FOAM CORE PVC	1	FT	
EM-00115	UTILITY ANCHOR 8" - GALVANIZED	4	EA	
DTJ	REBAR #4 STAINLESS STEEL	196	LB	
DTJ	REBAR #5 STAINLESS STEEL	83	LB	
MX-FA5000SC30	MIX DSGN - FLY ASH - 5000 - SELF COMPACT	2.76	CY	



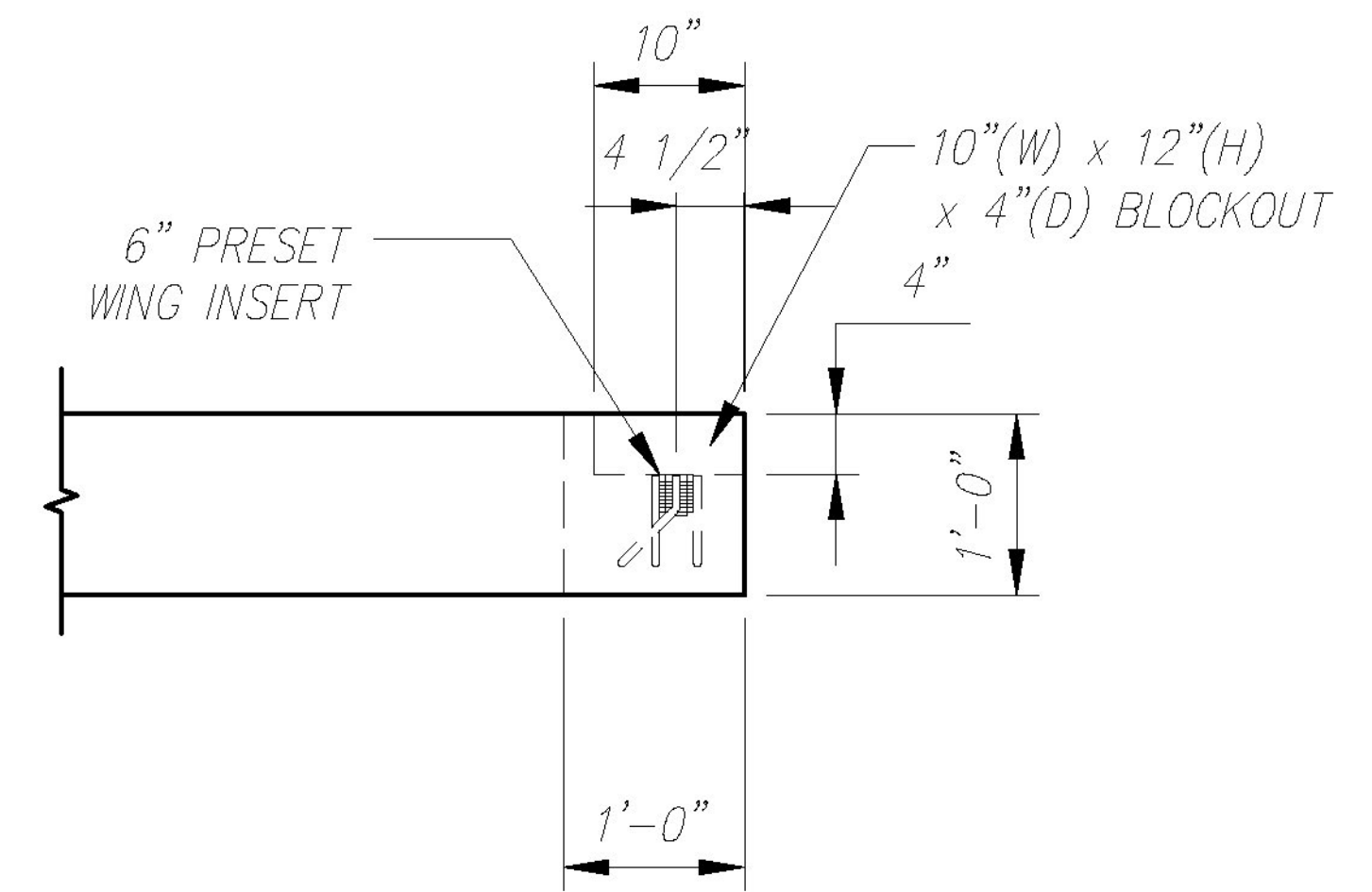
PLAN VIEW
Scale: 1/4" = 1'-0"



REINFORCING DETAIL
Scale: 1/4" = 1'-0"



ELEVATION
Scale: 1/4" = 1'-0"



1 WW CONNECTION DETAIL
Scale: 1/2" = 1'-0"

WATER REPELLENT ON FRONT FACE, TOP AND SIDES OF WINGWALL, AND 1'-0" DOWN FROM TOP ON BACK FACE.

Vermont Agency of Transportation
RECEIVED
CK'D BY CLB OK'D BY CWC
February 16, 2018
RESUBMIT NO Approved
BY C. CARLSON DATE 02/16/18

Rev.	Date	DESCRIPTION	By
4	12/13/17	NO CHANGES TO THIS SHEET	BSS
3	12/01/17	NO CHANGES TO THIS SHEET	BSS
2	11/02/17	NO CHANGES TO THIS SHEET	BSS
1	08/17/17	REV PER CUSTOMER REVIEW	BSS

6							
5							
CONCRETE SYSTEMS INC. 9 Commercial Street Hudson, New Hampshire 03051 (800) 342-3374 (603) 889-4163 FAX (603) 889-0039 www.csigroup.com		Drawn By B. SKELTON Date 07/10/2017	Reviewed By B.K./M.S. Date 07/17/2017	Approved By B. SKELTON Date 01/03/2018	B	FABRICATION DRAWING WW3 Drawing No. C23199-WW3	REV 4
REVISIONS		Quantity: 1	Weight (Tons): 8.25	SHEET 15			