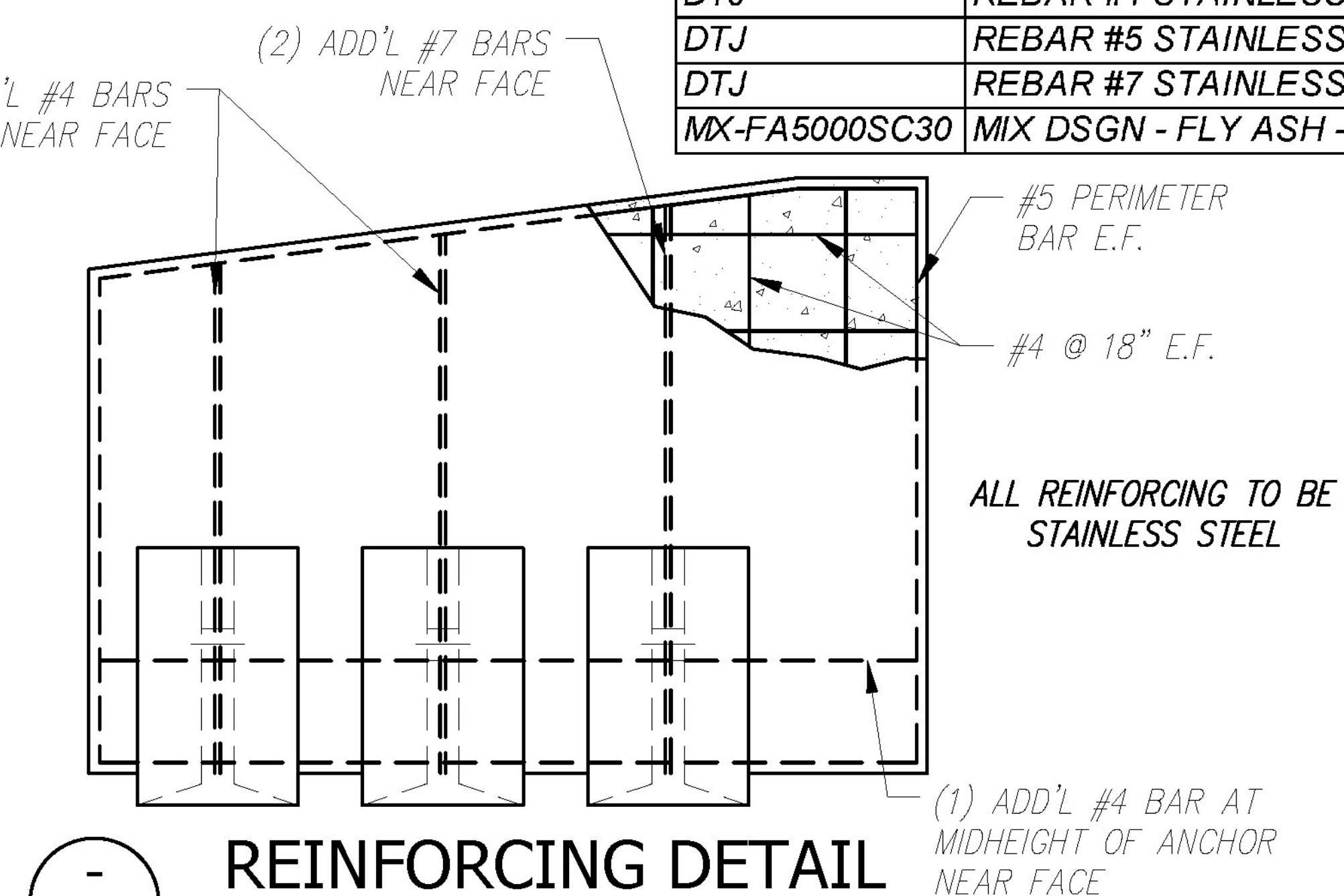
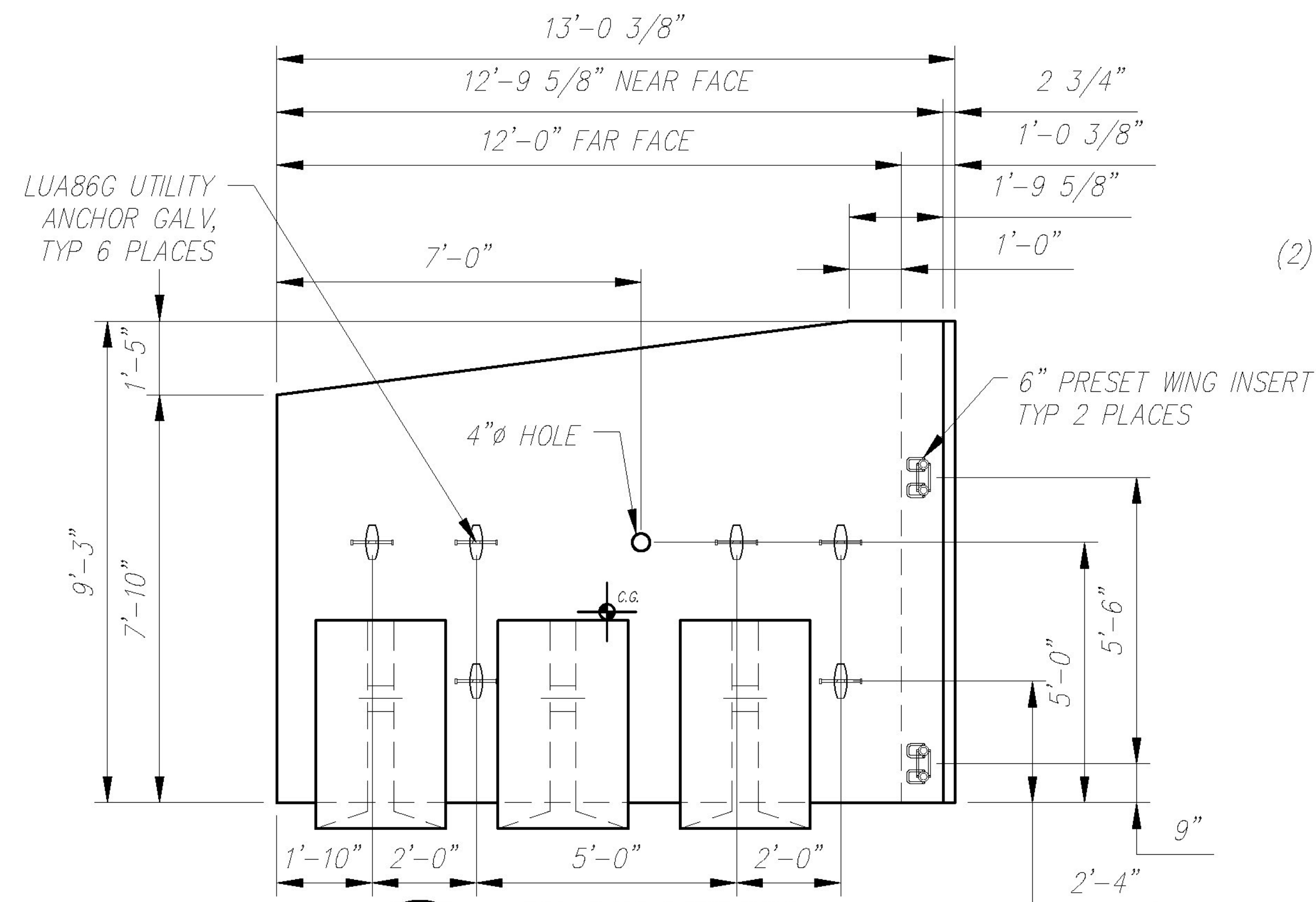
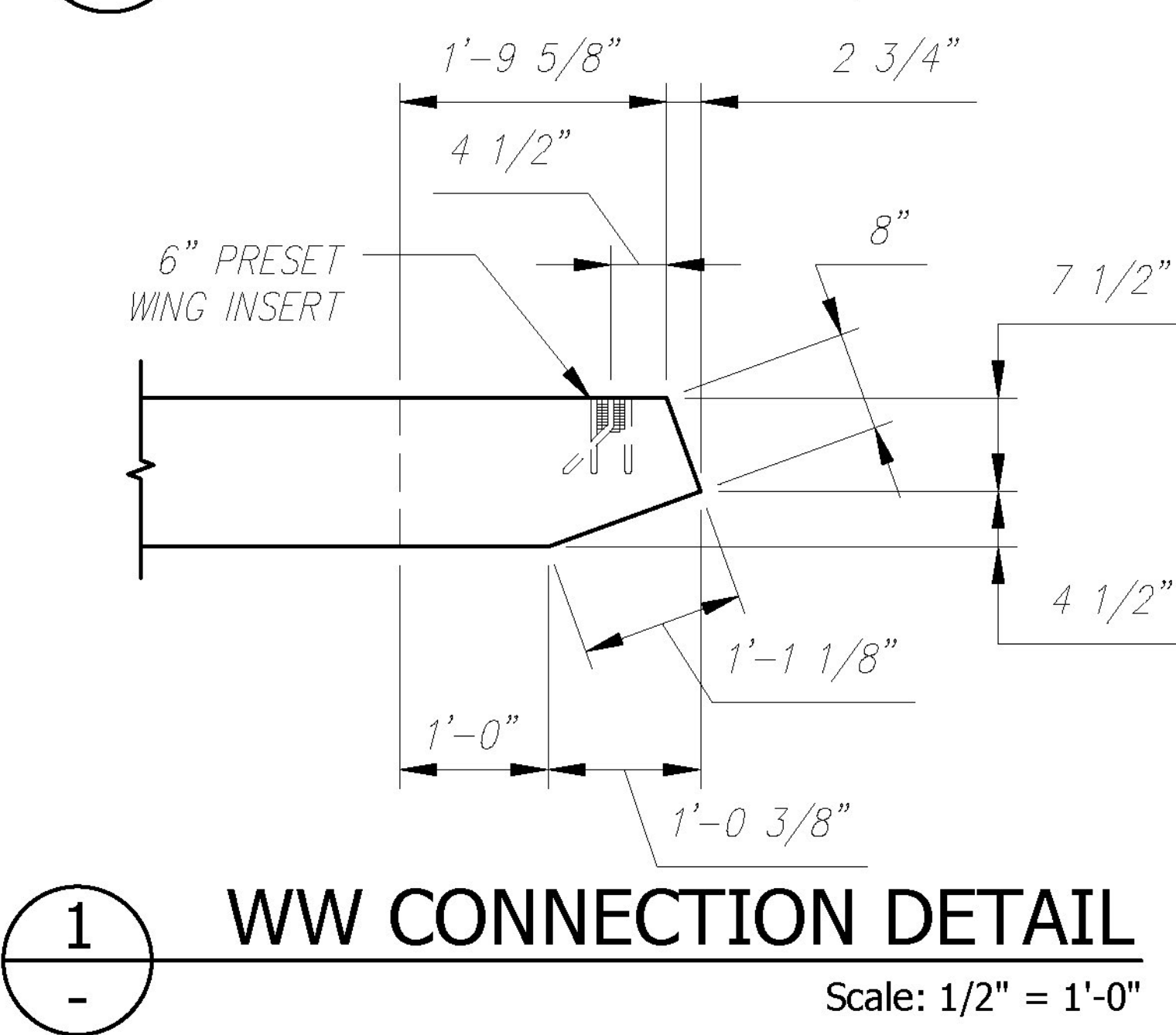
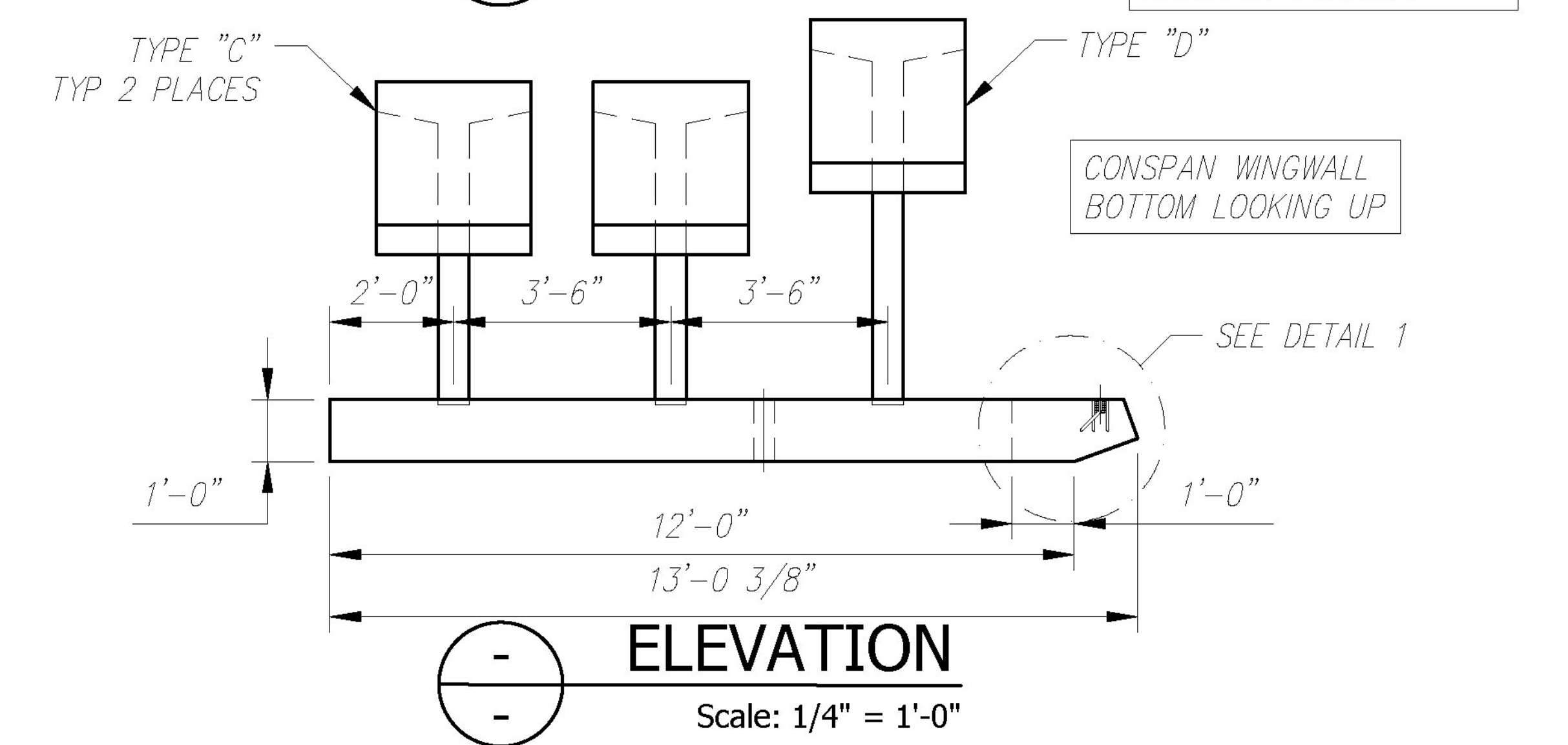


WW2 - BILL OF MATERIALS / EMBEDS

CSI ID#	DESCRIPTION	QTY	UM	COMMENTS
DTJ	CERTI-VEX PENSEAL 244 40% AIM	0.60	GA	
CSANC-C	CONSPAN WINGWALL ANCHOR C	2	EA	
CSANC-D	CONSPAN WINGWALL ANCHOR D	1	EA	
EM-0005A	1" X 6" PRESET WING INSERTS, GALVANIZED	2	EA	
EM-00034	4" FOAM CORE PVC	1	FT	
EM-00115	UTILITY ANCHOR 8" - GALVANIZED	6	EA	
DTJ	REBAR #4 STAINLESS STEEL	233	LB	
DTJ	REBAR #5 STAINLESS STEEL	92	LB	
DTJ	REBAR #7 STAINLESS STEEL	37	LB	
MX-FA5000SC30	MIX DSGN - FLY ASH - 5000 - SELF COMPACT	4.09	CY	



WATER REPELLENT ON FRONT FACE, TOP AND SIDES OF WINGWALL, AND 1'-0" DOWN FROM TOP ON BACK FACE.



Vermont Agency of Transportation
RECEIVED
CK'D BY CLB OK'D BY CWC
February 16, 2018
RESUBMIT NO Approved
BY C. CARLSON DATE 02/16/18

Rev.	Date	DESCRIPTION	By
4	12/13/17	NO CHANGES TO THIS SHEET	BSS
3	12/01/17	NO CHANGES TO THIS SHEET	BSS
2	11/02/17	NO CHANGES TO THIS SHEET	BSS
1	08/17/17	REV PER CUSTOMER REVIEW	BSS

6								
5								
CONCRETE SYSTEMS INC. 9 Commercial Street Hudson, New Hampshire 03051 (800) 342-3374 (603) 889-4163 FAX (603) 889-0039 www.csigroup.com				Drawn By B. SKELTON Date 07/10/2017	Reviewed By B.K./M.S. Date 07/17/2017	Approved By B. SKELTON Date 01/03/2018	FABRICATION DRAWING WW2 Drawing No. C23199-WW2	REV 4
Quantity: 1		Weight (Tons): 11.09		SHEET 14				