

RECEIVED

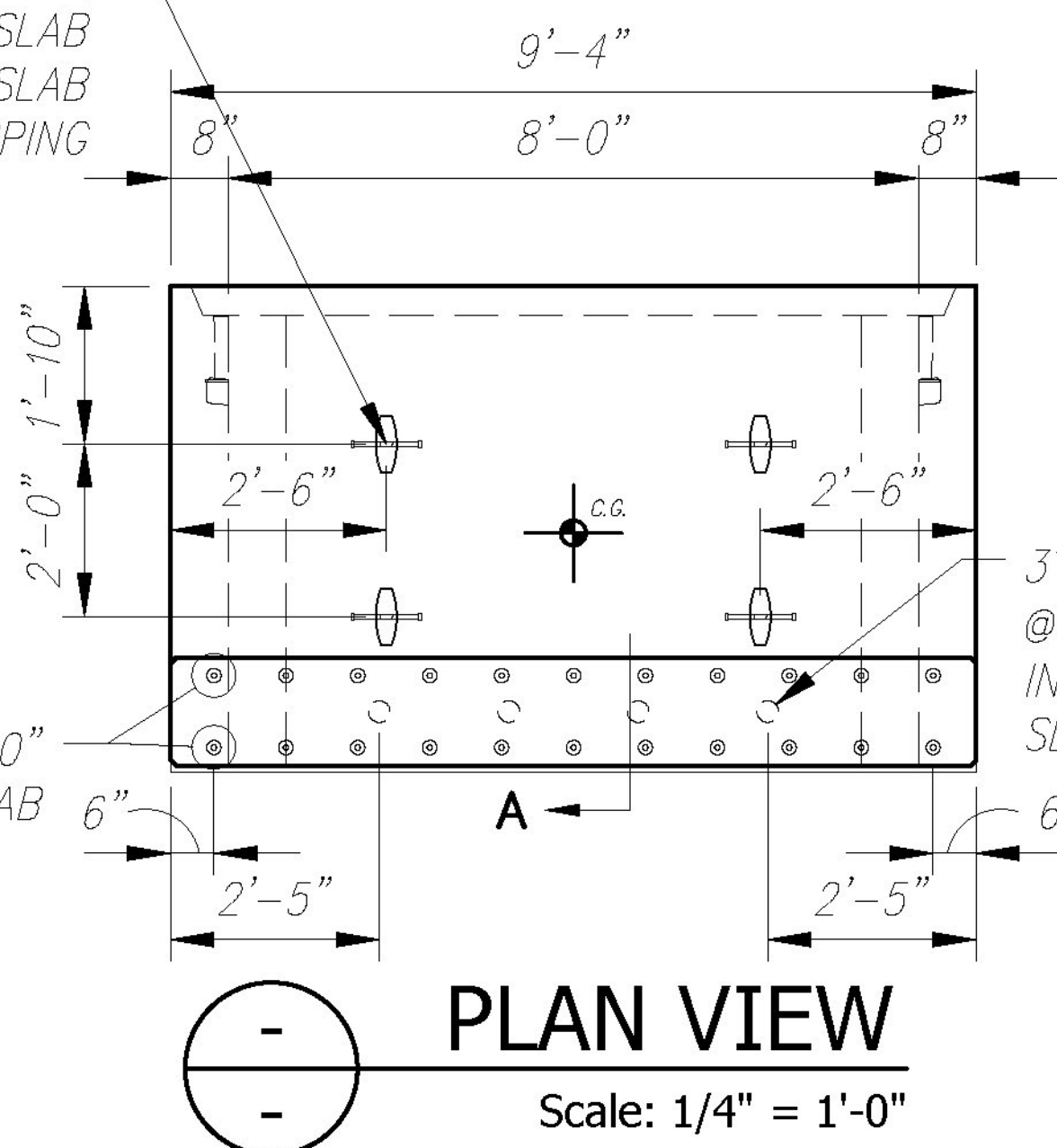
CK'D BY CLB OK'D BY CWC

February 16, 2018

RESUBMIT NO Approved
BY C. CARLSON DATE 02/16/18

LUA86G UTILITY ANCHOR, GALV,
TYP 4 PLACES IN TOP SLAB
TYP 2 PLACES IN BASE SLAB
FOR STRIPPING

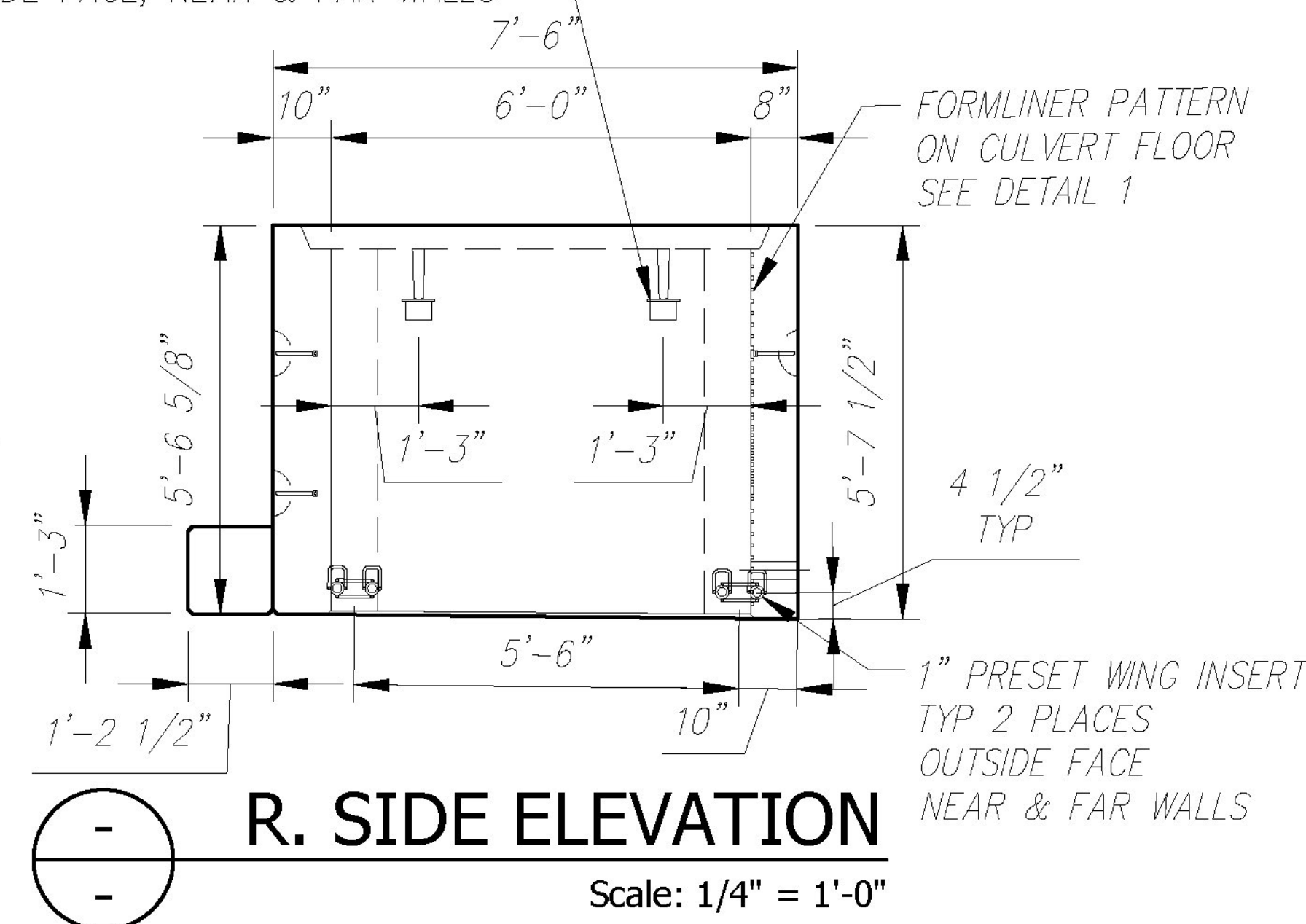
1" CHAMFER
@ CULVERT
OPENING



PLAN VIEW

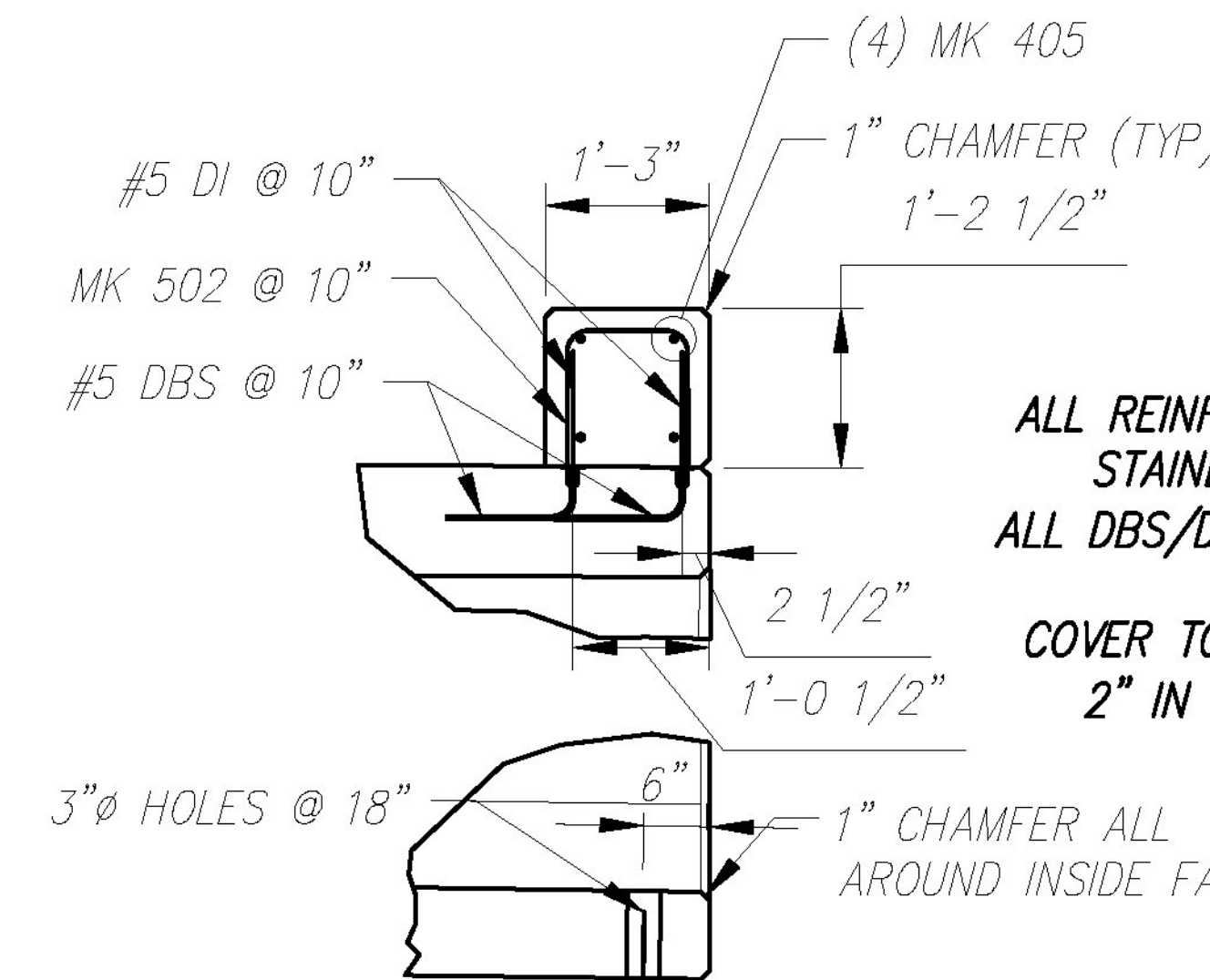
Scale: 1/4" = 1'-0"

RECESSED CONNECTION PLATES
GALV, TYP. 2 PLACES
INSIDE FACE, NEAR & FAR WALLS



R. SIDE ELEVATION

Scale: 1/4" = 1'-0"

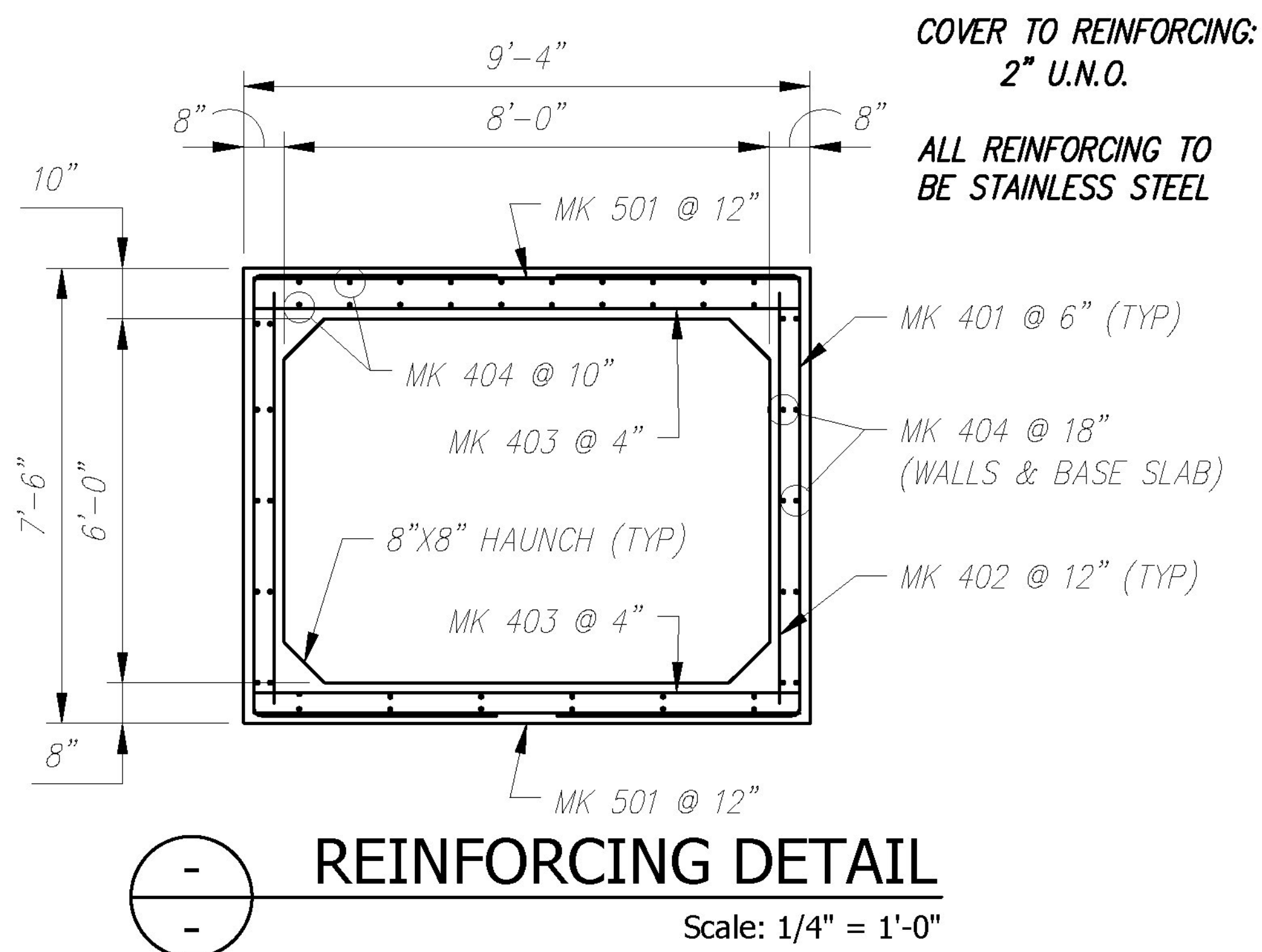


A SECTION

Scale: 3/8" = 1'-0"

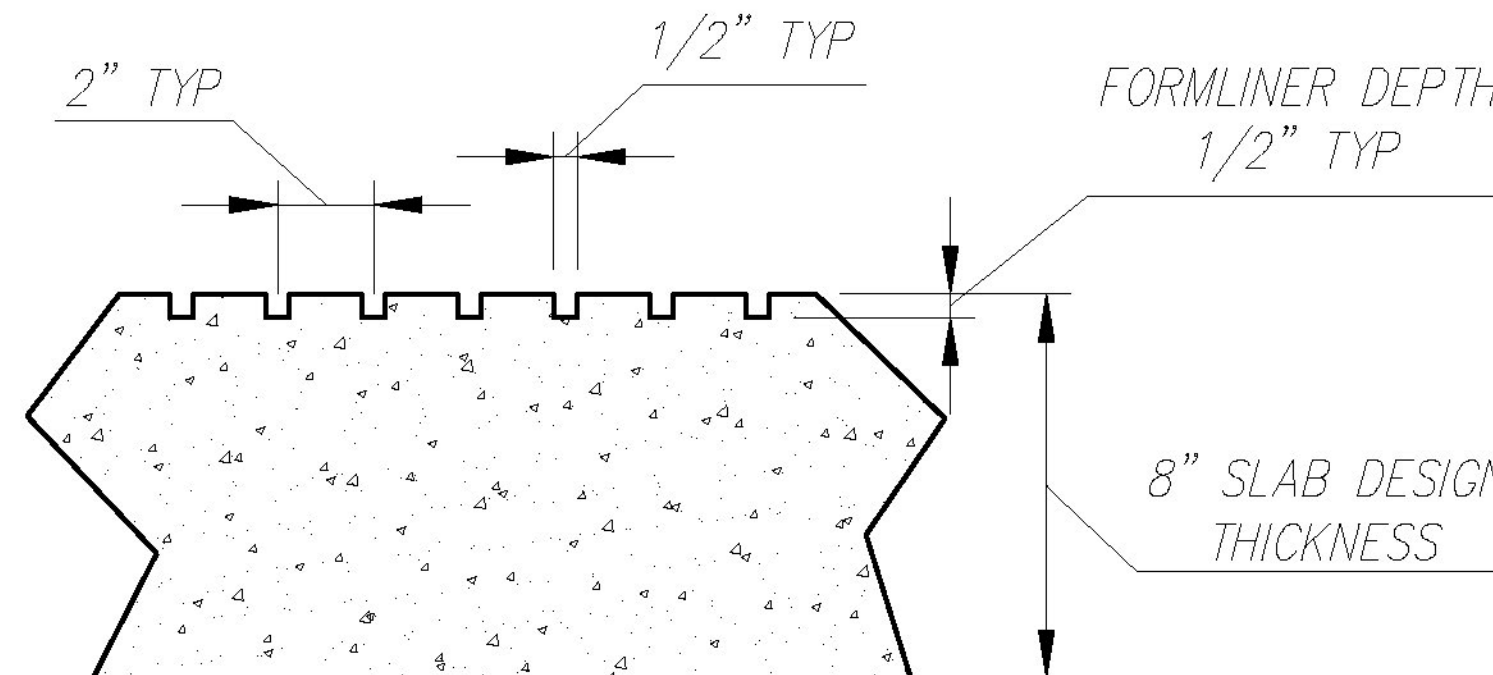
ALL REINFORCING TO BE
STAINLESS STEEL
ALL DBS/DI TO BE EPOXY
COVER TO REINFORCING
2" IN HEADWALLS

C3 CULVERT - BILL OF MATERIALS / EMBEDS			
CSI ID#	DESCRIPTION	QTY	UM COMMENTS
DTJ	CERTI-VEX PENSEAL 244 40% AIM	0.74	GA
EM-0005A	1" X 8" PRESET WING INSERTS	4	EA
EM-00013	DBSAE #5 X 18" EPOXY	22	EA DOWEL BAR SPLICER
EM-00033	3" FOAM CORE PVC	2.67	FT
EM-00125	BOLT POCKET PLATES (GALVANIZED)	4	EA
EM-00115	UTILITY ANCHOR 8" - GALVANIZED	6	EA
JS-00002	1"X1" CLOSED NEOP GASKET	34	FT AROUND BELL
DTJ	REBAR #4 STAINLESS STEEL	685	LB
DTJ	REBAR #5 STAINLESS STEEL	113	LB
MX-FA5000SC30	MIX DESIGN - FLY ASH 5000 SELF COMPACTIN	4.64	CY
C3 HEADWALL - BILL OF MATERIALS / EMBEDS			
DTJ	CERTI-VEX PENSEAL 244 40% AIM	0.23	GA
EM-00021	DI #5 X 18" EPOXY	22	EA DOWEL IN
DTJ	REBAR #4 STAINLESS STEEL	24	LB
DTJ	REBAR #5 STAINLESS STEEL	34	LB
MX-FA5000SC30	MIX DESIGN - FLY ASH 5000 SELF COMPACTIN	0.59	CY



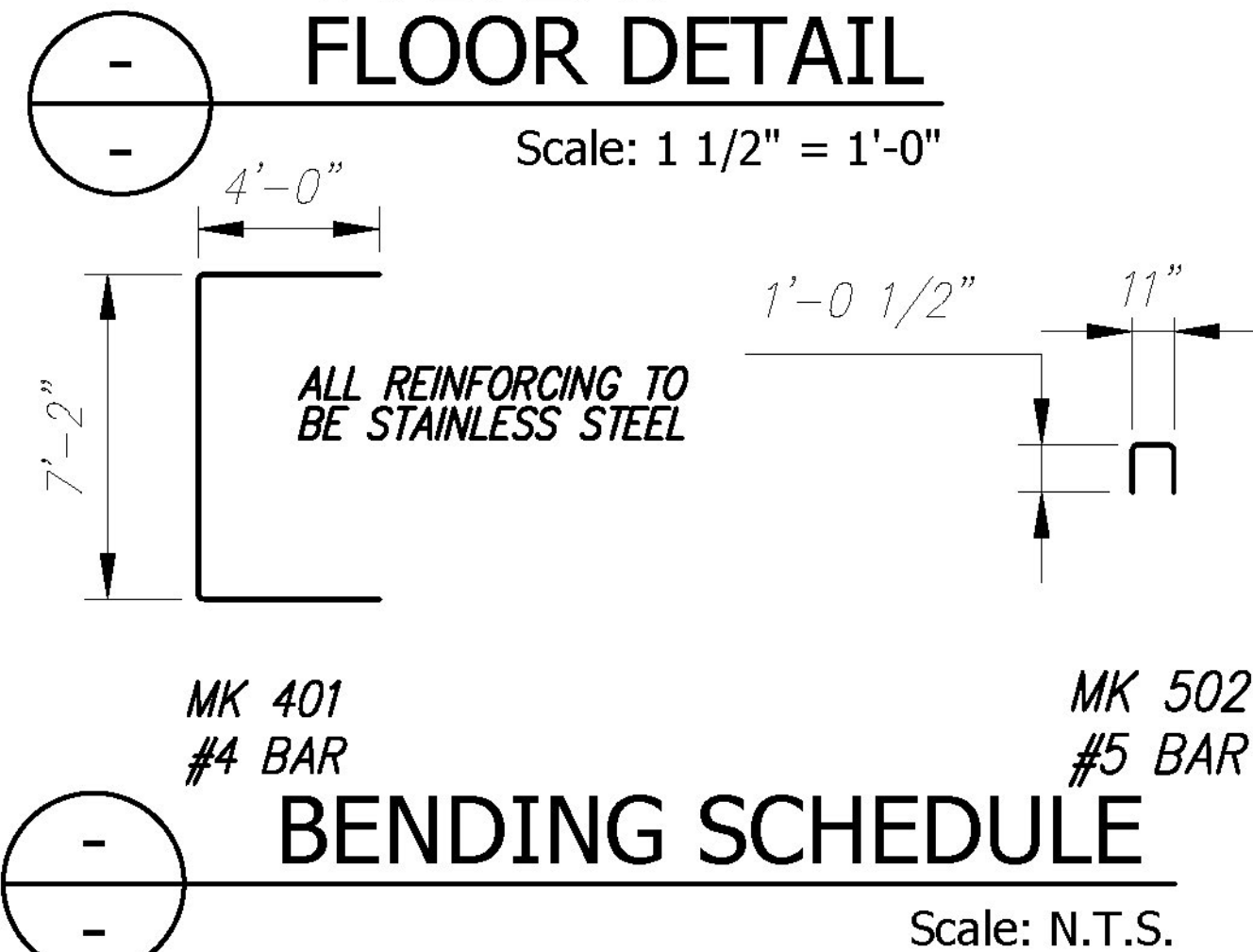
REINFORCING DETAIL

Scale: 1/4" = 1'-0"



CULVERT FLOOR DETAIL

Scale: 1 1/2" = 1'-0"



BENDING SCHEDULE

Scale: N.T.S.

All Rebar to be Stainless Steel

Culvert Rebar Schedule			
MK	#	QTY	LENGTH
401	#4	24	15' - 2"
402	#4	12	6' - 9"
403	#4	34	9' - 0"
*404	#4	52	5' - 3.5"
*501	#5	12	9' - 0"

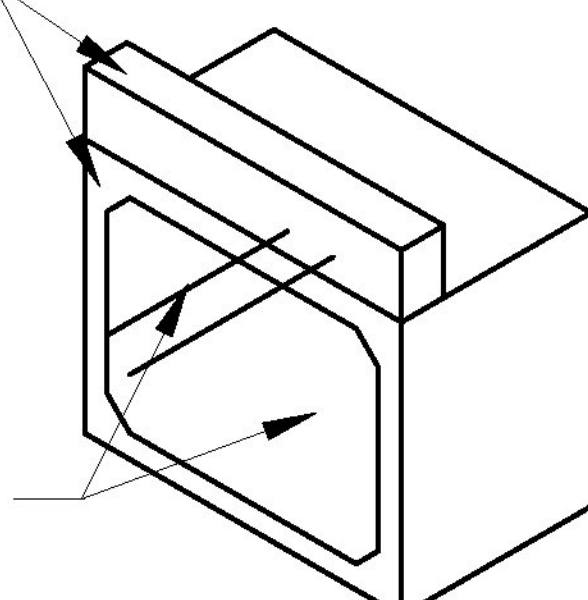
All Rebar to be Stainless Steel

Headwall Rebar Schedule			
MK	#	QTY	LENGTH
405	#4	4	9' - 0"
502	#5	11	3' - 0"

* MAKE (3) EXTRA BARS EACH OF
MK 404 & MK 501 FOR VAOT TESTING

WATER REPELLENT ON
FRONT FACE OF CULVERT
AND ENTIRE HEADWALL

WATER REPELLENT ON ALL
INTERIOR SURFACES



WATER REPELLENT LIMITS

SCALE: N.T.S.

Rev.	Date	DESCRIPTION	By
4	12/13/17	REV CONNECTION HARDWARE	BSS
3	12/01/17	NO CHANGES TO THIS SHEET	BSS
2	11/02/17	INDICATE EXTRA BARS FOR VAOT TESTING	BSS
1	08/17/17	REV PER CUSTOMER REVIEW	BSS

CONCRETE SYSTEMS INC. 9 Commercial Street Hudson, New Hampshire 03051 (800) 342-3374 (603) 889-4163 FAX (603) 889-0039 www.csigroup.com	Drawn By B. SKELTON	Date 07/10/2017	FABRICATION DRAWING C3 Drawing No. C23199-C3	REV 4
	Reviewed By B.K./M.S.	Date 07/17/2017		
	Approved By B. SKELTON	Date 01/03/2018	Quantity: 1	Weight (Tons): 10.60