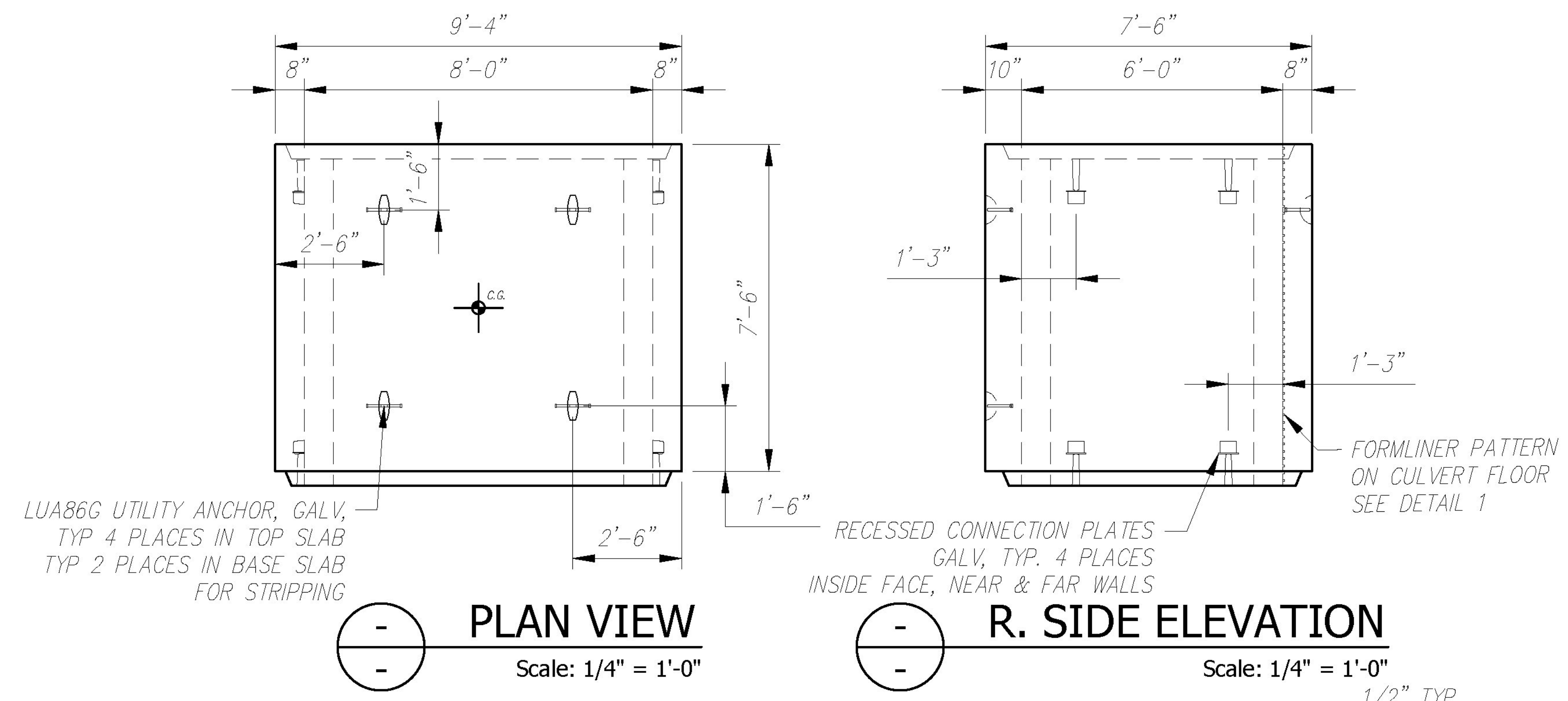


C2 - BILL OF MATERIALS / EMBEDS				
CSI ID#	DESCRIPTION	QTY	UM	COMMENTS
DTJ	CERTI-VEX PENSEAL 244 40% AIM	0.74	GA	
EM-00033	3" FOAM CORE PVC	4.666	FT	
EM-00125	BOLT POCKET PLATES (GALVANIZED)	8	EA	
EM-00115	UTILITY ANCHOR 8" - GALVANIZED	6	EA	
JS-00002	1"X1"CLOSED NEOP GASKET	34	FT	AROUND BELL
DTJ	REBAR #4 STAINLESS STEEL	914	LB	
DYJ	REBAR #5 STAINLESS STEEL	150	LB	
MX-FA5000SC30	MIX DESIGN - FLY ASH 5000 SELF COMPACTIN	6.36	CY	

All Rebar to be Stainless Steel

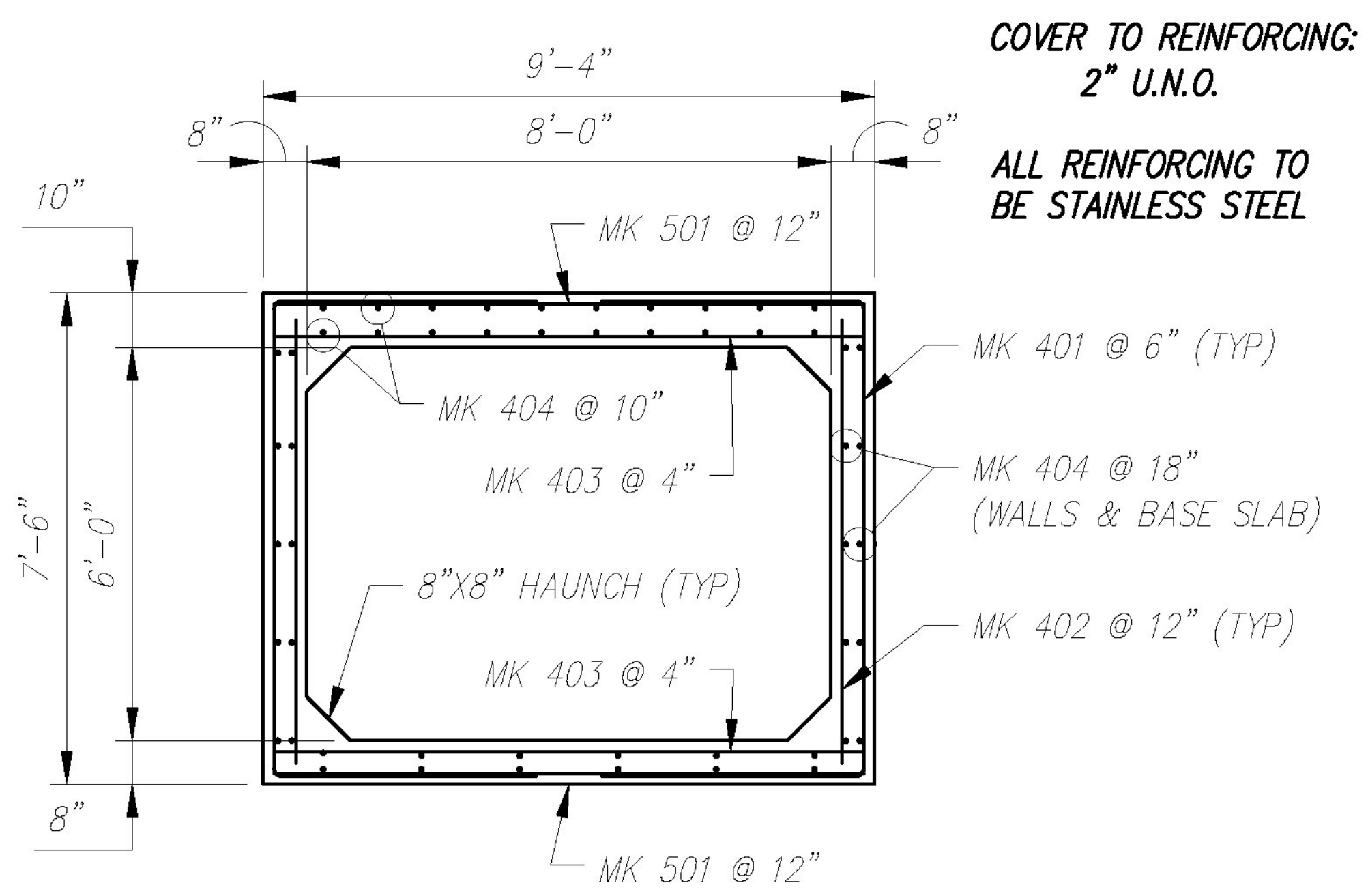
Culvert Rebar Schedule			
MK	QTY	LENGTH	
401 #4	30	15' - 2"	
402 #4	16	6' - 9"	
403 #4	48	9' - 0"	
* 404 #4	52	7' - 2"	
* 501 #5	16	9' - 0"	

* MAKE (3) EXTRA BARS EACH OF MK 404 & MK 501 FOR VAOT TESTING

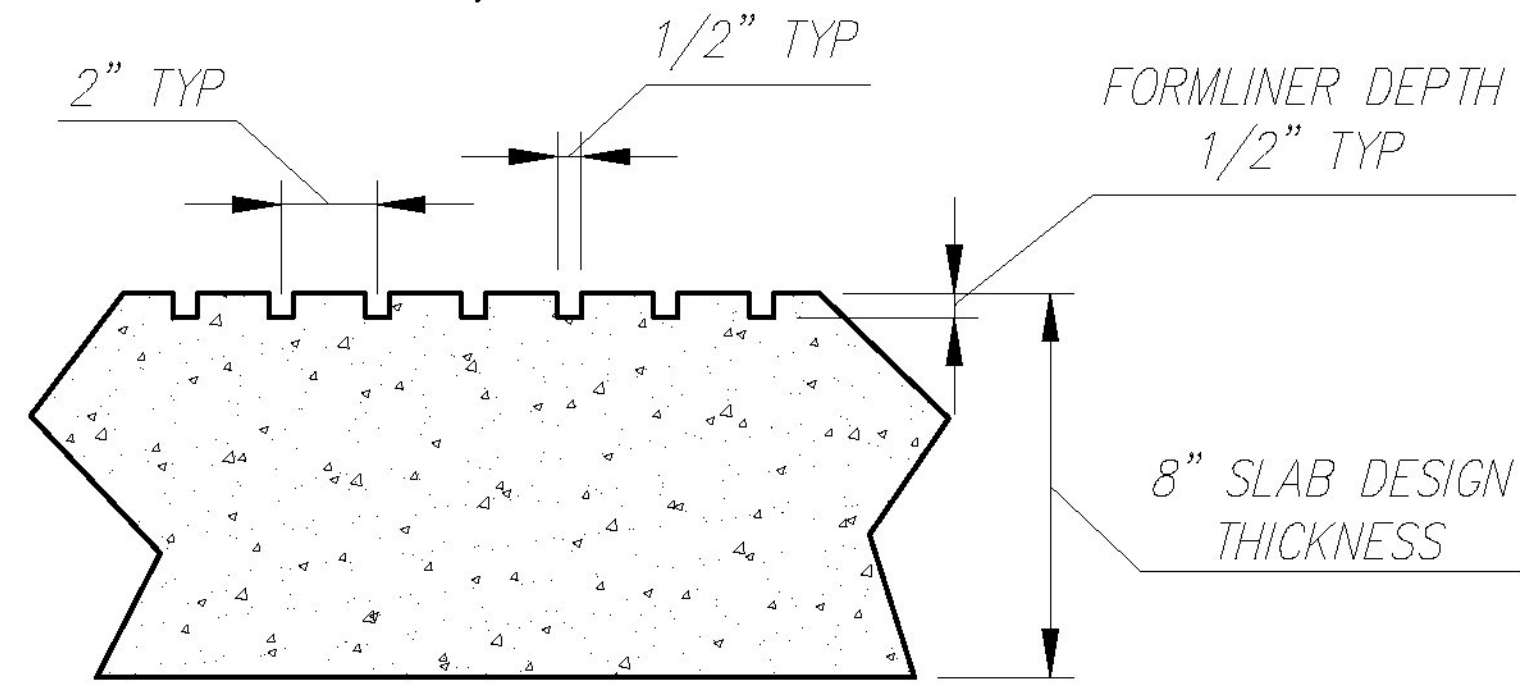


PLAN VIEW
Scale: 1/4" = 1'-0"

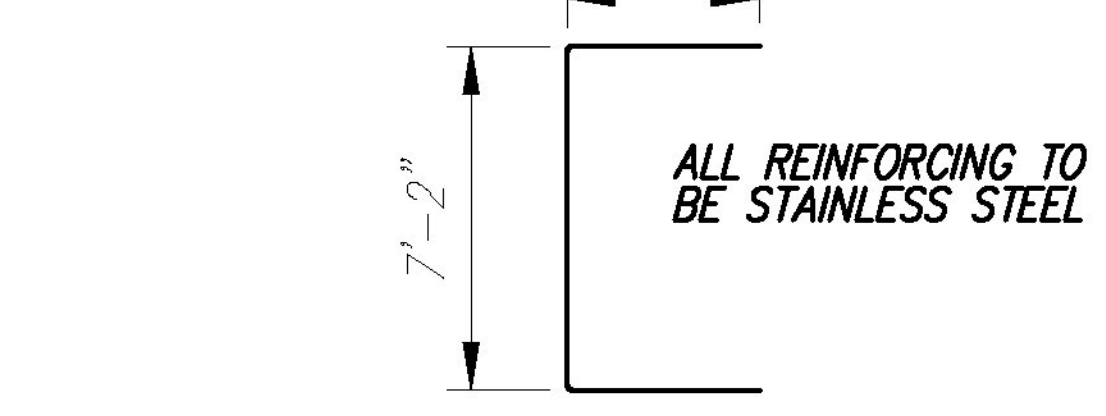
R. SIDE ELEVATION
Scale: 1/4" = 1'-0"



REINFORCING DETAIL
Scale: 1/4" = 1'-0"



1 CULVERT FLOOR DETAIL
Scale: 1 1/2" = 1'-0"



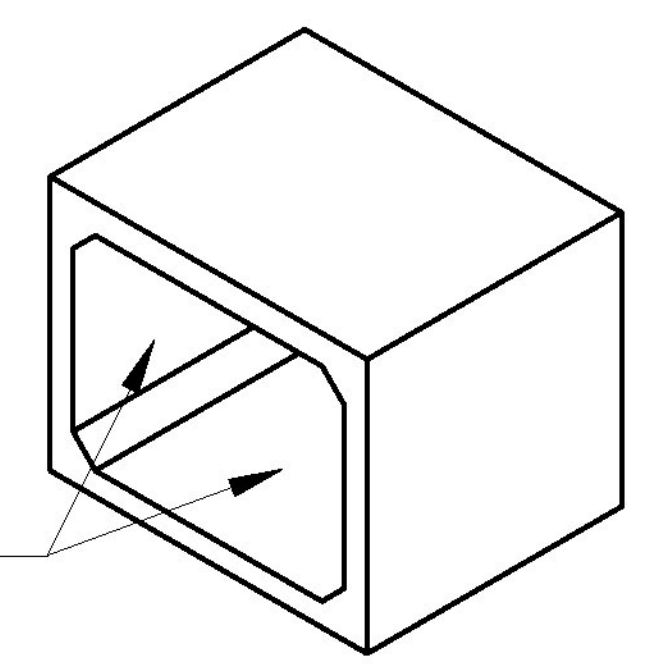
MK 401 #4 BAR
BENDING SCHEDULE
Scale: N.T.S.

Vermont Agency of Transportation
RECEIVED

CK'D BY CLB OK'D BY CWC

February 16, 2018

RESUBMIT NO Approved
BY C. CARLSON DATE 02/16/18



WATER REPELLENT LIMITS
SCALE: N.T.S.

Rev.	Date	DESCRIPTION	By
4	12/13/17	REV CONNECTION HARDWARE	BSS
3	12/01/17	NO CHANGES TO THIS SHEET	BSS
2	11/02/17	INDICATE EXTRA BARS FOR VAOT TESTING	BSS
1	08/17/17	REV PER CUSTOMER REVIEW	BSS
Rev.	Date	DESCRIPTION	By

6								
5								
CONCRETE SYSTEMS INC. 9 Commercial Street Hudson, New Hampshire 03051 (800) 342-3374 (603) 889-4163 FAX (603) 889-0039 www.csigroup.com			Drawn By B. SKELTON Date 07/10/2017	Reviewed By B.K./M.S. Date 07/17/2017	Approved By B. SKELTON Date 01/03/2018	Quantity: 7	Weight (Tons): 12.88	SHEET 11
FABRICATION DRAWING C2 Drawing No. C23199-C2						REV 4		