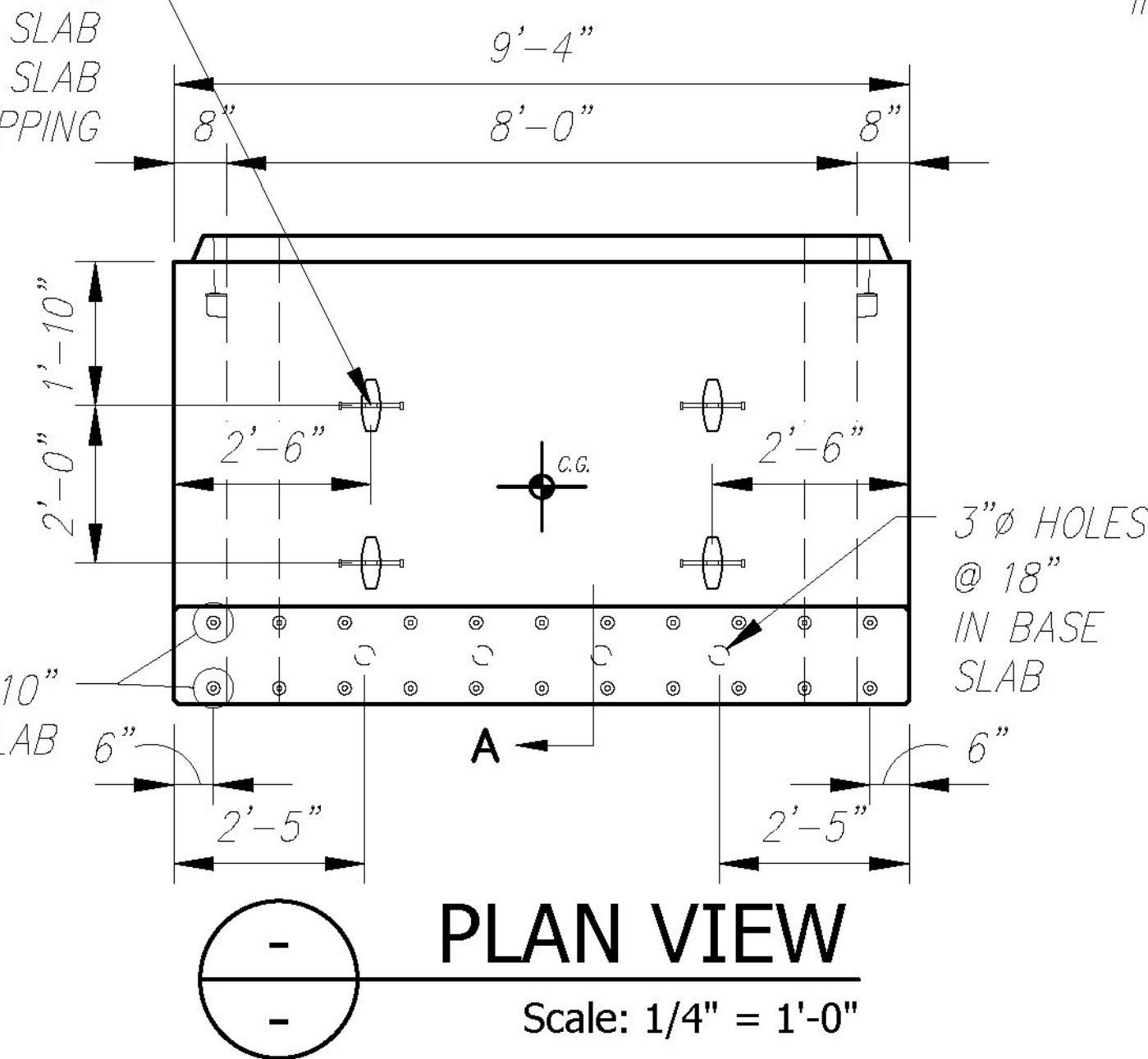


LUA86G UTILITY ANCHOR, GALV, TYP 4 PLACES IN TOP SLAB TYP 2 PLACES IN BASE SLAB FOR STRIPPING

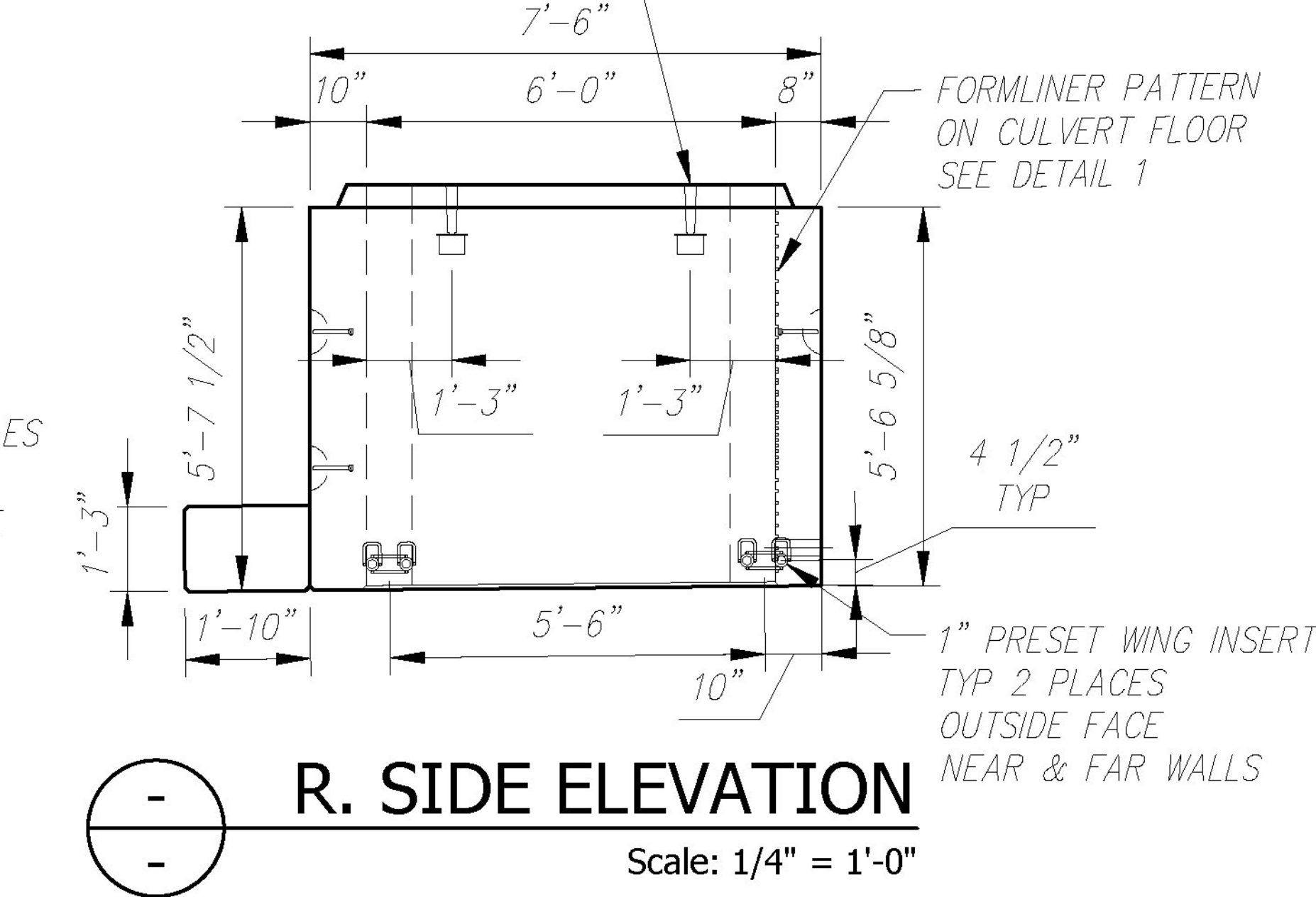
1" CHAMFER @ CULVERT OPENING



PLAN VIEW

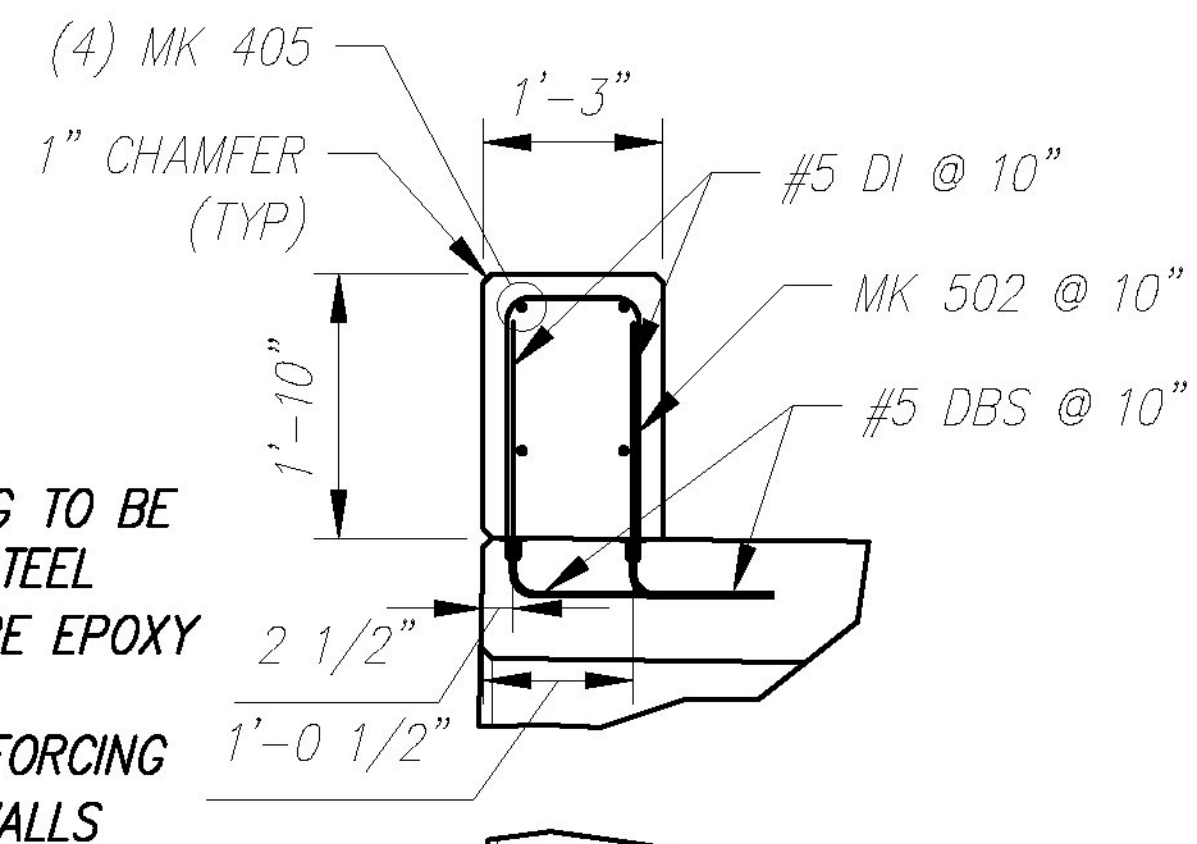
Scale: 1/4" = 1'-0"

RECESSED CONNECTION PLATES GALV, TYP. 2 PLACES INSIDE FACE, NEAR & FAR WALLS



R. SIDE ELEVATION

Scale: 1/4" = 1'-0"

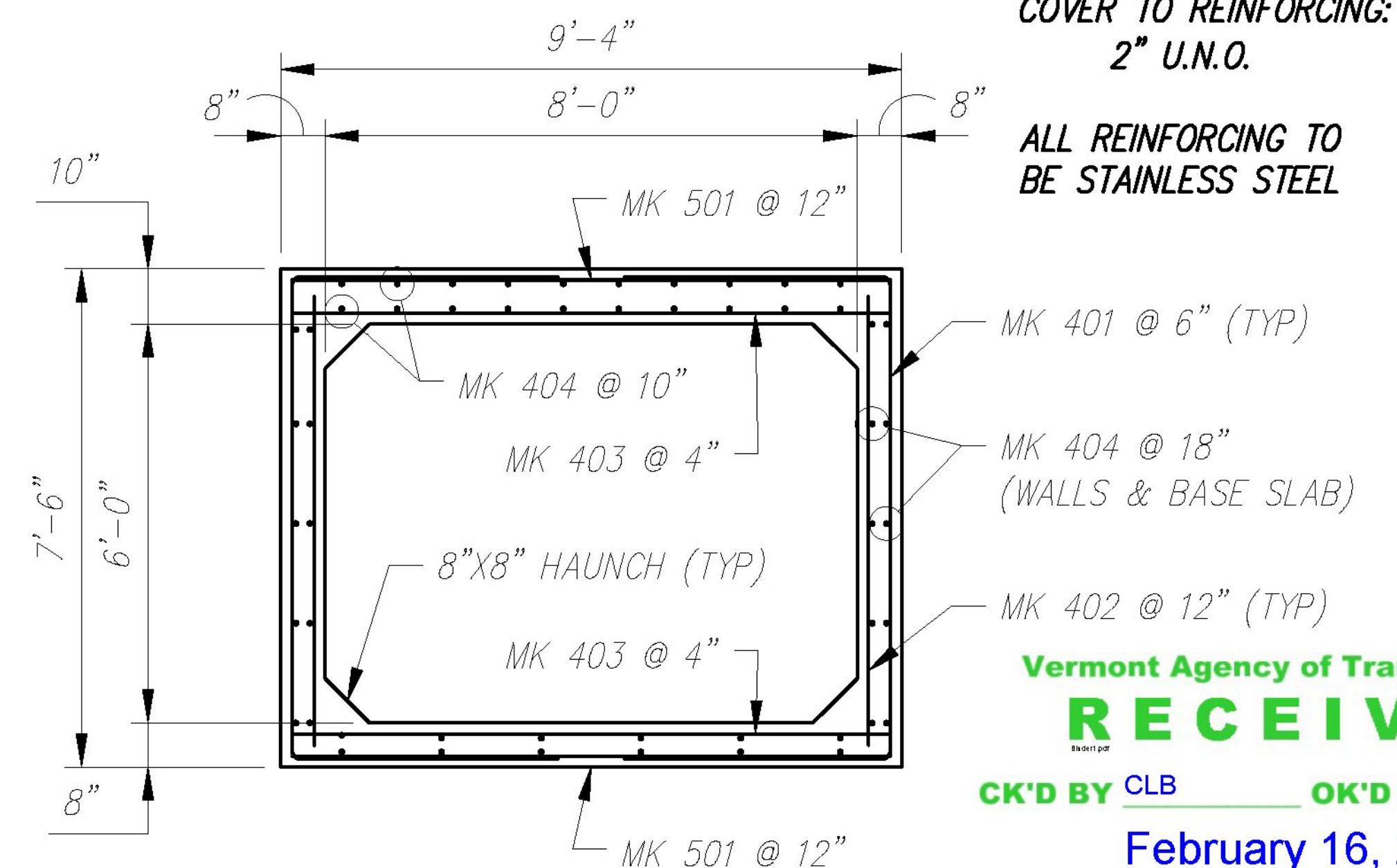


ALL REINFORCING TO BE STAINLESS STEEL
ALL DBS/DI TO BE EPOXY
COVER TO REINFORCING 2" IN HEADWALLS

1" CHAMFER ALL AROUND INSIDE FACE.

SECTION A

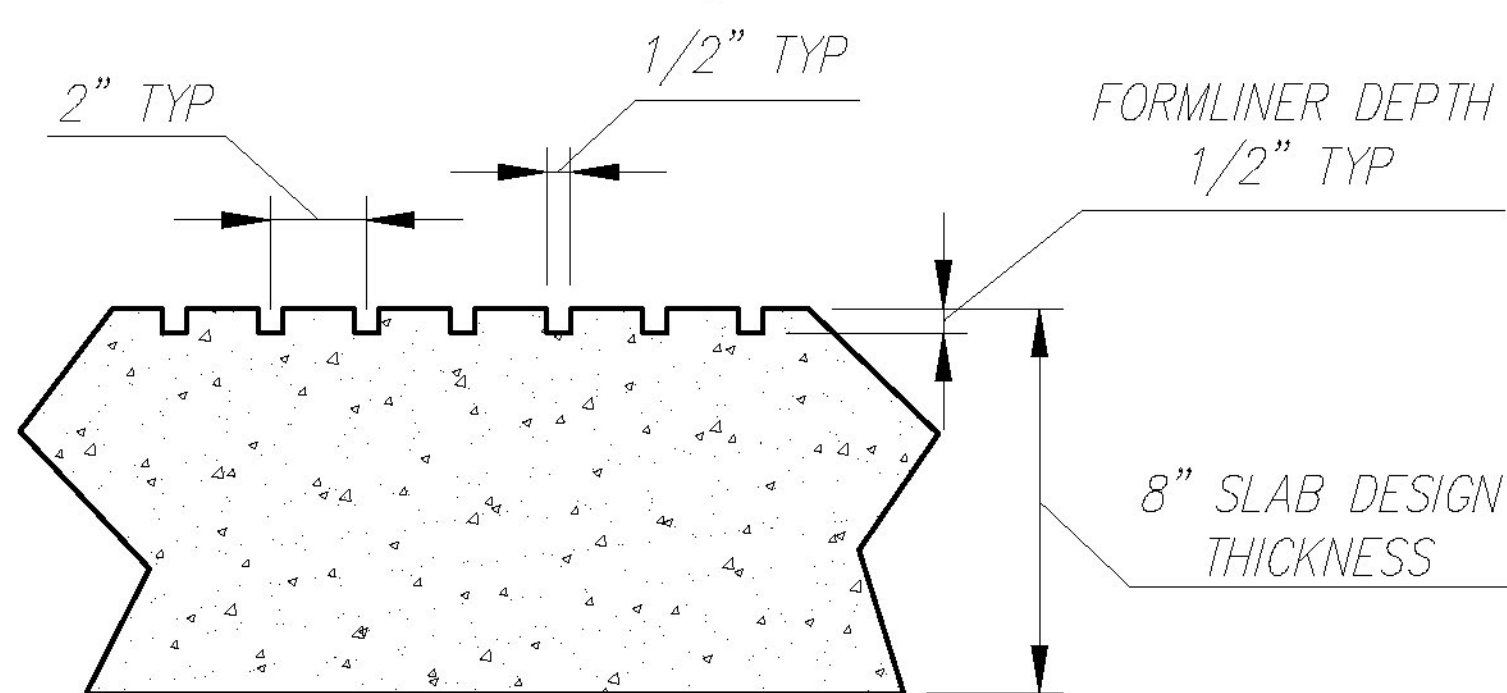
Scale: 3/8" = 1'-0"



REINFORCING DETAIL

Scale: 1/4" = 1'-0"

COVER TO REINFORCING: 2" U.N.O.
ALL REINFORCING TO BE STAINLESS STEEL

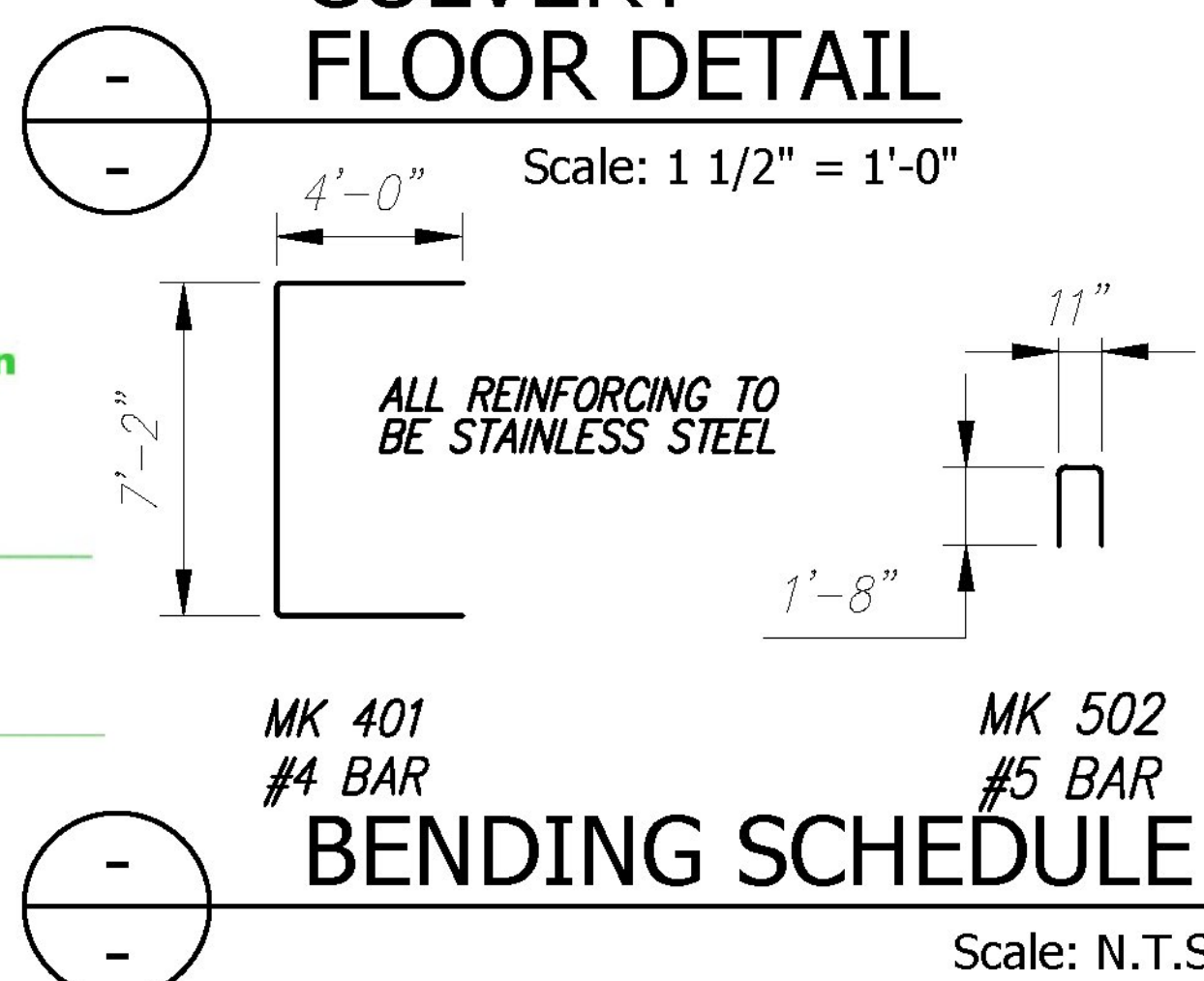


CULVERT FLOOR DETAIL

Scale: 1 1/2" = 1'-0"

Vermont Agency of Transportation
RECEIVED
CK'D BY CLB OK'D BY CWC
February 16, 2018

Approved BY C. CARLSON DATE 02/16/18



BENDING SCHEDULE

Scale: N.T.S.

C1 CULVERT - BILL OF MATERIALS / EMBEDS			
CSI ID#	DESCRIPTION	QTY	UM COMMENTS
DTJ	CERTI-VEX PENSEAL 244 40% AIM	0.74	GA
EM-0005A	1" X 8" PRESET WING INSERTS	4	EA
EM-00013	DBSAE #5 X 18" EPOXY	22	EA DOWEL BAR SPLICER
EM-00033	3" FOAM CORE PVC	2.67	FT
EM-00125	BOLT POCKET PLATES (GALVANIZED)	4	EA
EM-00115	UTILITY ANCHOR 8" - GALVANIZED	6	EA
DTJ	REBAR #4 STAINLESS STEEL	685	LB
DTJ	REBAR #5 STAINLESS STEEL	113	LB
MX-FA5000SC30	MIX DESIGN - FLY ASH 5000 SELF COMPACTIN	4.89	CY
C1 HEADWALL - BILL OF MATERIALS / EMBEDS			
DTJ	CERTI-VEX PENSEAL 244 40% AIM	0.23	GA
EM-00021	DI #5 X 18" EPOXY	22	EA DOWEL IN
DTJ	REBAR #4 STAINLESS STEEL	24	LB
DTJ	REBAR #5 STAINLESS STEEL	49	LB
MX-FA5000SC30	MIX DESIGN - FLY ASH 5000 SELF COMPACTIN	0.86	CY

All Rebar to be Stainless Steel
Culvert Rebar Schedule

MK	QTY	LENGTH
401 #4	24	15' - 2"
402 #4	12	6' - 9"
403 #4	34	9' - 0"
* 404 #4	52	5' - 3.5"
* 501 #5	12	9' - 0"

All Rebar to be Stainless Steel
Headwall Rebar Schedule

MK	QTY	LENGTH
405 #4	4	9' - 0"
502 #5	11	4' - 3"

* MAKE (3) EXTRA BARS EACH OF MK 404 & MK 501 FOR VAOT TESTING

WATER REPELLENT ON FRONT FACE OF CULVERT AND ENTIRE HEADWALL

WATER REPELLENT ON ALL INTERIOR SURFACES

WATER REPELLENT LIMITS

SCALE: N.T.S.

Rev.	Date	DESCRIPTION	By
4	12/13/17	REV CONNECTION HARDWARE	BSS
3	12/01/17	NO CHANGES TO THIS SHEET	BSS
2	11/02/17	INDICATE EXTRA BARS FOR VAOT TESTING	BSS
1	08/17/17	REV PER CUSTOMER REVIEW	BSS

CONCRETE SYSTEMS INC.
9 Commercial Street
Hudson, New Hampshire 03051
(800) 342-3374 (603) 889-4163
FAX (603) 889-0039 www.csigroup.com

Drawn By B. SKELTON Date 07/10/2017
Reviewed By B.K./M.S. Date 07/17/2017
Approved By B. SKELTON Date 01/03/2018

FABRICATION DRAWING C1
Drawing No. C23199-C1
Quantity: 1 Weight (Tons): 11.66 SHEET 10
REV 4