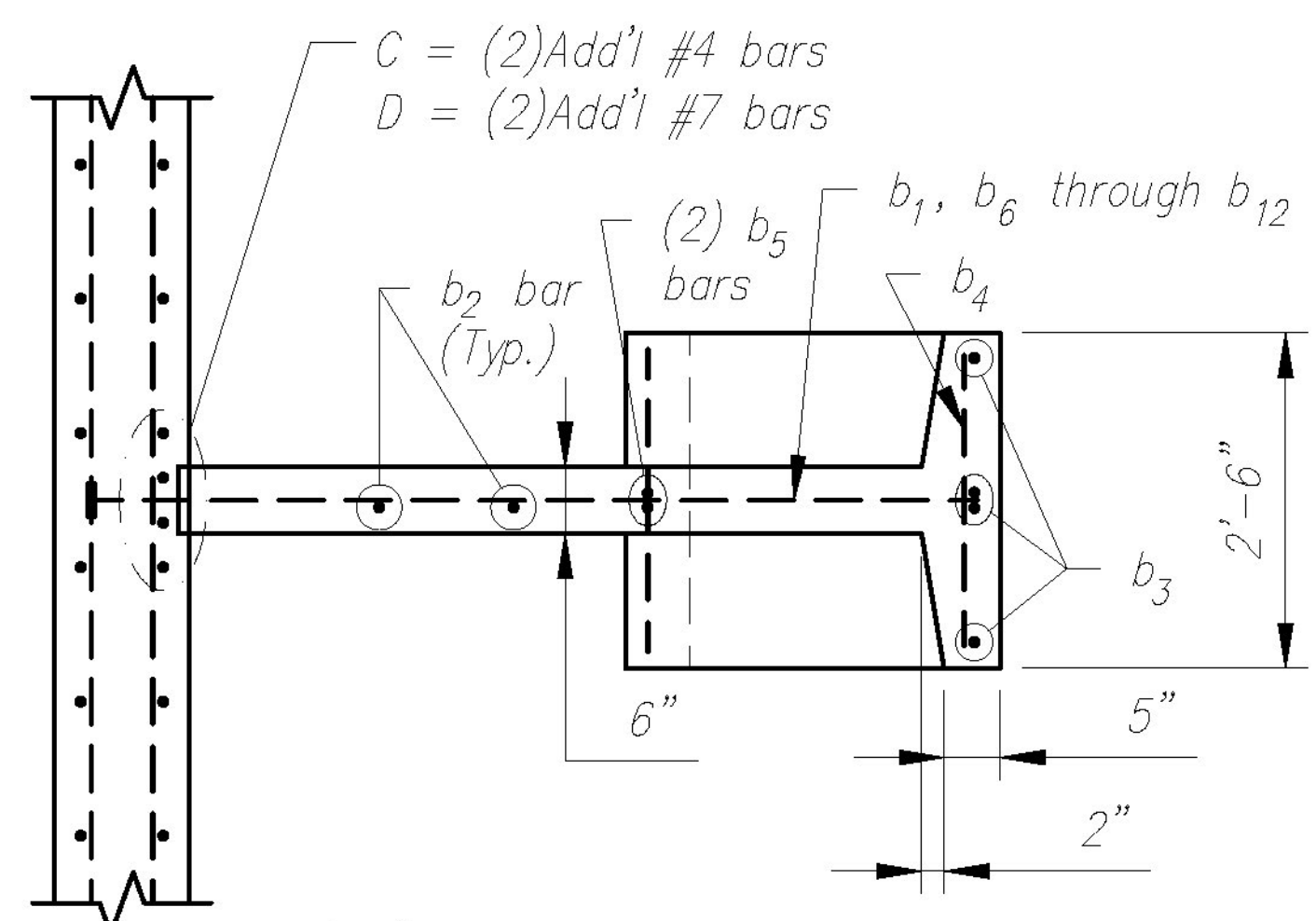


ALL REINFORCING TO BE STAINLESS STEEL



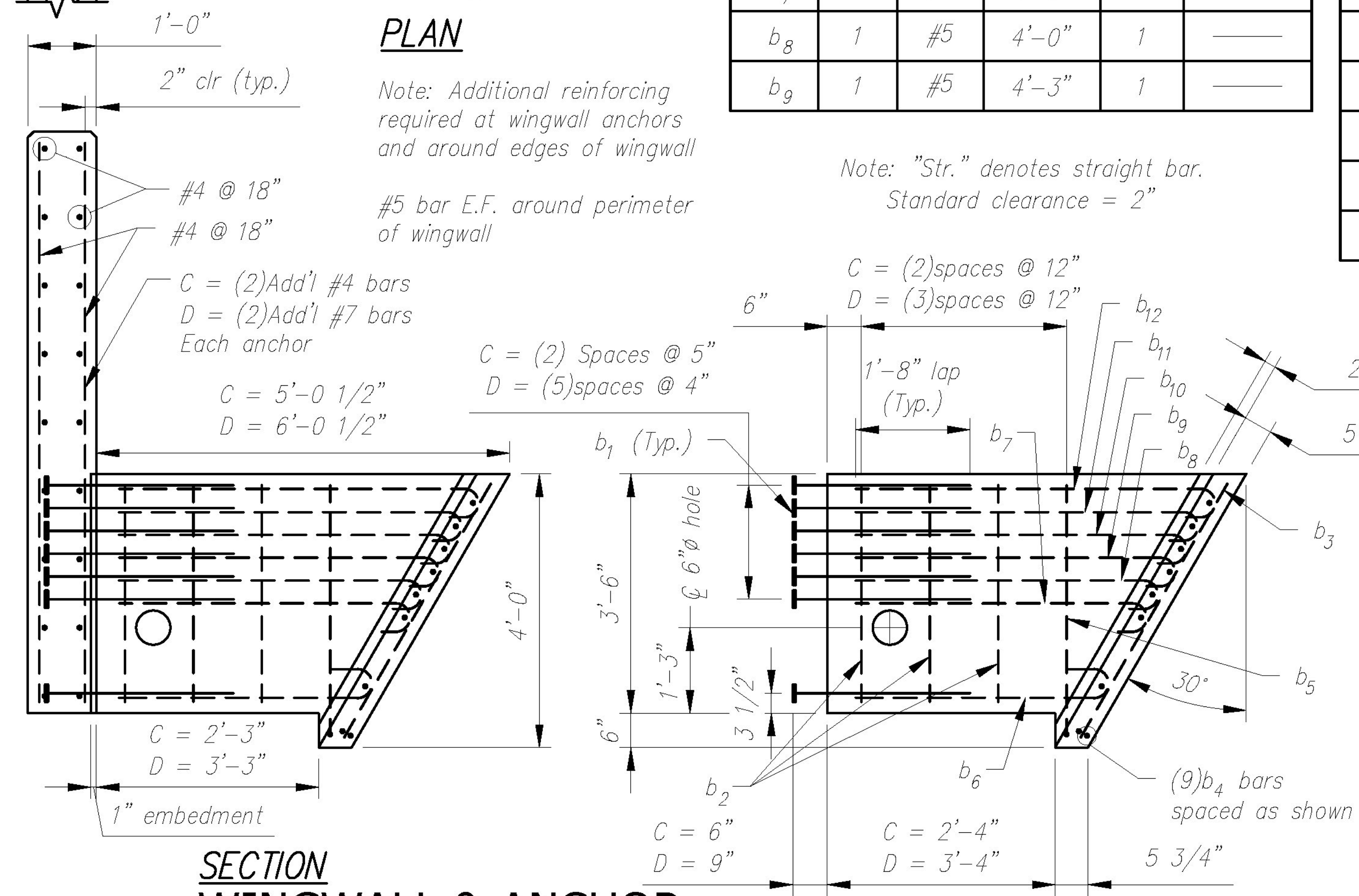
PLAN

Note: Additional reinforcing required at wingwall anchors and around edges of wingwall
 #5 bar E.F. around perimeter of wingwall

"C" ANCHOR BAR LIST					
MARK	QTY.	SIZE	a	TYPE	LENGTH
b ₁	4	#6	2'-7"	3	---
b ₂	2	#5	---	Str.	3'-2"
b ₃	4	#5	---	Str.	4'-2"
b ₄	7	#5	---	Str.	2'-2"
b ₅	2	#5	3'-8"	2	---
b ₆	1	#5	2'-9"	1	---
b ₇	1	#5	3'-9"	1	---
b ₈	1	#5	4'-0"	1	---
b ₉	1	#5	4'-3"	1	---

"D" ANCHOR BAR LIST					
MARK	QTY.	SIZE	a	TYPE	LENGTH
b ₁	7	#6	2'-10"	3	---
b ₂	3	#5	---	Str.	3'-2"
b ₃	4	#5	---	Str.	4'-3"
b ₄	9	#5	---	Str.	2'-2"
b ₅	2	#5	3'-8"	2	---
b ₆	1	#5	3'-9"	1	---
b ₇	1	#5	4'-3"	1	---
b ₈	1	#5	4'-5"	1	---
b ₉	1	#5	4'-8"	1	---
b ₁₀	1	#5	4'-10"	1	---
b ₁₁	1	#5	5'-0"	1	---
b ₁₂	1	#5	5'-3"	1	---

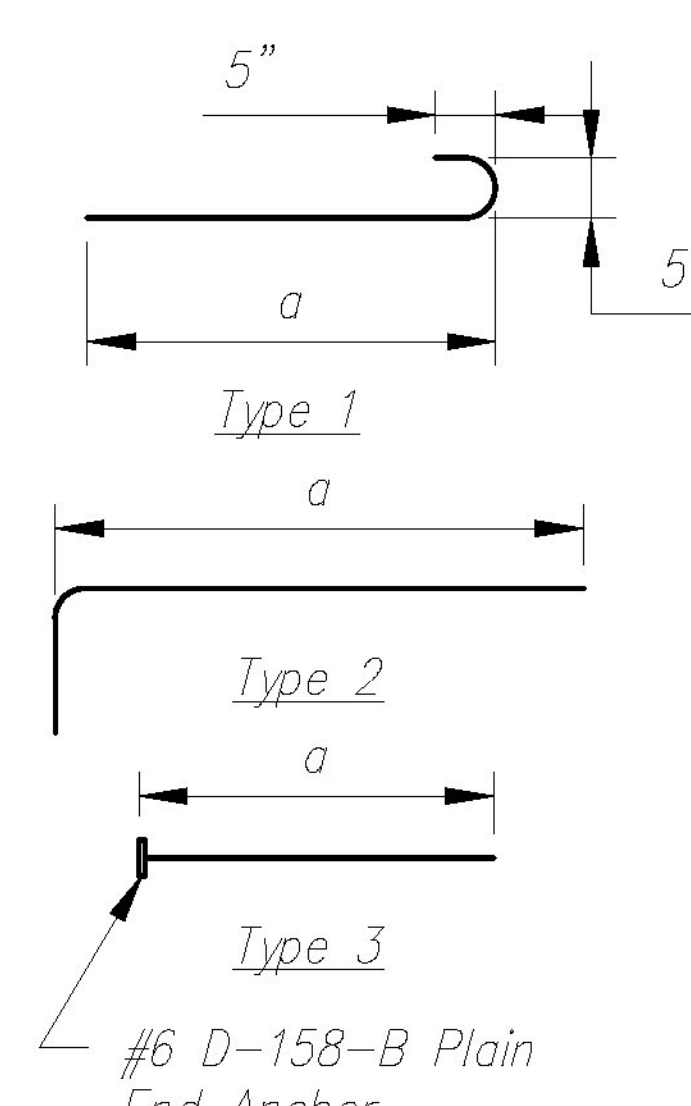
Note: "Str." denotes straight bar.
 Standard clearance = 2"



SECTION
 WINGWALL & ANCHOR
 REINFORCING DETAIL

PRECAST ANCHOR TYPE C or D

Scale: N.T.S.



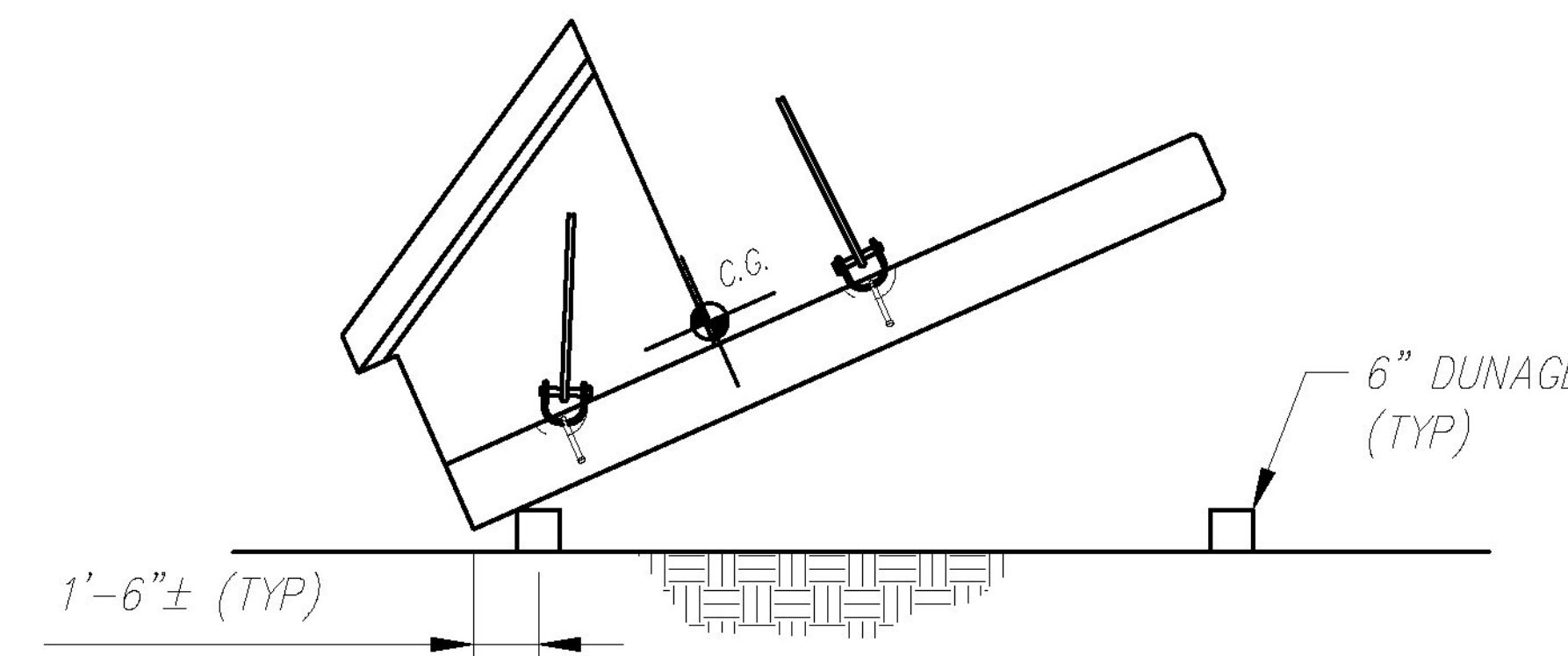
#6 D-158-B Plain End Anchor

Vermont Agency of Transportation
RECEIVED

CK'D BY CLB OK'D BY CWC

February 16, 2018

RESUBMIT NO Approved
 BY C. CARLSON DATE 02/16/18

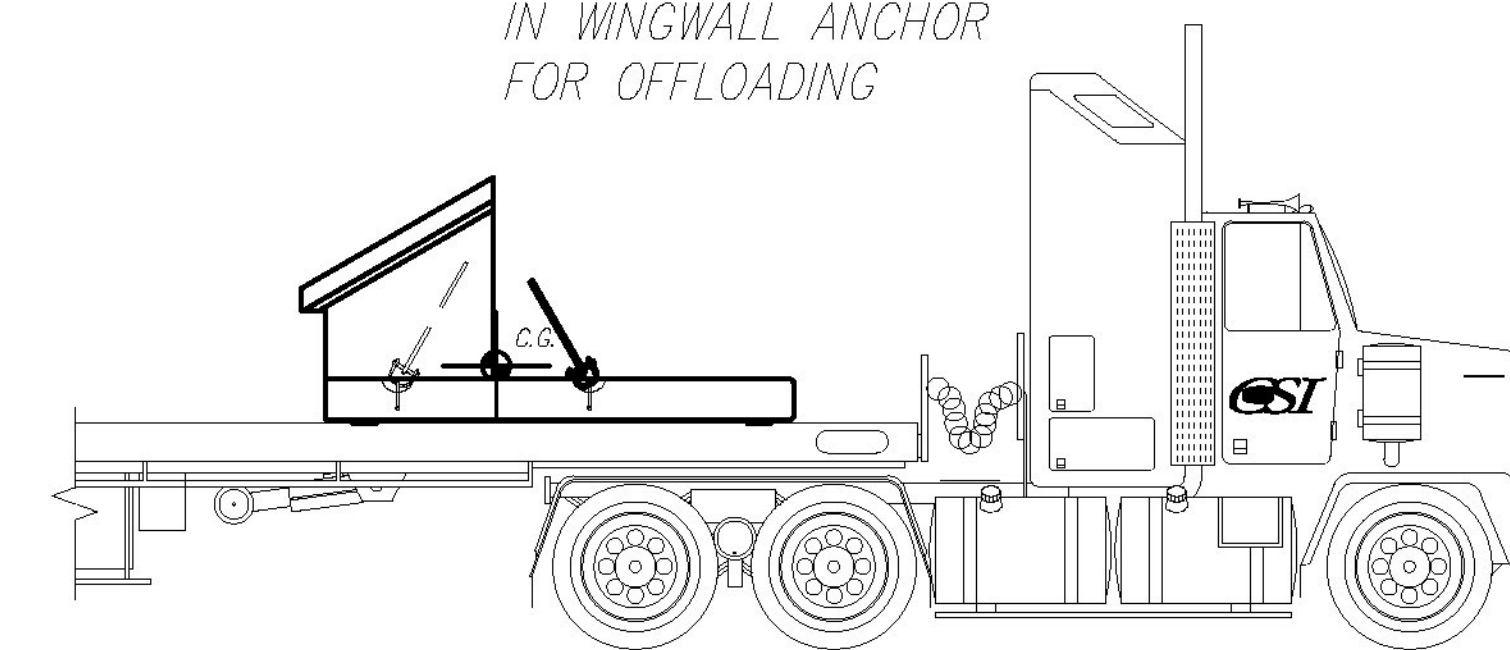


WINGWALL
 TRIPPING DETAIL

Scale: N.T.S.

OFFLOADING BY OTHERS

DO NOT USE INSERTS
 IN WINGWALL ANCHOR
 FOR OFFLOADING



WINGWALL
 OFFLOADING DETAIL

Scale: N.T.S.

Rev.	Date	DESCRIPTION	By
5			
4	12/13/17	NO CHANGES TO THIS SHEET	BSS
3	12/01/17	NO CHANGES TO THIS SHEET	BSS
2	11/02/17	NO CHANGES TO THIS SHEET	BSS
1	08/17/17	REV PER CUSTOMER REVIEW	BSS

REVISIONS

CONCRETE SYSTEMS INC.
 9 Commercial Street
 Hudson, New Hampshire 03051
 (800) 342-3374 (603) 889-4163
 FAX (603) 889-0039 www.csigroup.com

Drawn By
 B. SKELTON
 Date
 07/10/2017
 Reviewed By
 B.K./M.S.
 Date
 07/17/2017
 Approved By
 B. SKELTON
 Date
 01/03/2018

WINGWALL REINFORCING/MISC. DETAILS
 Drawing No. C23199-DET4
 Proj. No: STP HES 030-2(28) SHEET 9
 REV 4