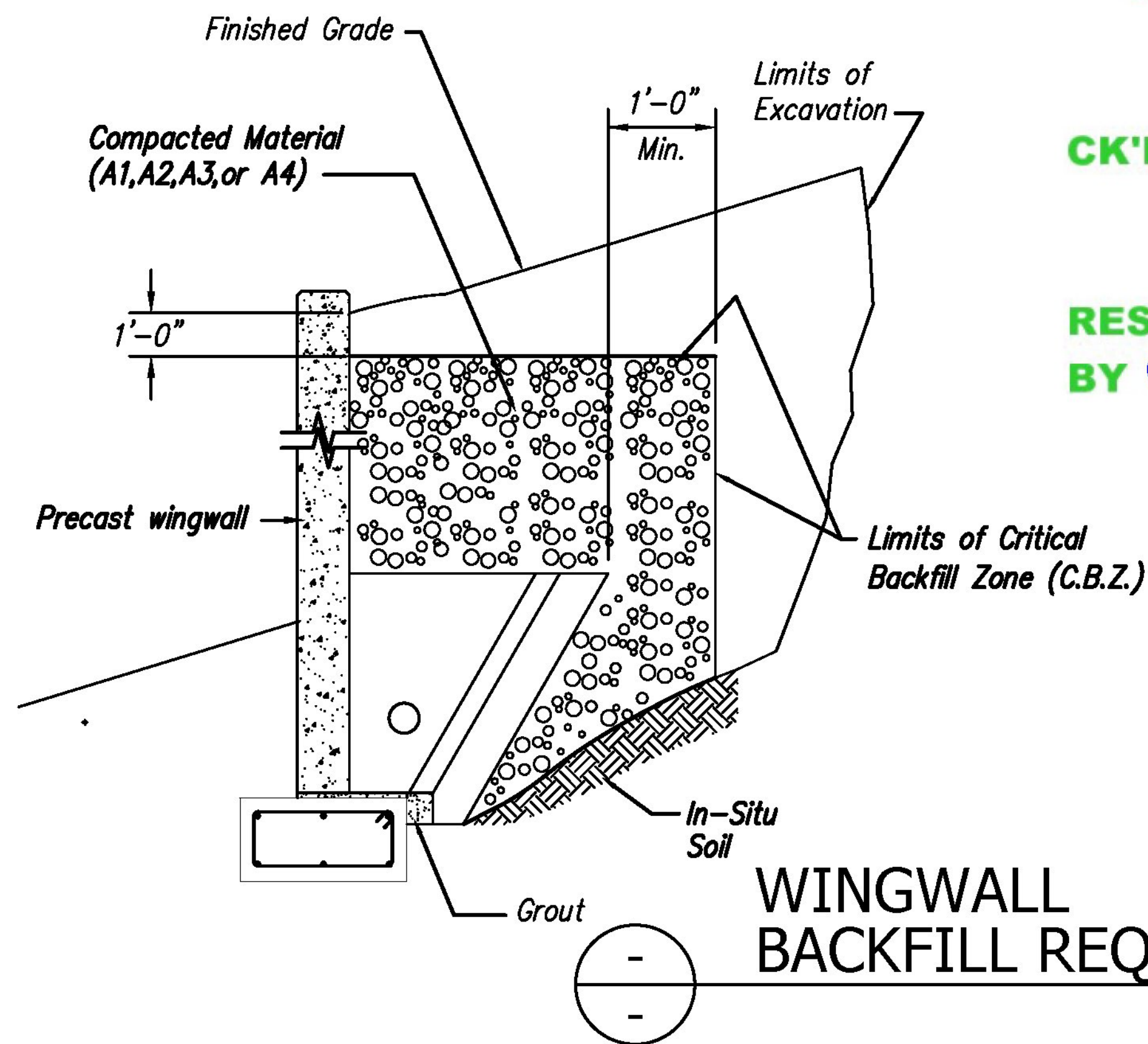


BACKFILL DESCRIPTION							
Group Classification	A-1		A-3	A-2			
	A-1-a	A-1-b		A-2-4	A-2-5	A-2-6	A-2-7
<i>Sieve Analysis, Percent Passing</i>							
No. 10	50 max.						
No. 40	30 max.	50 max.	51 min.				
No. 200	15 max.	25 max.	10 max.	35 max.	35 max.	35 max.	35 max.
<i>Characteristics of Fraction Passing</i>							
No. 40							
Liquid Limit				40 max.	41 min.	40 max.	41 min.
Plasticity Index				10 max.	10 max.	11 min.	11 min.
Usual Types of Significant Constituent Materials	Stone Fragments, Gravel & Sand		Fine Sand	Silty or Clayey Gravel and Sand			
General Rating as Subgrade			Excellent to Good				

NOTES

- BACKFILLING OPERATIONS WITHIN THE C.B.Z. SHALL BE PERFORMED IN LIFTS OF 8" OR LESS (LOOSE DEPTH).
- MAXIMUM DRY DENSITY SHALL BE DETERMINED BY AASHTO T-99 OR OTHER APPROVED METHODS.
- BACKFILL SHALL BE COMPACTED IN LAYERS UNTIL THE DENSITY IS NOT LESS THAN 95% OF THE MAXIMUM DRY DENSITY.



WINGWALL BACKFILL REQUIREMENTS
Scale: N.T.S.

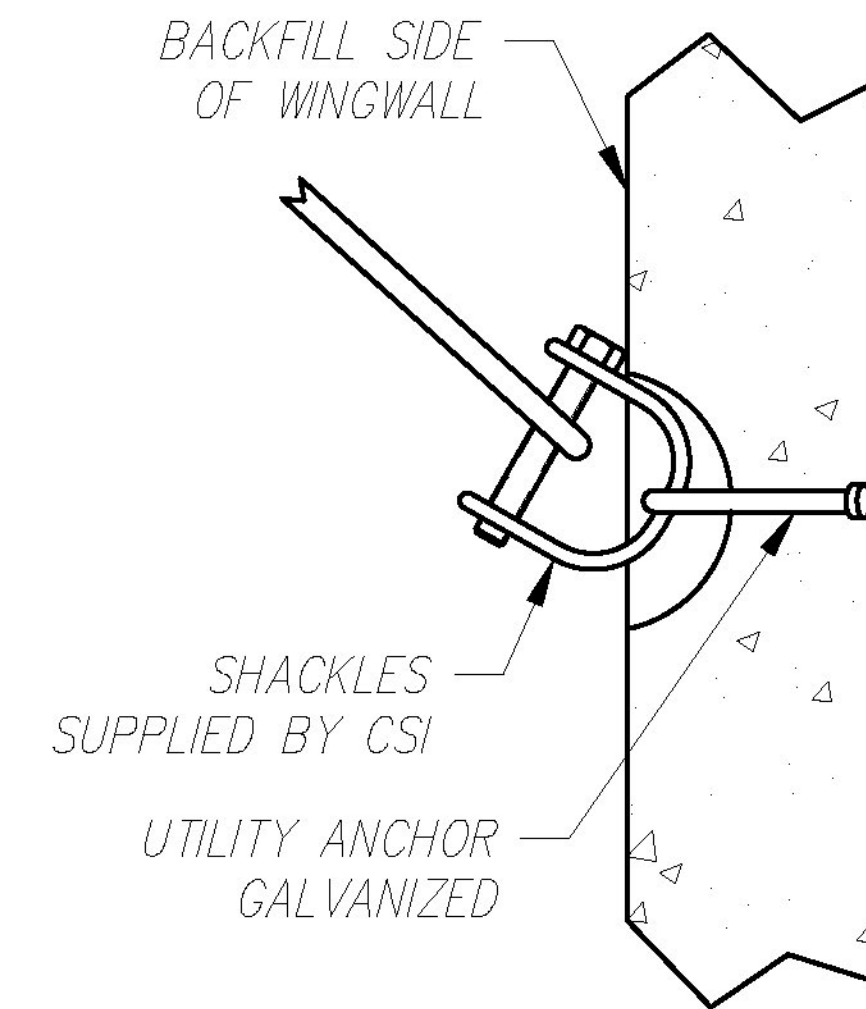
Vermont Agency of Transportation

RECEIVED

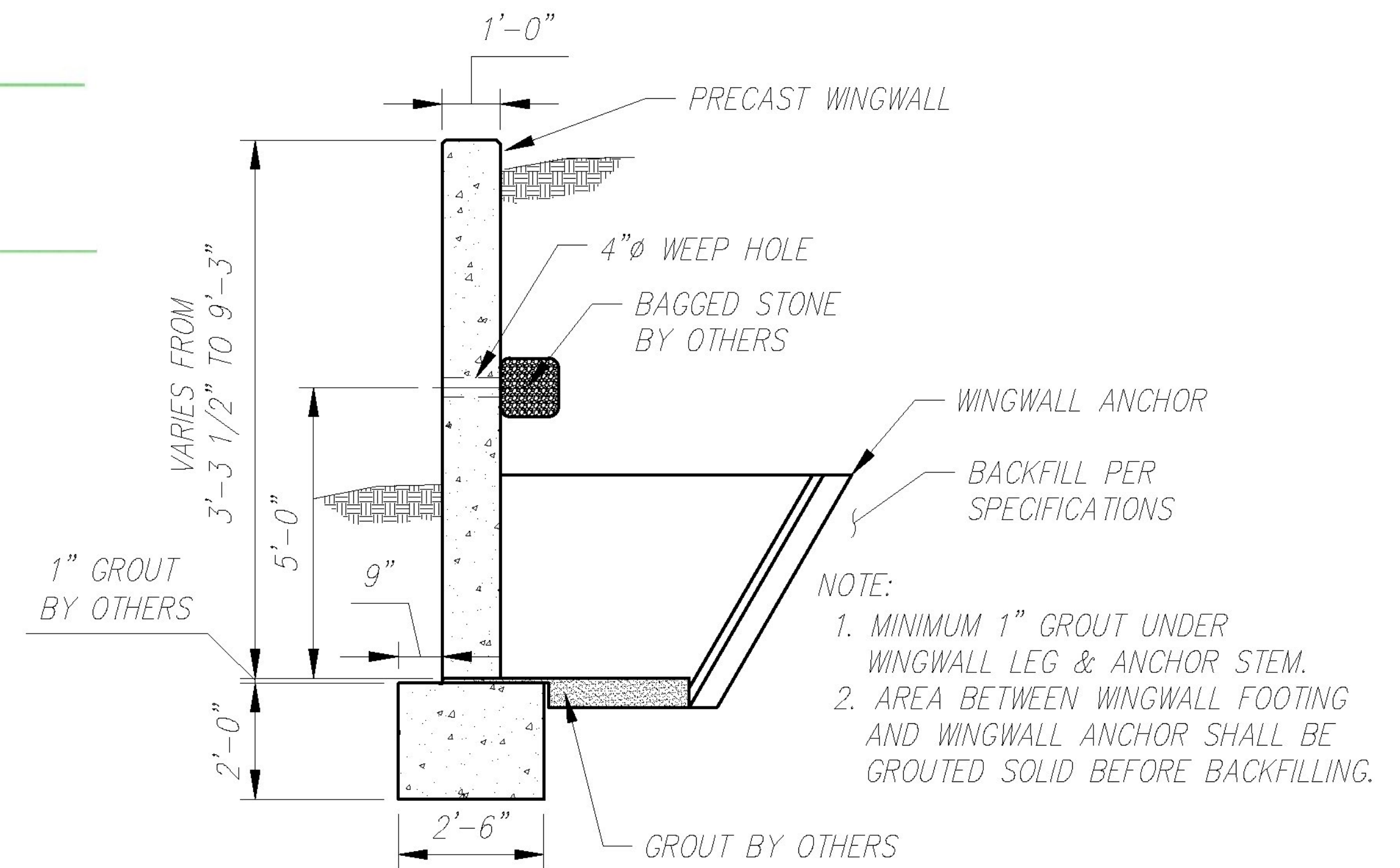
CK'D BY CLB OK'D BY CWC

February 16, 2018

RESUBMIT NO Approved
BY C. CARLSON DATE 02/16/18



WINGWALL LIFTING HARDWARE DETAIL
Scale: N.T.S.



TYPICAL WINGWALL SECTION
Scale: N.T.S.

Rev.	Date	DESCRIPTION	By
5			
4	12/13/17	NO CHANGES TO THIS SHEET	BSS
3	12/01/17	NO CHANGES TO THIS SHEET	BSS
2	11/02/17	NO CHANGES TO THIS SHEET	BSS
1	08/17/2017	REV PER CUSTOMER REVIEW	BSS
REVISIONS			

CONCRETE SYSTEMS INC.
9 Commercial Street
Hudson, New Hampshire 03051
(800) 342-3374 (603) 889-4163
FAX (603) 889-0039 www.csigroup.com

Drawn By
B. SKELTON
Date
07/10/2017
Reviewed By
B.K./M.S.
Date
07/17/2017
Approved By
B. SKELTON
Date
01/03/2018

B WINGWALL SECTION AND BACKFILL REQ.
Drawing No. C23199-DET3
Proj. No: STP HES 030-2(28) SHEET 8

REV
4