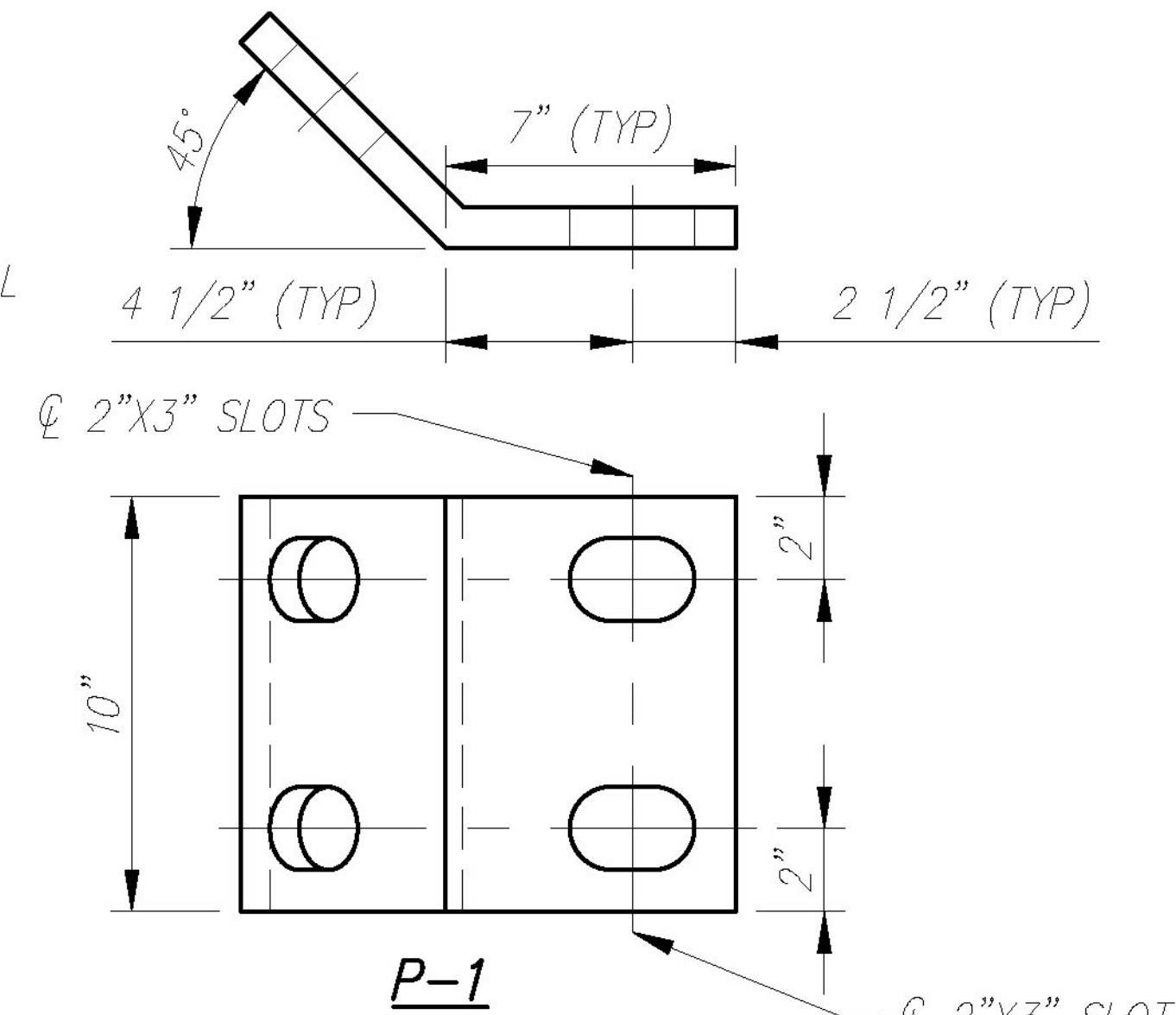


**WINGWALL CONNECTION
HARDWARE DETAIL #1**

W1
-

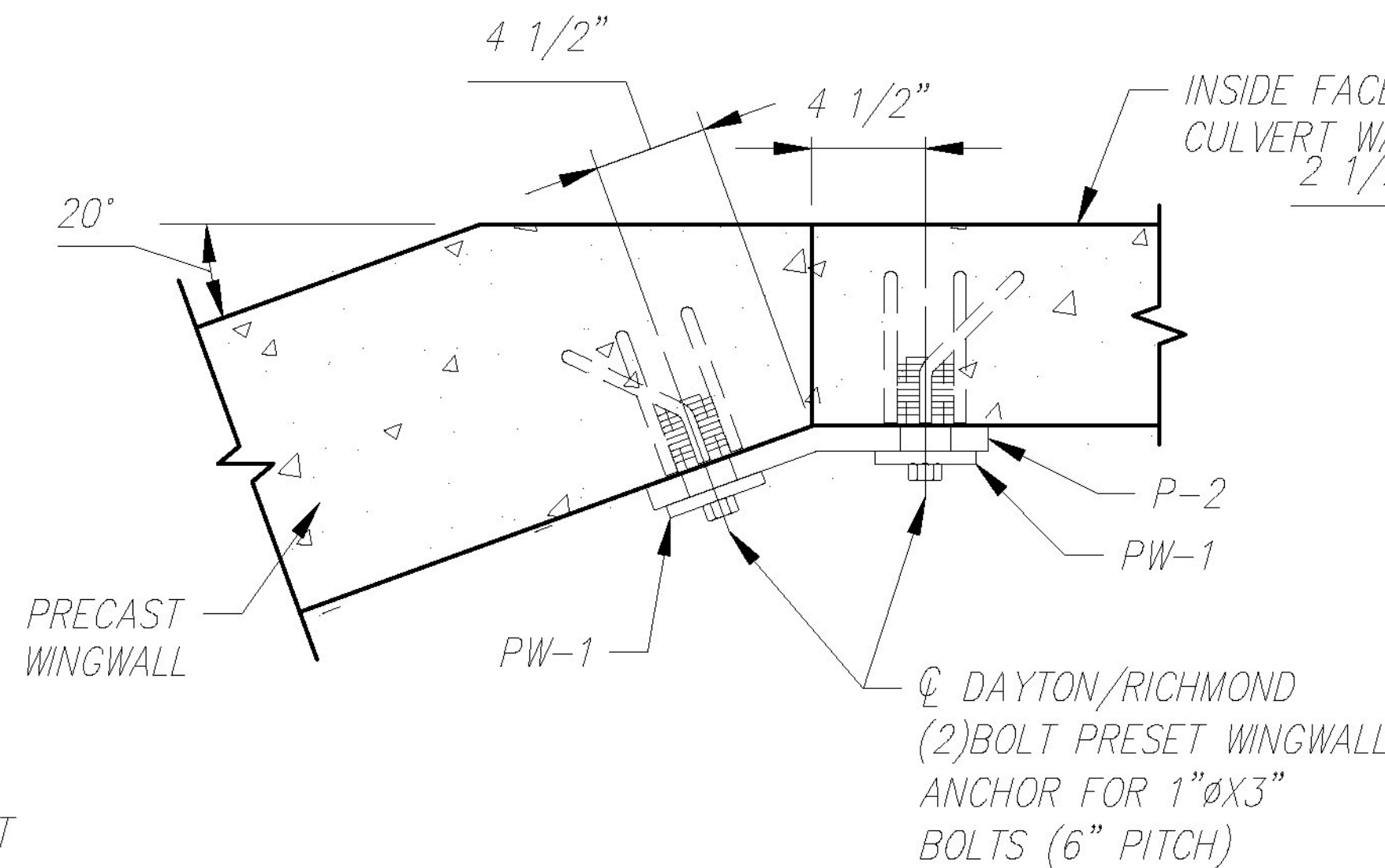
Scale: 1" = 1'-0"



**WINGWALL CONNECTION
PLATE P-1 DETAIL**

P1
-

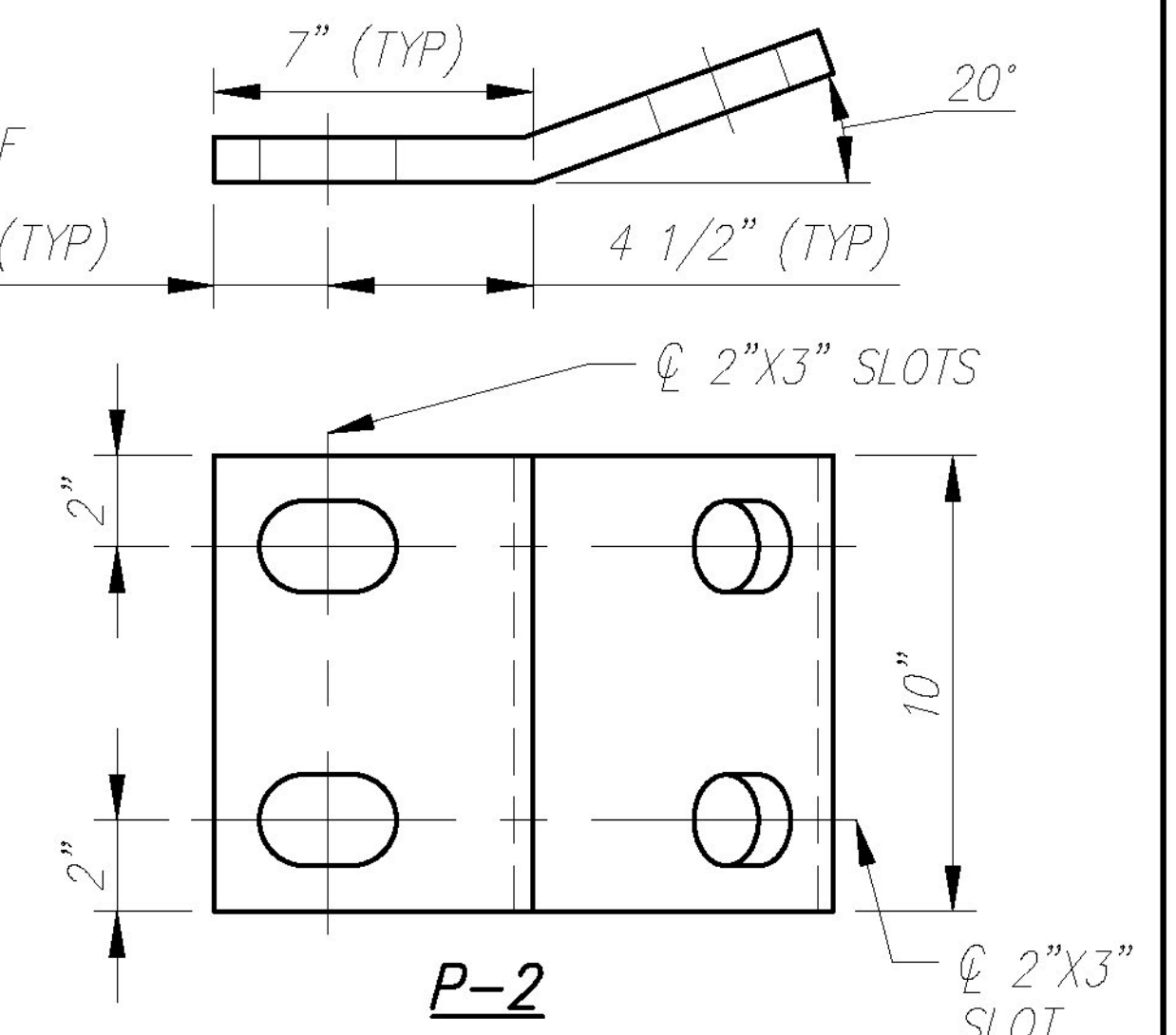
Scale: 1 1/2" = 1'-0"



**WINGWALL CONNECTION
HARDWARE DETAIL #2**

W2
-

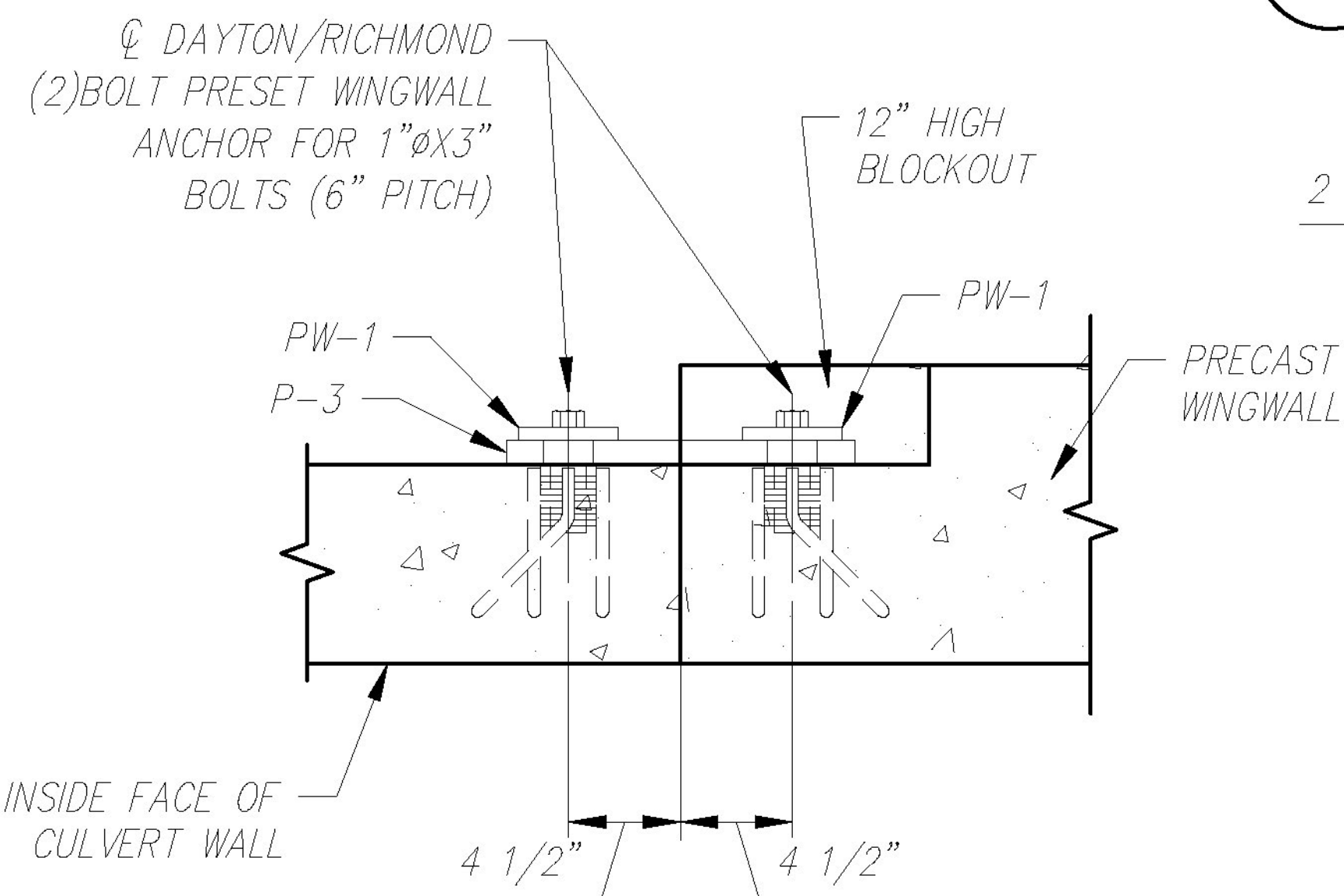
Scale: 1" = 1'-0"



**WINGWALL CONNECTION
PLATE P-2 DETAIL**

P2
-

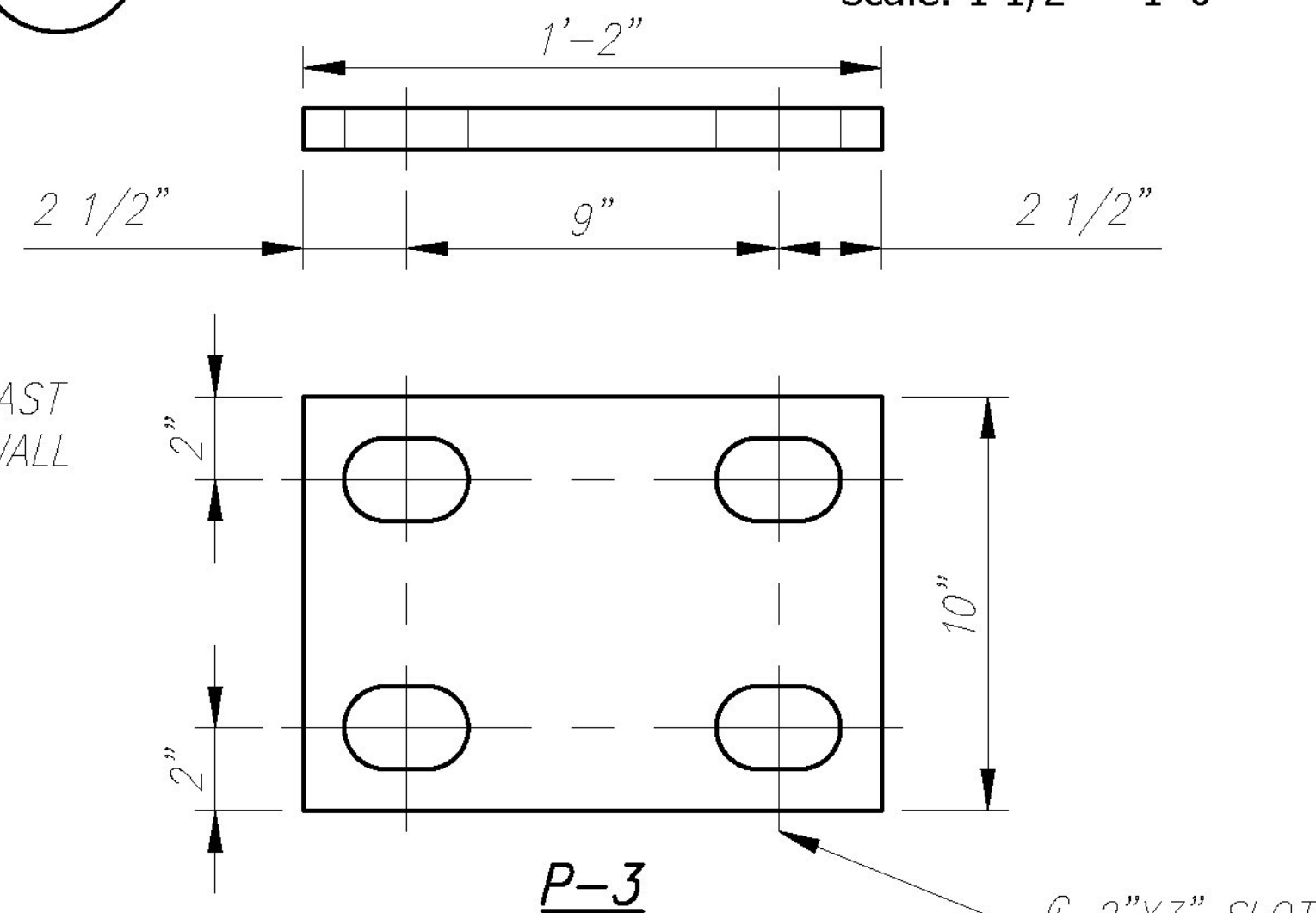
Scale: 1 1/2" = 1'-0"



**WINGWALL CONNECTION
HARDWARE DETAIL #3**

W3
-

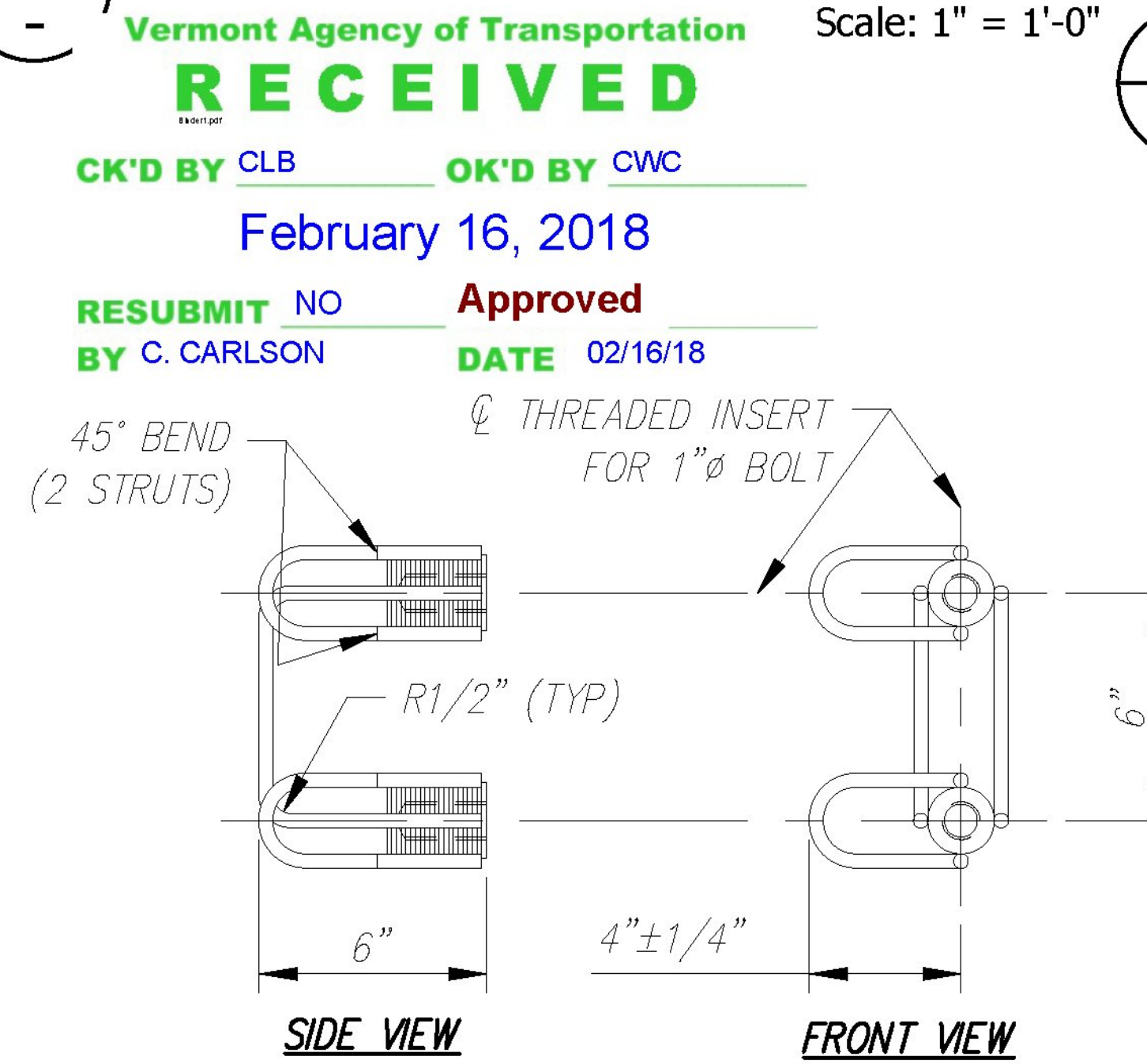
Scale: 1" = 1'-0"



**WINGWALL CONNECTION
PLATE P-3 DETAIL**

P3
-

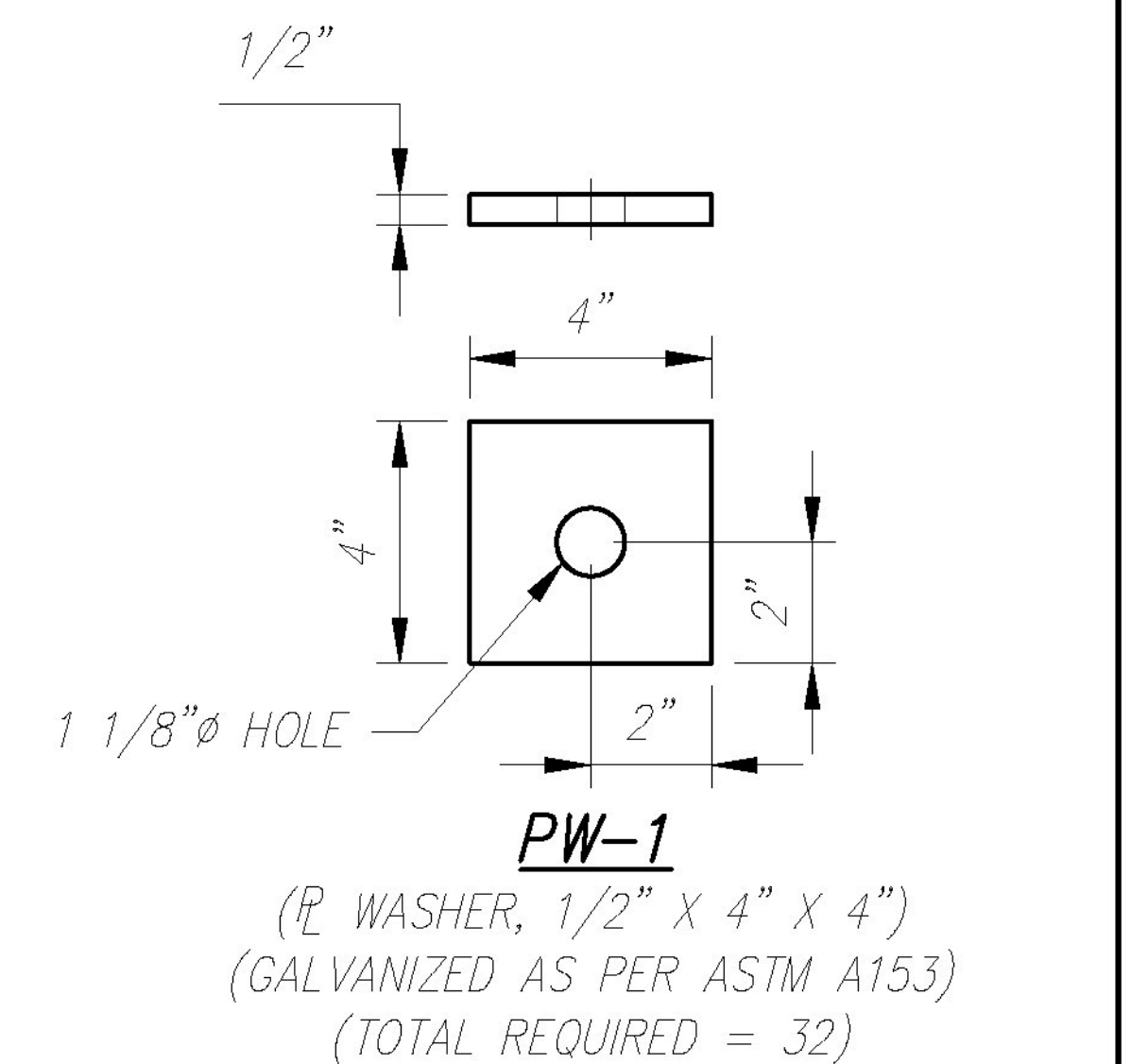
Scale: 1 1/2" = 1'-0"



**WINGWALL PRESET
ANCHOR INSERT DETAIL**

-
-

Scale: 1 1/2" = 1'-0"



**PLATE
WASHER DETAIL**

-
-

Scale: 2" = 1'-0"

Rev.	Date	DESCRIPTION	By
5			
4	12/13/17	NO CHANGES TO THIS SHEET	BSS
3	12/01/17	NO CHANGES TO THIS SHEET	BSS
2	11/02/17	NO CHANGES TO THIS SHEET	BSS
1	08/17/17	REV PER CUSTOMER REVIEW	BSS
REVISIONS			

CONCRETE SYSTEMS INC.
9 Commercial Street
Hudson, New Hampshire 03051
(800) 342-3374 (603) 889-4163
FAX (603) 889-0039 www.csigroup.com

Drawn By
B. SKELTON
Date
07/10/2017
Reviewed By
B.K./M.S.
Date
07/17/2017
Approved By
B. SKELTON
Date
01/03/2018

WINGWALL CONNECTION DETAILS
Drawing No. C23199-DET2
Proj. No: STP HES 030-2(28)
SHEET 7
REV 4