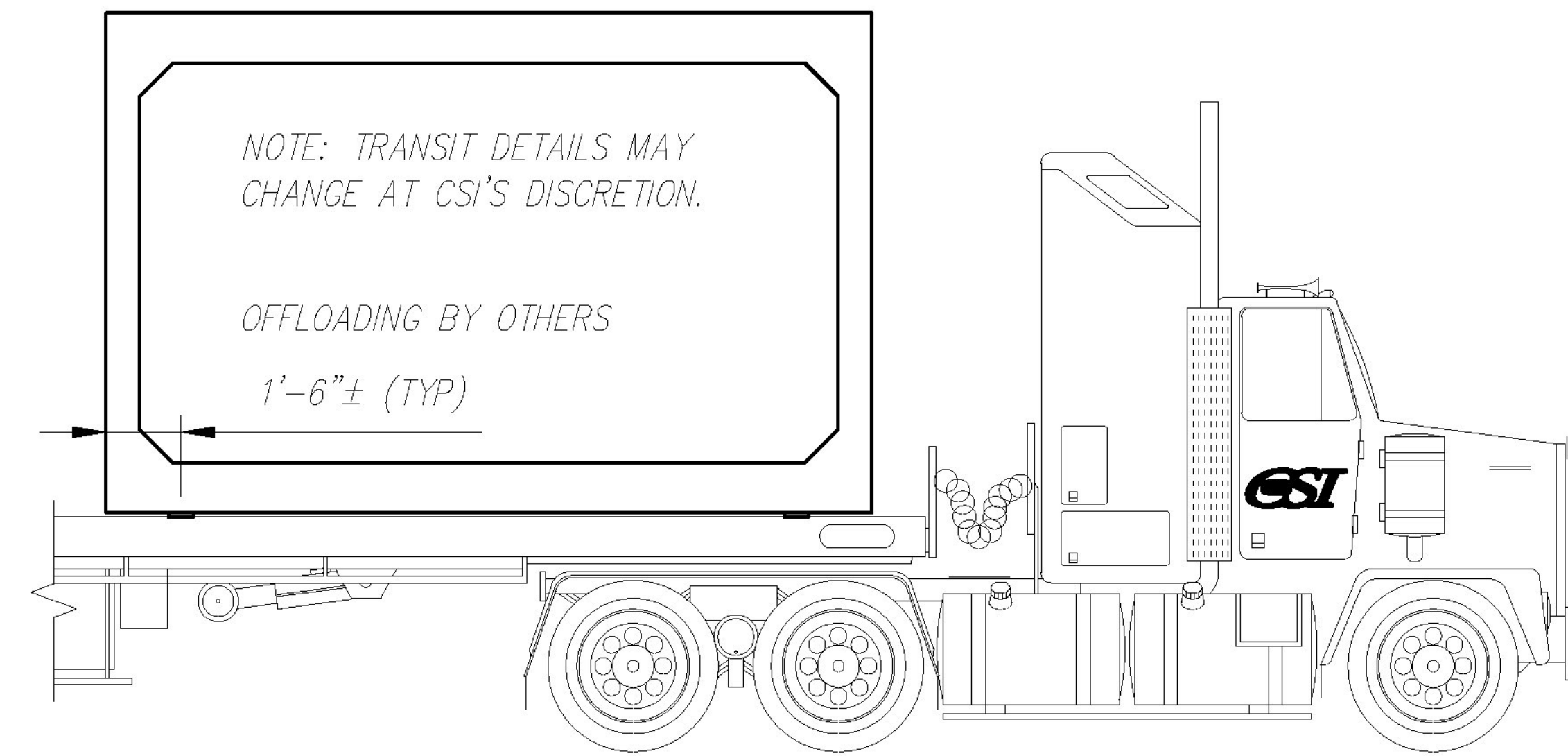


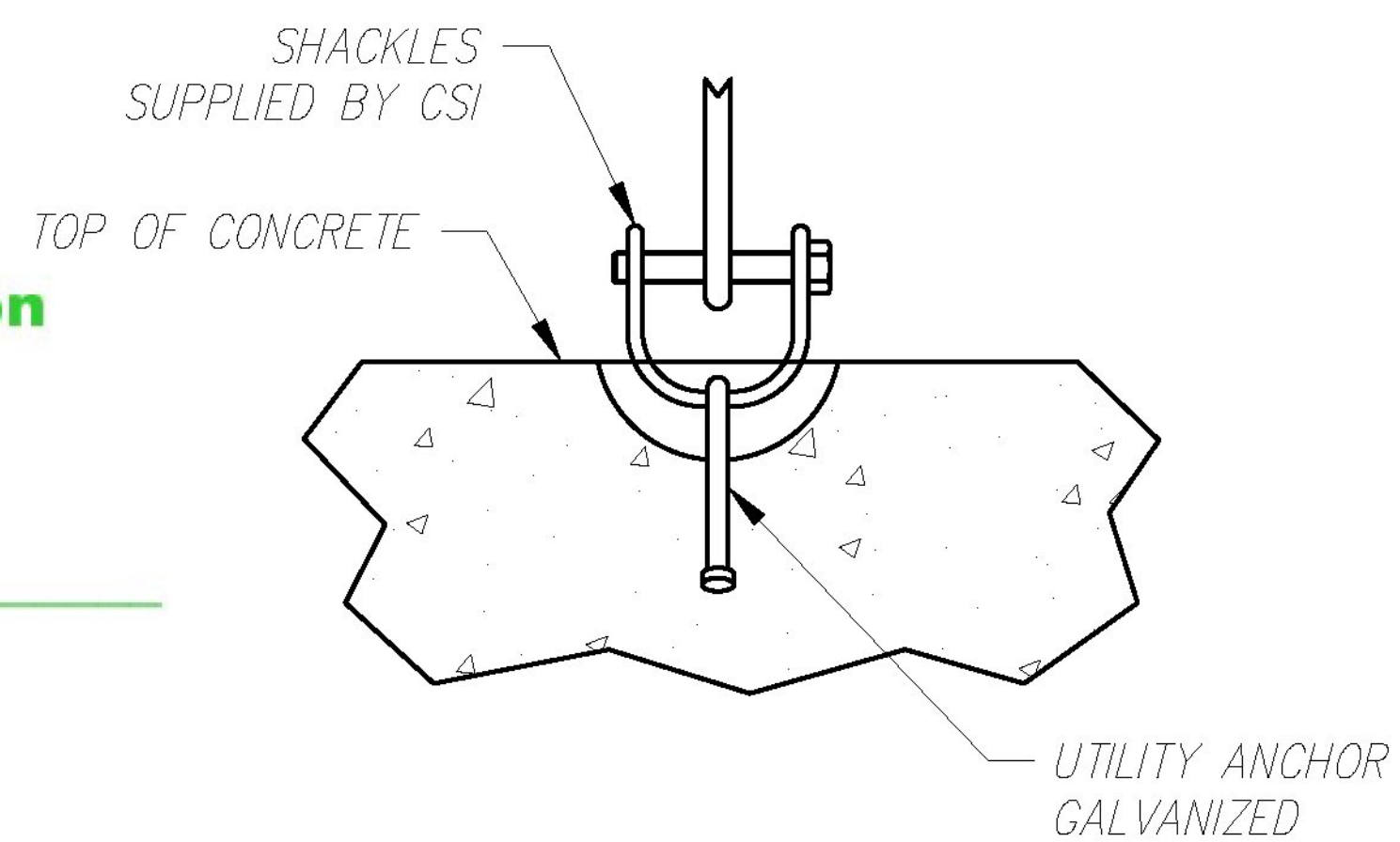
**CULVERT CONNECTION HARDWARE DETAIL**

Scale: N.T.S.



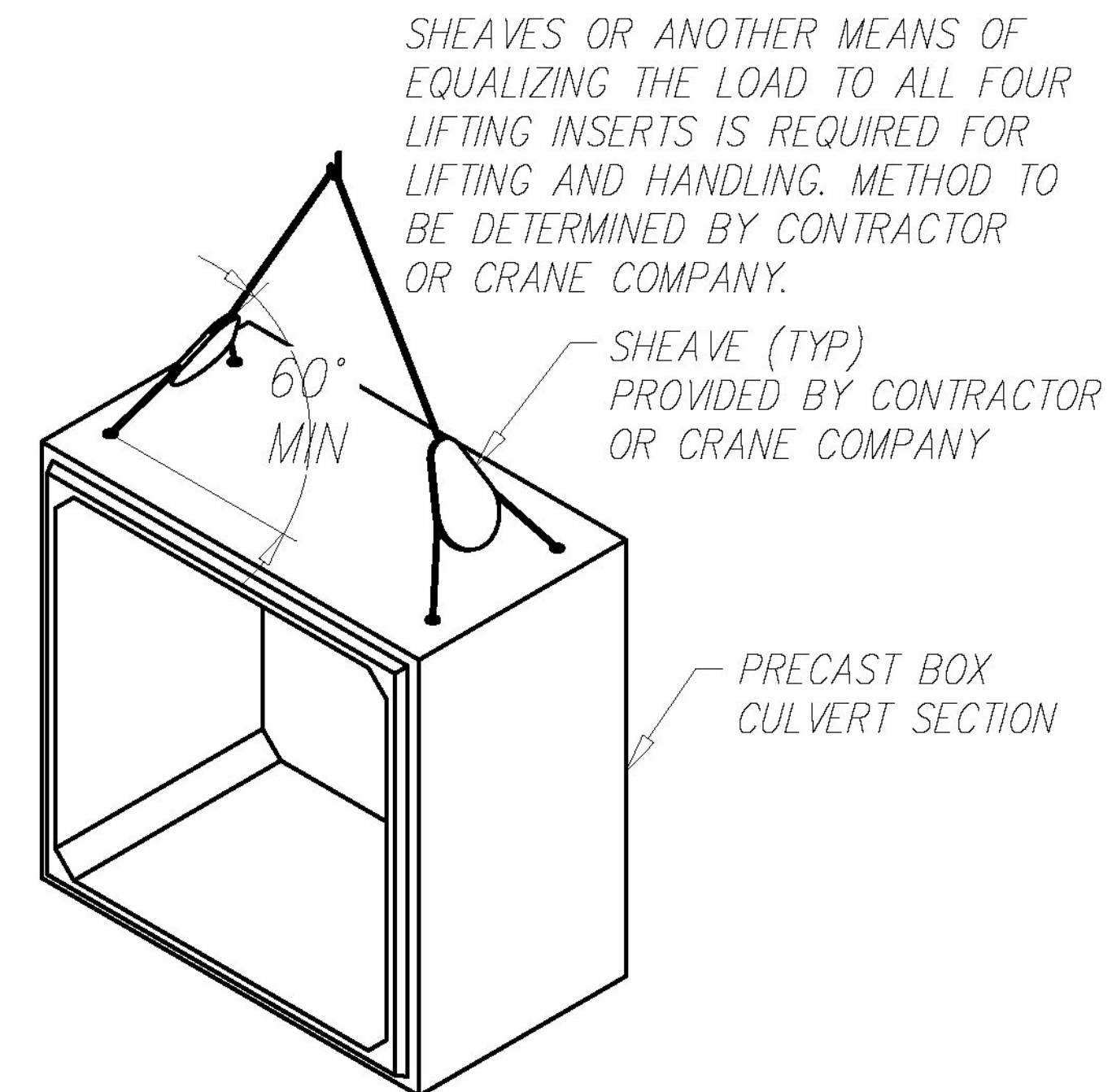
**CULVERT SHIPPING & OFFLOADING DETAIL**

Scale: N.T.S.



**CULVERT & FOOTING LIFTING HARDWARE DETAIL**

Scale: N.T.S.



**SHEAVE DETAIL**

SCALE: N.T.S.

Vermont Agency of Transportation  
**RECEIVED**

CK'D BY CLB OK'D BY CWC

February 16, 2018

RESUBMIT NO Approved  
BY C. CARLSON DATE 02/16/18

Rev.	Date	DESCRIPTION	By
5			
4	12/13/17	REV CONNECTION HARDWARE DETAIL	BSS
3	12/01/17	NO CHANGES TO THIS SHEET	BSS
2	11/02/17	REV DUNNAGE LOCATION	BSS
1	08/17/17	REV PER CUSTOMER REVIEW	BSS
REVISIONS			

CONCRETE SYSTEMS INC.  
9 Commercial Street  
Hudson, New Hampshire 03051  
(800) 342-3374 (603) 889-4163  
FAX (603) 889-0039 [www.csigroup.com](http://www.csigroup.com)

Drawn By  
B. SKELTON  
Date  
07/10/2017  
Reviewed By  
B.K./M.S.  
Date  
07/17/2017  
Approved By  
B. SKELTON  
Date  
01/03/2018

**B** CULVERT LIFTING & JOINT DETAILS  
Drawing No. C23199-DET1  
Proj. No: STP HES 030-2(28) SHEET 6  
REV 4