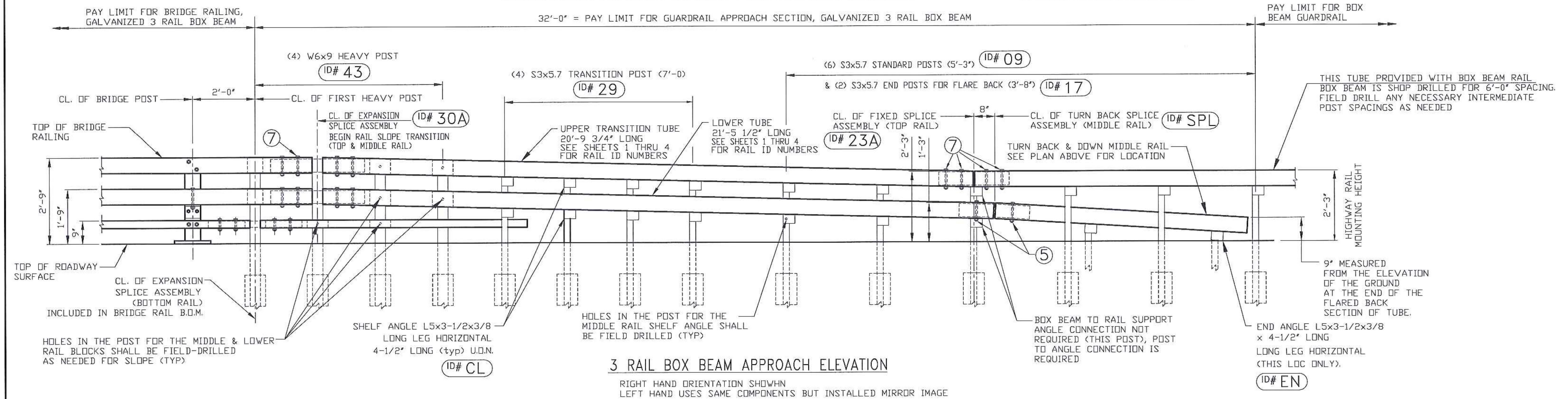
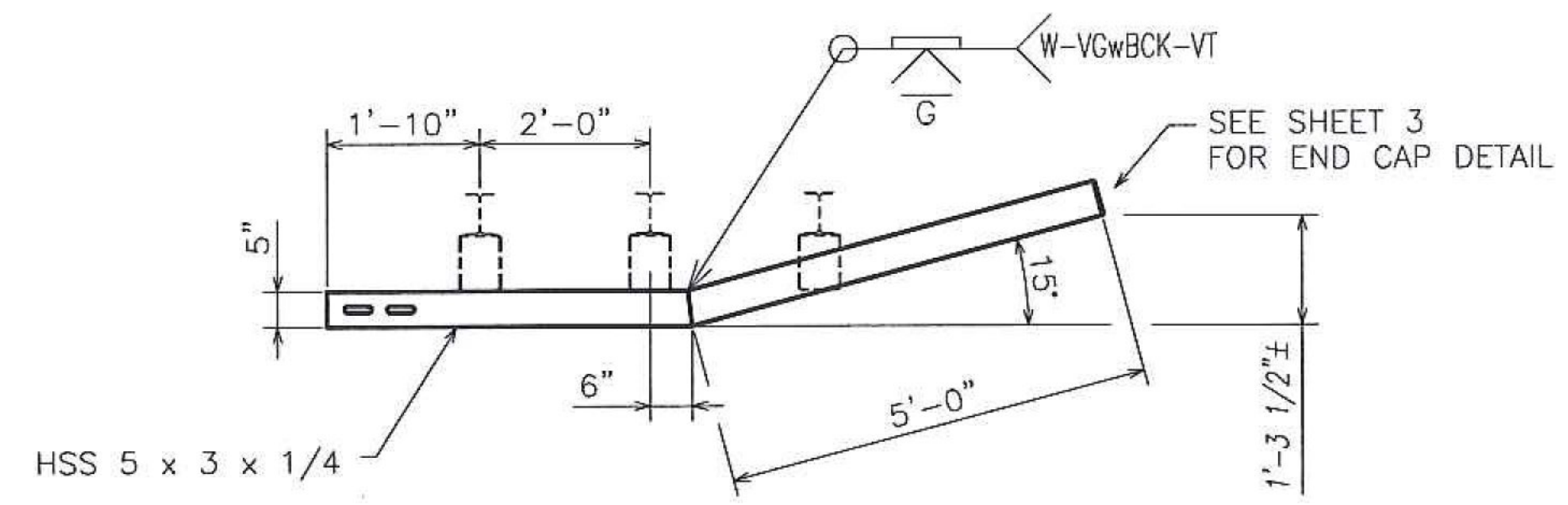


**3 RAIL BOX BEAM APPROACH PLAN VIEW**  
 DEPICTED STRAIGHT FOR CLARITY SEE SHEETS 1 THRU 4 FOR CURVE REQUIREMENTS



**3 RAIL BOX BEAM APPROACH ELEVATION**

RIGHT HAND ORIENTATION SHOWN  
 LEFT HAND USES SAME COMPONENTS BUT INSTALLED MIRROR IMAGE



**LOWER RAIL FLAREBACK END TUBE DETAIL**  
 4 LOCATIONS (typ) AT APPROACH TERMINATION OF LOWER 5x3 RAIL  
 RIGHT HAND ORIENTATION SHOWN  
 LEFT HAND IS SAME PIECE INSTALLED MIRROR IMAGE  
 TUBE AS SHOWN WILL ACCOMMODATE 600' - 700' RADIUS WITHOUT SHOP BENDING

**Vermont Agency of Transportation**  
**RECEIVED**  
 CK'D BY CLB OK'D BY CWC  
**April 13, 2018**  
 RESUBMIT NO Approved **AsNoted**  
 BY C. CARLSON DATE 04/27/18

<b>HIGHWAY SAFETY CORP</b>	
GLASTONBURY, CT 860-633-9445	
ITEM 525.335 BRIDGE RAIL, GALVANIZED, 3 RAIL BOX BEAM ITEM 621.725 GUARDRAIL APPROACH, GALVANIZED, 3 RAIL BOX BEAM VT RT 15A BRIDGE No. 1 TOWN OF MORRISTOWN - LAMOILLE COUNTY, VT BRS 0240(3) S	
GENERAL CONTRACTOR	<b>CERTIFIED FABRICATOR</b>
SUB CONTRACTOR	HSC JOB NO. <b>2236</b>
DATE	SHEET NO. <b>7 of 8</b>
DRAWN PAR	CHECKED
DATE 04-09-18	SCALE NONE SIZE D