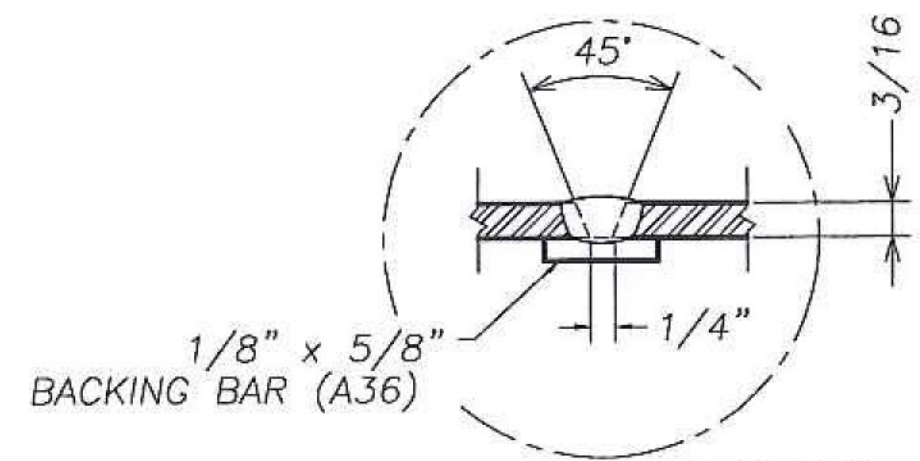
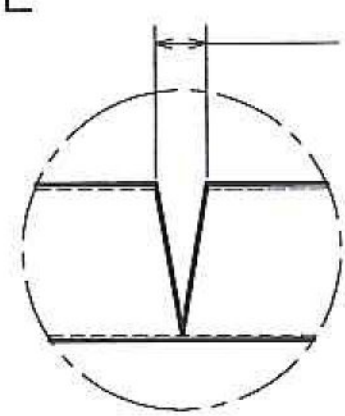


Vermont Agency of Transportation  
**RECEIVED**

CK'D BY CLB OK'D BY CWC  
 April 13, 2018  
 RESUBMIT NO Approved AsNoted  
 BY C. CARLSON DATE 04/27/18

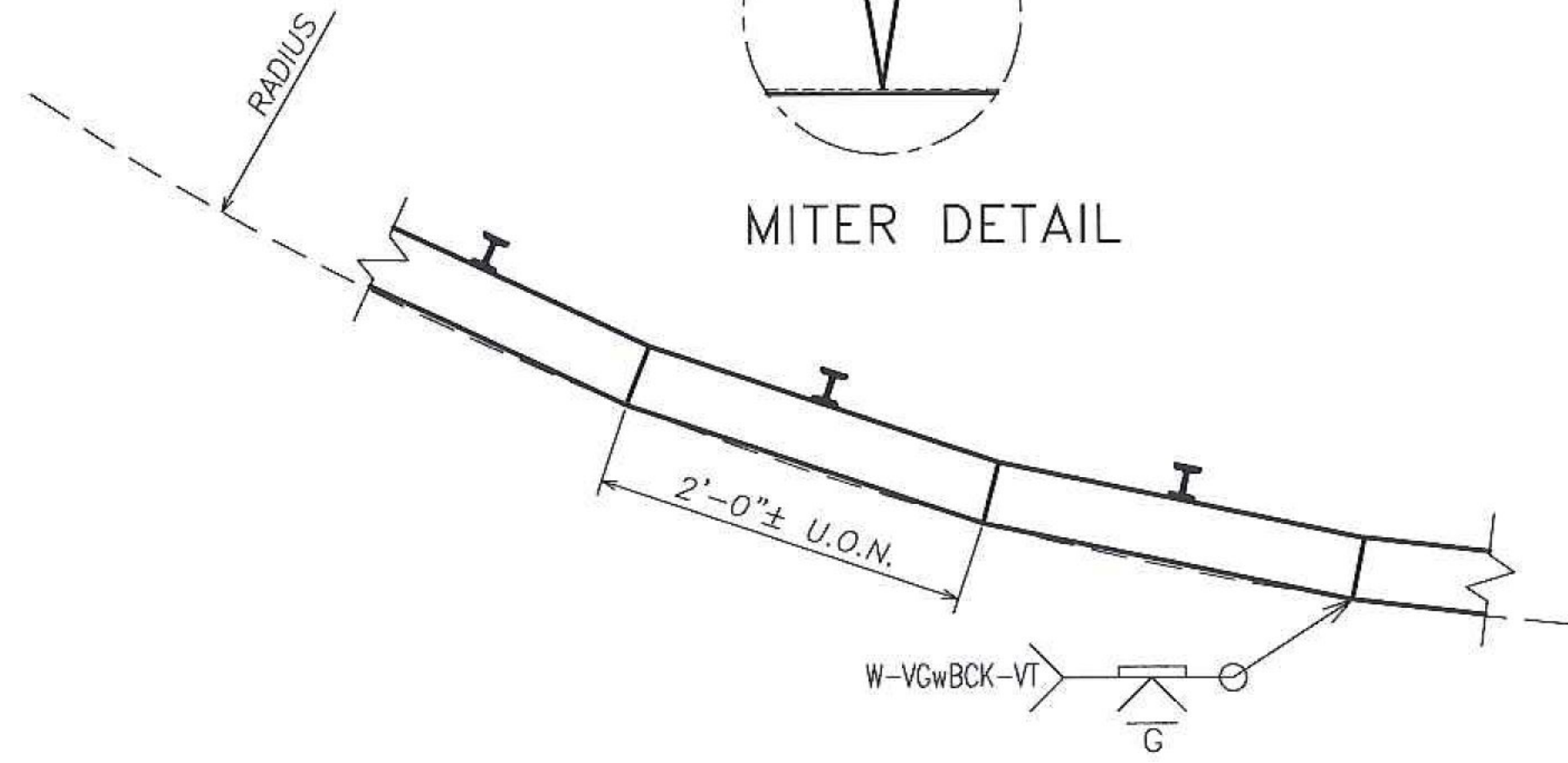


JOINT PREP DETAIL  
 NOT TO SCALE

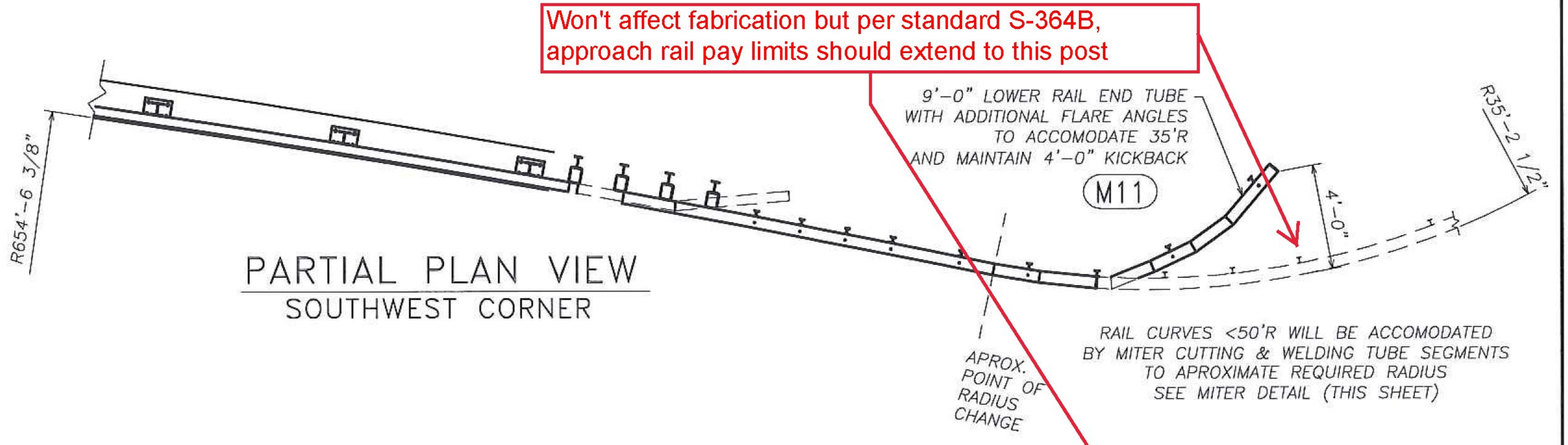


MITER DETAIL

- 1.) CUT THRU THREE TUBE FACES
- 2.) REMOVE SCRAP PIECE
- 3.) CHECK RADIUS DIMENSIONS & ADJUST BEVELS AS NEEDED

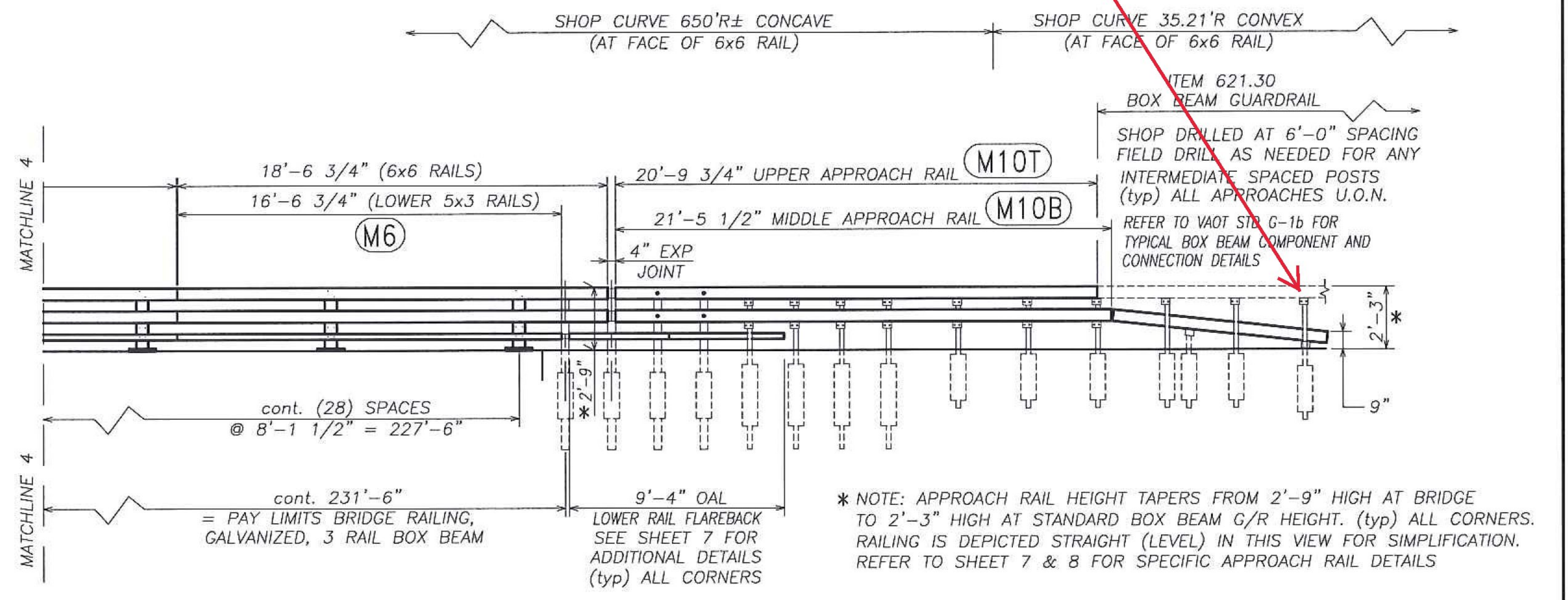


(typ) MITER CUT & WELD DETAIL  
 TO APPROXIMATE TIGHT RADIUS CURVES

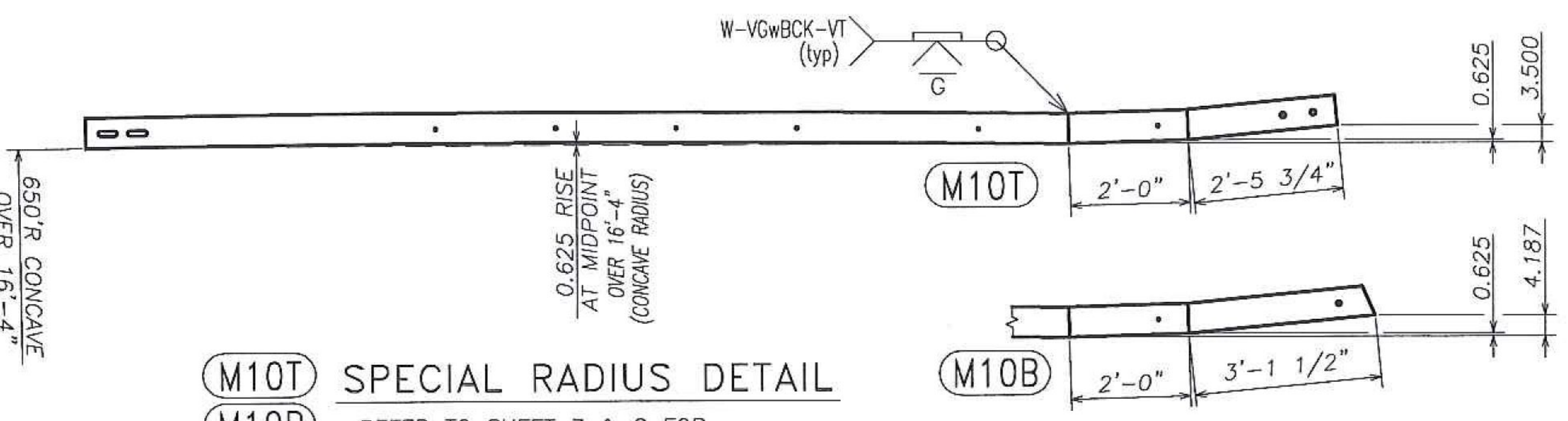


PARTIAL PLAN VIEW  
 SOUTHWEST CORNER

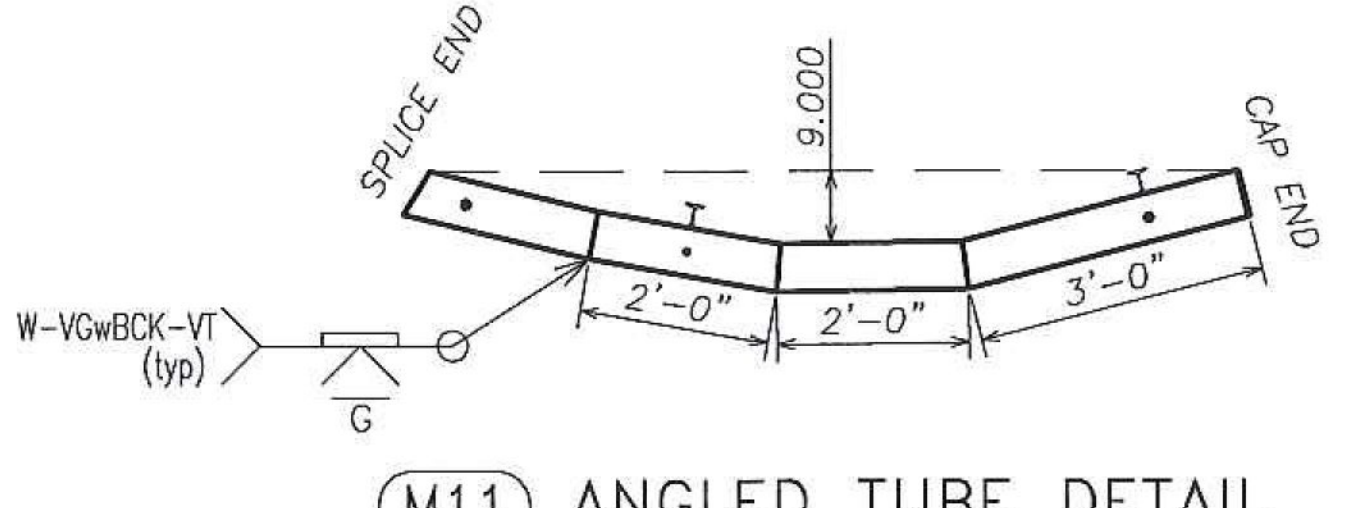
Won't affect fabrication but per standard S-364B, approach rail pay limits should extend to this post



\* NOTE: APPROACH RAIL HEIGHT TAPERS FROM 2'-9" HIGH AT BRIDGE TO 2'-3" HIGH AT STANDARD BOX BEAM G/R HEIGHT. (typ) ALL CORNERS. RAILING IS DEPICTED STRAIGHT (LEVEL) IN THIS VIEW FOR SIMPLIFICATION. REFER TO SHEET 7 & 8 FOR SPECIFIC APPROACH RAIL DETAILS



M10T SPECIAL RADIUS DETAIL  
 M10B REFER TO SHEET 7 & 8 FOR ADDITIONAL DETAILS NOT SHOWN HERE



M11 ANGLED TUBE DETAIL  
 REFER TO 'TURNBACK TUBE' ASSEMBLY ON SHEET 8 FOR ADDITIONAL DETAILS NOT SHOWN HERE

<b>HIGHWAY SAFETY CORP</b> GLASTONBURY, CT 860-633-9445		<b>CERTIFIED FABRICATOR</b>
ITEM 525.335 BRIDGE RAIL, GALVANIZED, 3 RAIL BOX BEAM ITEM 621.725 GUARDRAIL APPROACH, GALVANIZED, 3 RAIL BOX BEAM VT RT 15A BRIDGE No. 1 TOWN OF MORRISTOWN - LAMOILLE COUNTY, VT BRS 0240(3) S		
GENERAL CONTRACTOR SUB CONTRACTOR LAFAYETTE		HSC JOB NO. <b>2236</b> SHEET NO. <b>4 of 8</b>
DRAWN PAR CHECKED DATE 04-09-18 SCALE NONE SIZE D		