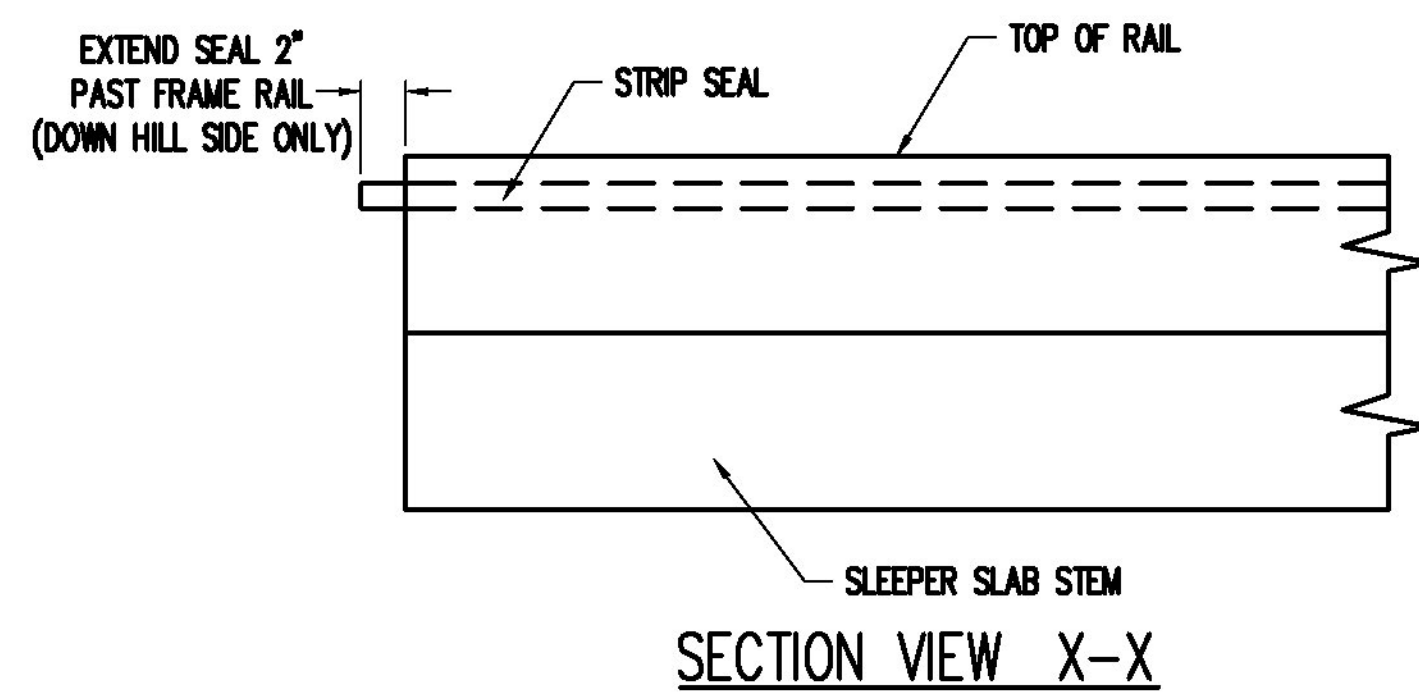


**PLAN VIEW**  
 VT-15A OVER LAMOILLE RIVER  
 BRIDGE NO. 1  
 LOCATED AT:  
 APPROACH SLAB NO. 2 (SLEEPER SLAB)  
 - LOOKING AHEAD STATION -  
 'SSPA'-400 EXP. JOINT (M.R.=4")  
 PART OF ITEM NO. 900.640  
 (1) JOINT TOTAL



MR	QTY	DESCRIPTION	MATERIAL	LENGTH	REMARKS	WT*	REV
2A1	1	SSPA EXPANSION JOINT ASSEMBLY	*53146-1011-A	BILL 30.25'		1337	
dl	2	SSPA FRAME RAIL	WZ70 GR 36 GR 50 (A708)	30'-3"	M111-HDG (A123)	581	
M1	180	95/8 X 10 WELD STUD	M168 (A108)		M111-HDG (A123)	< 1	
h20	5	2" DRAW-UP ANGLE	-		SHIPPING HARDWARE; PLAN	4	
2YA1	1	LUBRICANT ADHESIVE	53146-1011-A			11	
h19	1	LUBRICANT ADHESIVE (1 GAL. UNIT)	D4070		TOTAL FOR PROJECT;	11	
2Y61	1	STRIP SEAL GLAND	53146-1011-A			50	
gl	1	L2-400 GLAND	NEOPRENE	31'-0"		50	
*Approx. Gross Wt. Lbs Per Single Unit						9/18/2017 2:16:00 PM	

Vermont Agency of Transportation

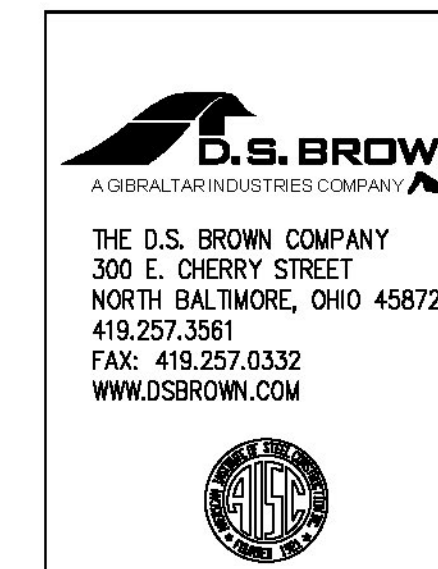
**RECEIVED**

9-19-17\_Strip\_Seal\_Assembly\_Shop\_Drawings\_\_Approved as Noted.pdf

CK'D BY RSF OK'D BY CLB

September 19, 2017

RESUBMIT NO Approved AsNoted  
 BY C. CARLSON DATE 10/10/17



THE D.S. BROWN COMPANY  
 300 E. CHERRY STREET  
 NORTH BALTIMORE, OHIO 45872  
 419.257.3561  
 FAX: 419.257.0332  
 WWW.DSBROWN.COM

REV.	DESCRIPTION	DATE	DET.	CKD.
	LOCATION - VT-15A OVER LAMOILLE RIVER			
	BRIDGE - 1			
	PROJECT NO. - BR5 0240(3)S/STP HES 030-2(28)			
	PROJECT NAME - MORRISTOWN			
	P.O. NO. - K1617			
	DESIGNER - T.Y.LIN INTERNATIONAL			
	CUSTOMER - WINTERSET, INC.			
	DESCRIPTION: SSPA PLAN VIEW	SCALE: N.T.S.	DRAWN BY: T.BOWERS	CHECKED BY: T.ELLER
	LAMOILLE COUNTY, VERMONT	PROJECT NUMBER: 53146	PRODUCT CODE: 1011	DATE: 8-2017
			RELEASE	SHEET: 2 OF 2
				2