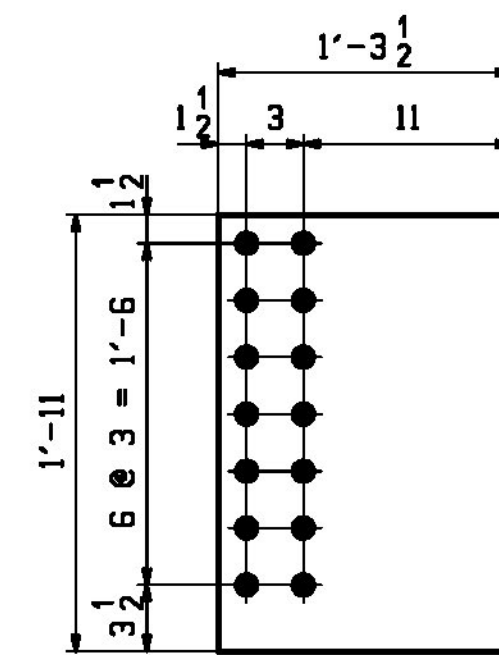
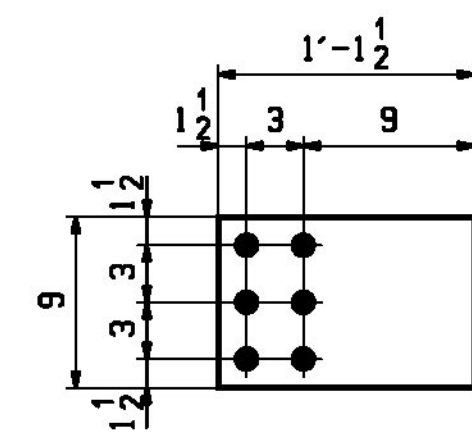


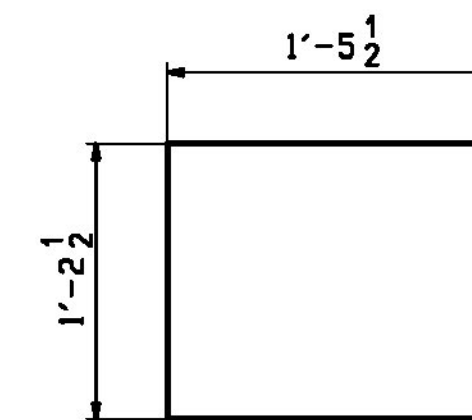
**56 ~ INT. CROSSFRAMES - 16CF1**  
(LOOKING BACK-STATION)



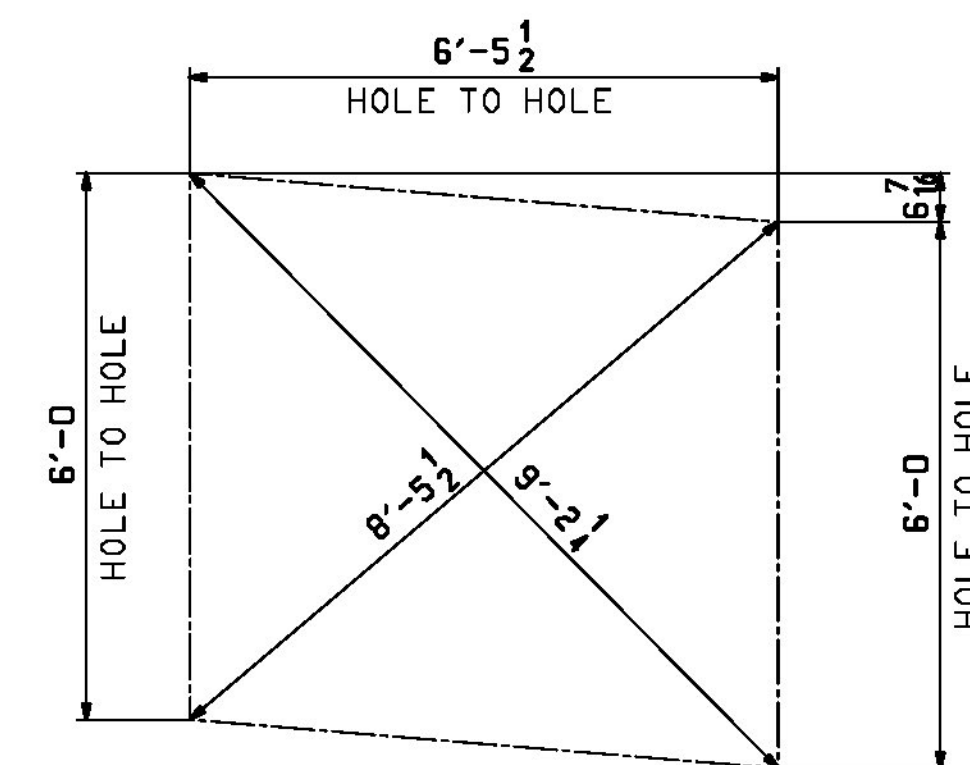
**DETAIL - pa16**  
112 REQ'D



**DETAIL - pb16**  
112 REQ'D



**DETAIL - pc16**  
56 REQ'D



**CROSS CHECK DIMENSIONS - 16CF1**

RBM INFO		BILL OF MATERIAL				JOB NO.	DRAWING NO.	REV.	
PAGE	LINE	MARK	QTY	MARK	MATERIAL	LENGTH FT INCHES	REMARKS	WT	PROCUREMENT NOTES
		16CF1	56		CROSSFRAMES			620	
5	B	112	a16		L 5x5x 5/8	5 5 1/2		109	
5	C	56	b16		L 5x5x 5/8	4 10 1/4		97	
5	C	56	c16		L 5x5x 5/8	4 6 1/2		91	
5	D	112	pa16		PL 3/8x15 1/2	1 11		63	
5	E	112	pb16		PL 3/8x9	1 1 1/2		22	
5	F	56	pc16		PL 3/8x14 1/2	1 5 1/2		45	

Vermont Agency of Transportation  
**RECEIVED**

10-6-17\_713\_Shop\_Drawings\_REV2.dwg

CK'D BY CLB OK'D BY CWC

October 5, 2017

RESUBMIT NO Approved  
BY C. CARLSON DATE 10/05/17

NOTE:  
FOR GENERAL NOTES SEE DRAWING GNI.

APPROVAL	8/19/17	APPROVAL COMMENT	JTB	WJL		
REV.	DATE	REMARKS	DWN	CHK	APVL	SHOP
MATERIAL:	M270-50W	SURFACE PREP. & PAINT: SEE DWG GNI	HOLES:	17/16" Ø	SHOP BOLTS:	NONE
DESCRIPTION: INT. CROSSFRAMES						
		<b>CASCO BAY STEEL STRUCTURES, INC.</b> 1 WALLACE AVE. SOUTH PORTLAND, ME 04106 PHONE (207) 780-6722 FAX. (207) 780-6726				
STRUCTURE: VT RTE 15A OVER LAMOILLE RIVER ROUTE No. VT 15A, MAJOR COLLECTOR BRIDGE No. 1 COUNTY OF LAMOILLE			DRAWN: JTB DATE: 08/02		DATE: 08/30	
LOCATION: MORRISTOWN, VT			JOB NO. 713		DWG NO. 16	
PROJ NO. BRS-0240(3)S & STP HES 030-2(28)			REV. 16		CUSTOMER: STATE OF VERMONT R.O.T.	