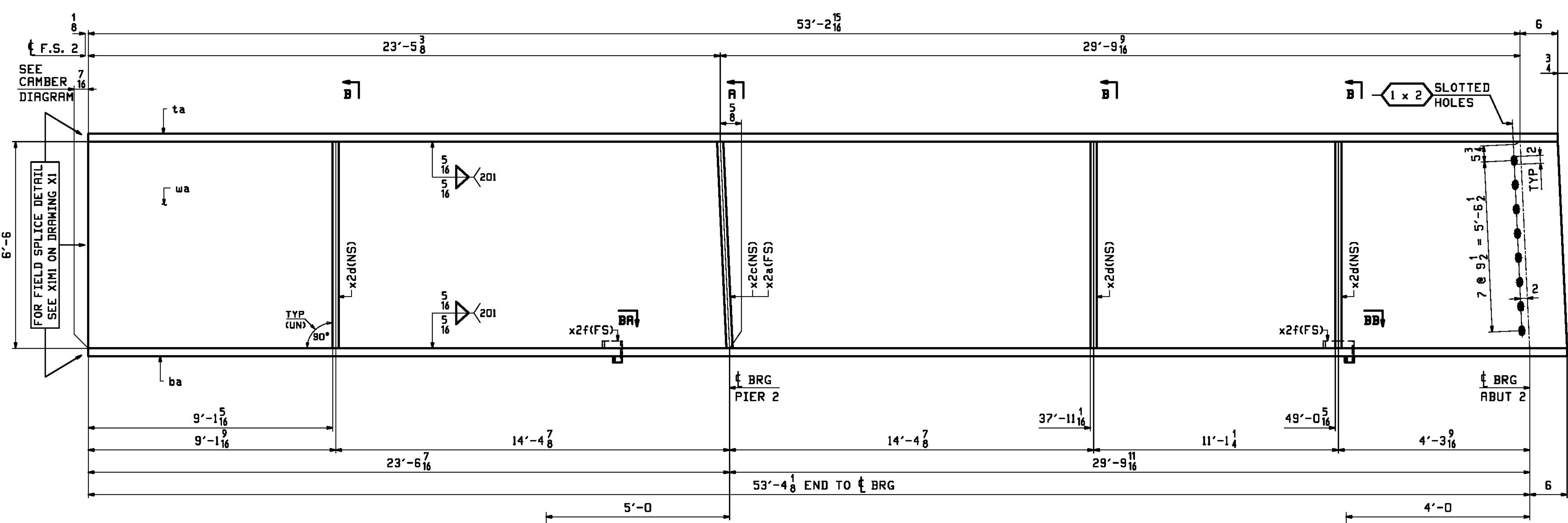
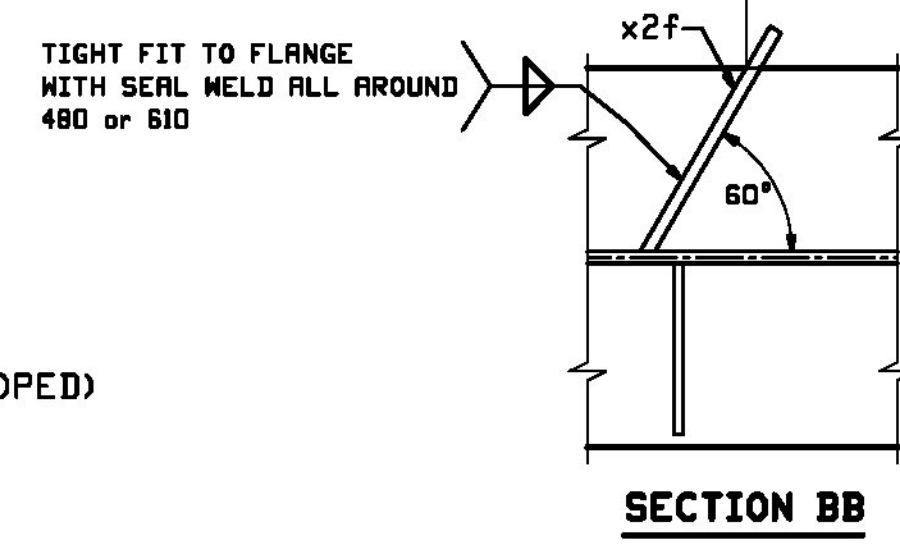
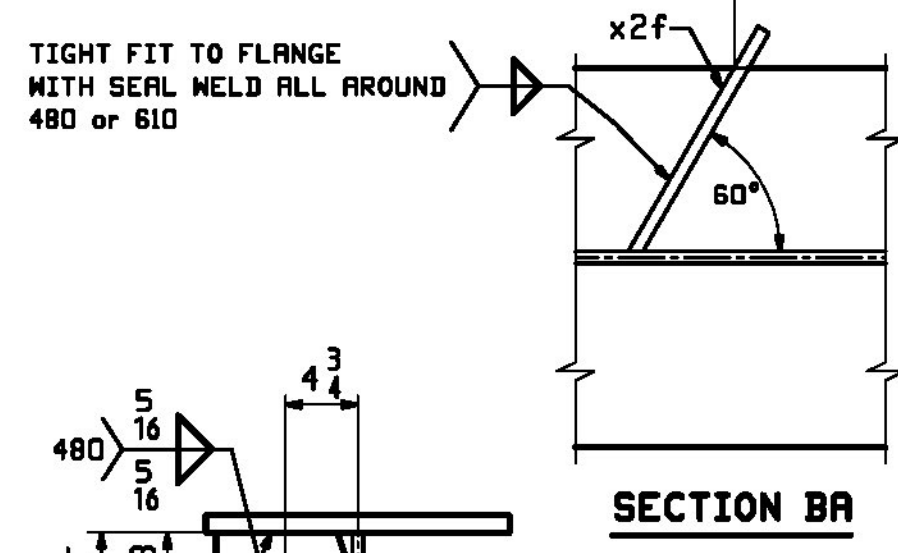


RBM INFO		SHIP		BILL OF MATERIAL		JOB NO.	DRAWING NO.	REV.
						713	11	
PAGE LINE	MARK	QTY	MARK	MATERIAL	LENGTH FT INCHES	REMARKS	WT	PROCUREMENT NOTES
	11GIC	1		GIRDER			18797	
2	Y	1	wa	PL 1/8x78	53 10 1/8	M270-SDW12	9825	
2	C	1	ta	PL 1/8x20	53 8 1/8	M270-SDW12	4115	
2	A	1	ba	PL 1/8x20	53 10 1/8	M270-SDW12	4122	
4	L	1	x2a	PL 1x9 1/2	6 6	(M/E) M270-SDW	210	
4	L	1	x2c	PL 1x9 1/2	6 6	(M/E) M270-SDW	210	
4	M	3	x2d	PL 2x9	6 6	M270-SDW	100	
4	N	2	x2f	PL 1/4x3 3/8	1 1 1/4	M270-SDW	3	

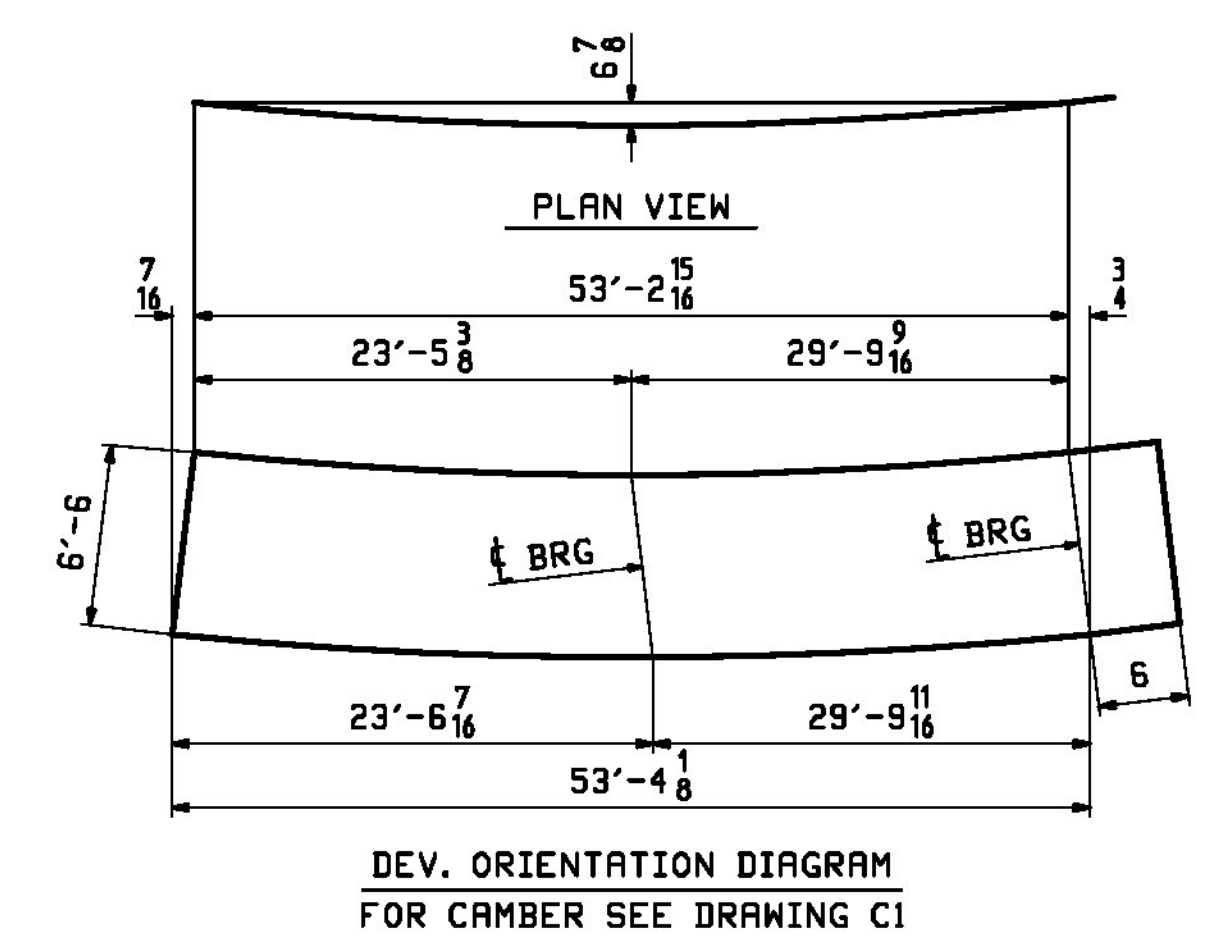
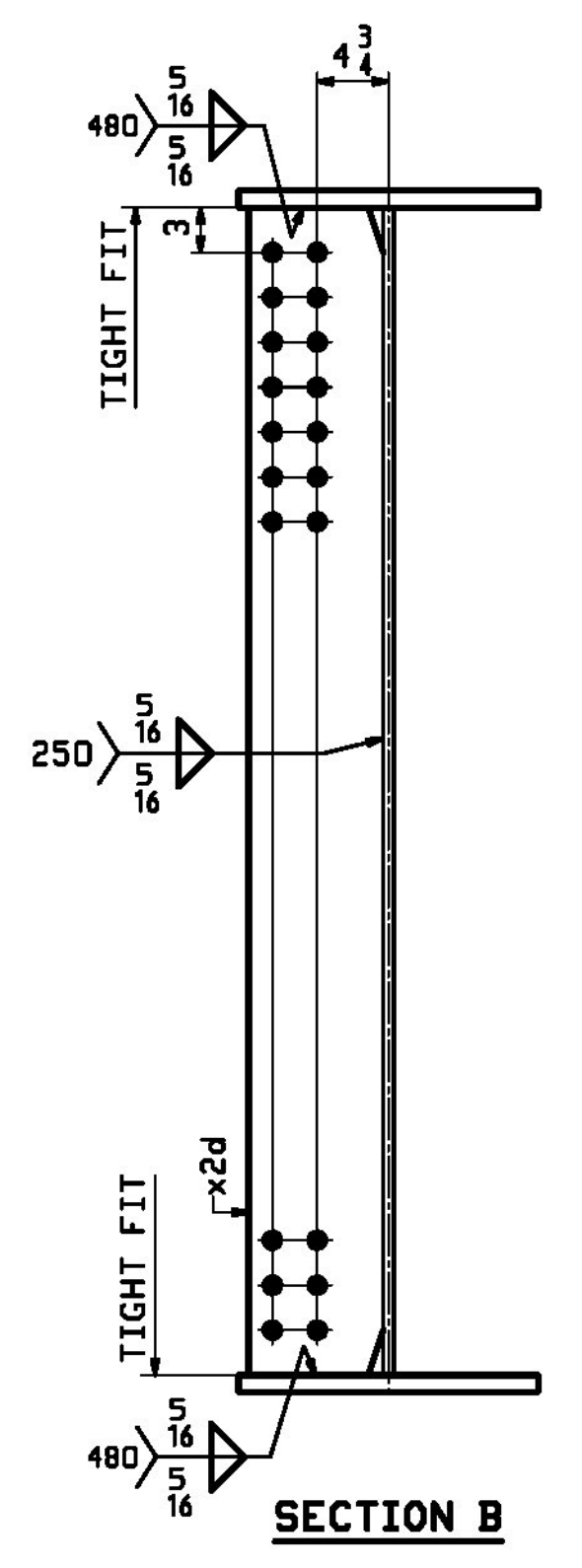
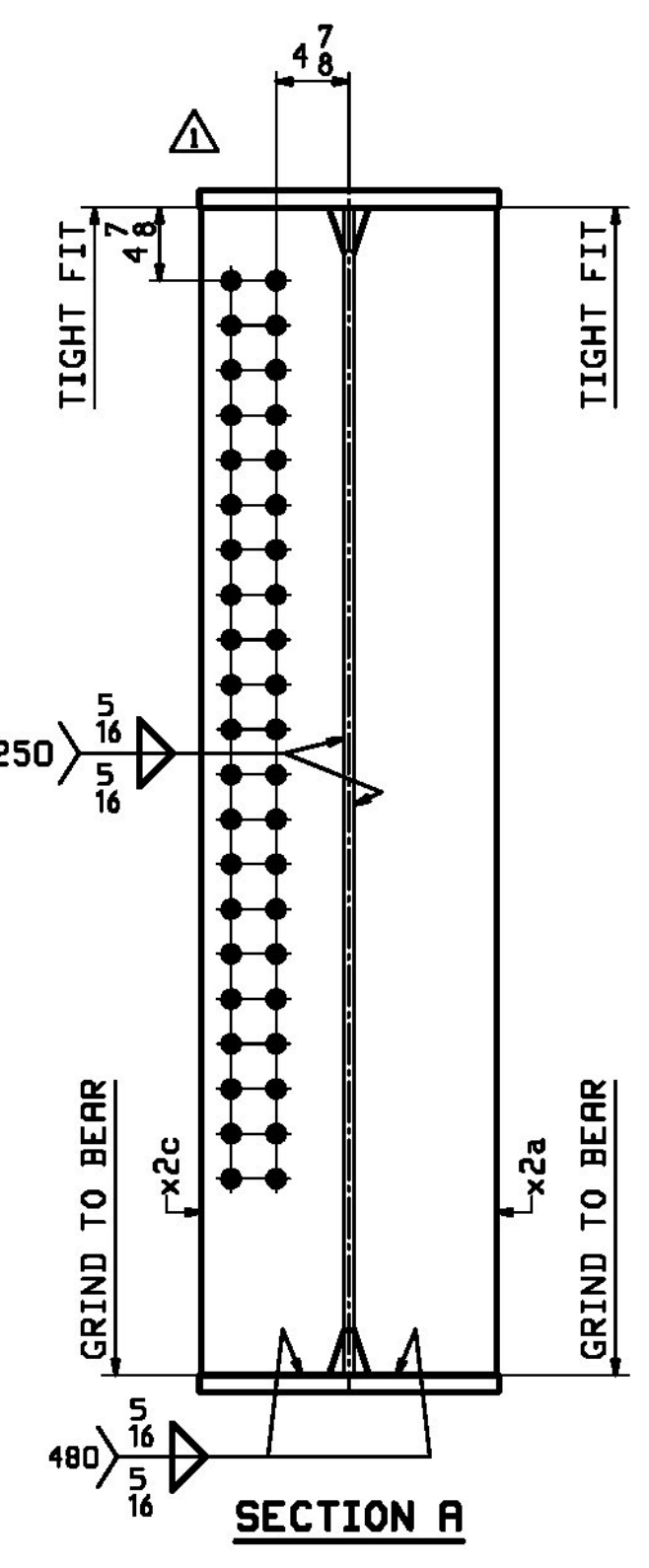


SEE CAMBER DIAGRAM



ONE - GIRDER - 11GIC (DEVELOPED)

FOR FIELD SPLICE DETAILS SEE DRAWING X1.
 FOR GIRDER STANDARDS SEE DRAWING X2.
 FOR CAMBER DIAGRAM SEE DRAWING C1.
 FOR FLANGE DIAGRAMS SEE DRAWING F1.
 FOR GENERAL NOTES SEE DRAWING GNI.
 T2 DENOTES MATERIAL SUBJECT TO CHARPY V-NOTCH TESTING.
 FOR HORIZONTAL CURVING DIAGRAMS SEE DRAWINGS HCI.



Vermont Agency of Transportation

RECEIVED

CK'D BY CLB OK'D BY CWC

October 5, 2017

RESUBMIT NO Approved
 BY C. CARLSON DATE 10/05/17

9/19/17	APPROVAL COMMENT	JTB	WJL		
REV. DATE	REMARKS	DWN	CHK	APVL	SHOP
MATERIAL:	SURFACE PREP. & PRINT:	HOLES:		SHOP BOLTS:	
M270-SDW (UN)	SEE DWG GNI	1/2" Ø (UN)		NONE	
DESCRIPTION: GIRDER - 11GIC					
		CASCO BAY STEEL STRUCTURES, INC. 1 WALLACE AVE. PHONE (207) 780-6722 SOUTH PORTLAND, ME 04106 FAX. (207) 780-6726			
STRUCTURE: VT RTE 15A OVER LAMOILLE RIVER		DRAWN: JTB		DATE: 08/02	
ROUTE No. VT 15A, MAJOR COLLECTOR		CHKD: WJL		DATE: 08/30	
BRIDGE No. 1		JOB NO. 713		DWG NO. 11	
COUNTY OF LAMOILLE		CUSTOMER: STATE OF VERMONT R.O.T.		REV. 11	
LOCATION: MORRISTOWN, VT					
PROJ NO. BR5-0240(3)S & STP HES 030-2(28)					

173 104_17_13_1017_10-05-17.dwg