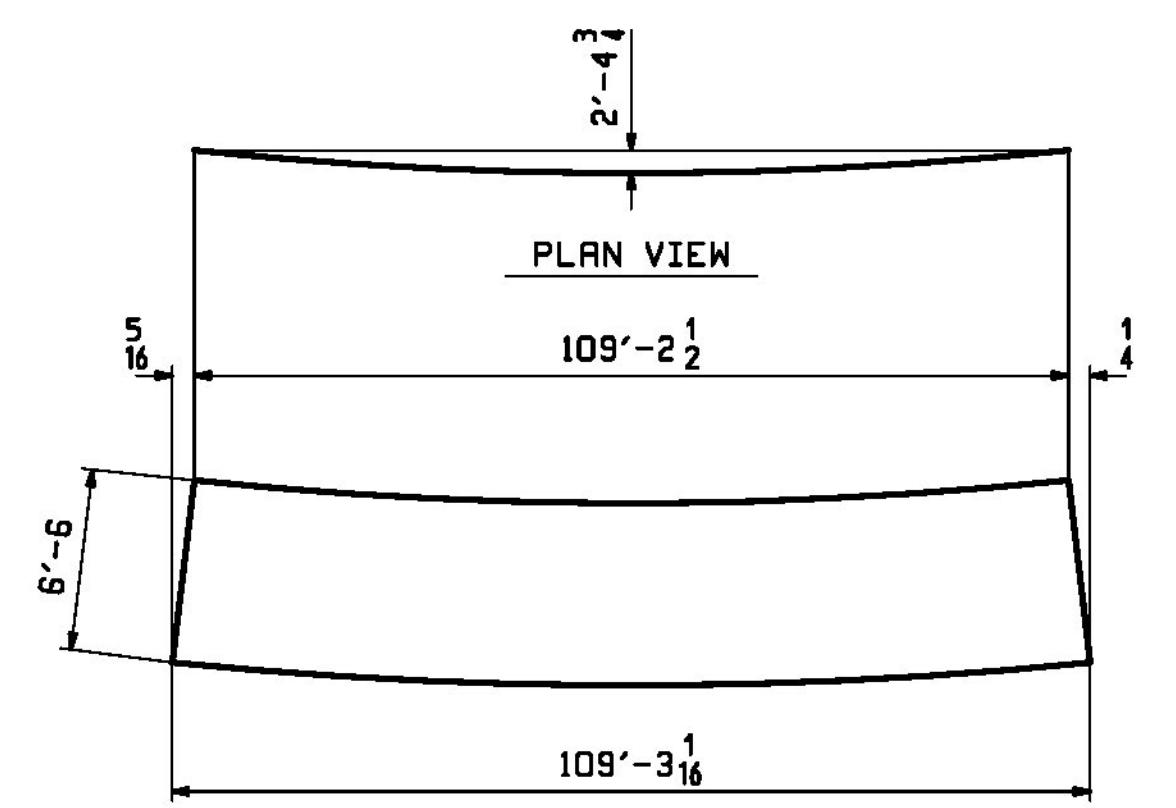


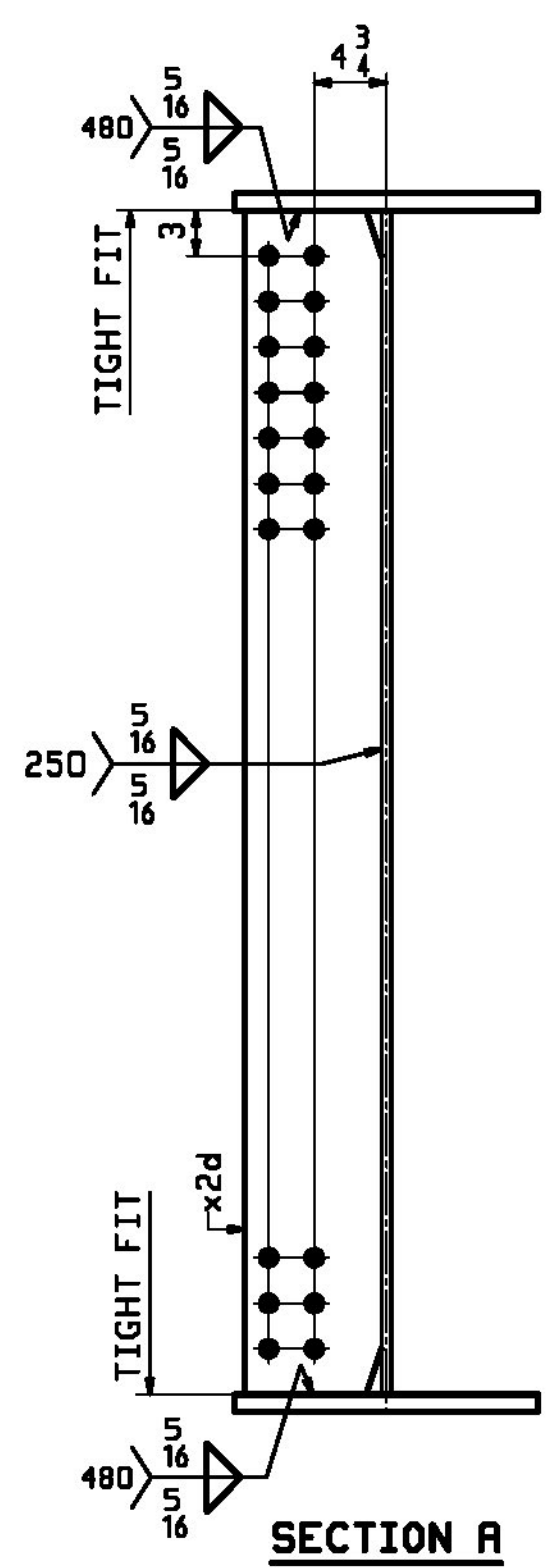
RBM INFO		BILL OF MATERIAL				JOB NO.	DRAWING NO.	REV.
PAGE LINE	MARK	QTY	MARK	MATERIAL	LENGTH FT INCHES	REMARKS	WT	PROCUREMENT NOTES
	6G1B	1		GIRDER			33742	
3	A	1	wa	PL 1/2 x 78	59'-2 7/8	M270-SDW12	10810	
3	L	1	wb	PL 1/2 x 78	50'-0 3/16	M270-SDW12	9127	
2	L	1	ta	PL 7/8 x 20	49'-11 5/8	M270-SDW12	2976	
2	E	1	tb	PL 7/8 x 20	59'-2 7/8	M270-SDW12	3528	
2	L	1	ba	PL 7/8 x 20	50'-0 3/16	M270-SDW12	2978	
2	E	1	bb	PL 7/8 x 20	59'-2 7/8	M270-SDW12	3528	
4	M	8	x2d	PL 1/2 x 3	6'-6	M270-SDW	100	

ONE - GIRDER - 6G1B (DEVELOPED)

FOR FIELD SPLICE DETAILS SEE DRAWING X1.
 FOR GIRDER STANDARDS SEE DRAWING X2.
 FOR CAMBER DIAGRAM SEE DRAWING C2.
 FOR FLANGE DIAGRAMS SEE DRAWING F2.
 FOR GENERAL NOTES SEE DRAWING GNI.
 T2 DENOTES MATERIAL SUBJECT TO CHARPY V-NOTCH TESTING.
 FOR HORIZONTAL CURVING DIAGRAMS SEE DRAWINGS HCI.



DEV. ORIENTATION DIAGRAM FOR CAMBER SEE DRAWING C2



Vermont Agency of Transportation
RECEIVED
 10-5-17_713_Shop_Drawing_REV2.dwg
 CK'D BY CLB OK'D BY CWC
 October 5, 2017
 RESUBMIT NO Approved
 BY C. CARLSON DATE 10/05/17

REV.	DATE	REMARKS	DWN	CHK	APVL	SHOP
0						
MATERIAL:		SURFACE PREP. & PAINT:	HOLES:		SHOP BOLTS:	
M270-SDW (UN)		SEE DWG GNI	1 5/16" Ø		NONE	
DESCRIPTION:		GIRDER - 6G1B				
STRUCTURE:		DRAWN:		DATE:		
VT RTE 15A OVER LAMOILLE RIVER		JTJ		08/02		
ROUTE No. VT 15A, MAJOR COLLECTOR		CHKD:		DATE:		
BRIDGE No. 1		WJL		08/30		
COUNTY OF LAMOILLE		JOB NO.		DWG NO.		
LOCATION: MORRISTOWN, VT		713		6		
PROJ NO. BRS-0240(3)S & STP HES Q30-2(28)		CUSTOMER: STATE OF VERMONT R.O.T.		REV. <u>△</u>		

CASCO BAY STEEL STRUCTURES, INC.
 1 WALLACE AVE. PHONE (207) 780-6722
 SOUTH PORTLAND, ME 04106 FAX. (207) 780-6726

173 F:\17_713_1_2017_08282017.dwg 10/5/17 10:51:28 AM