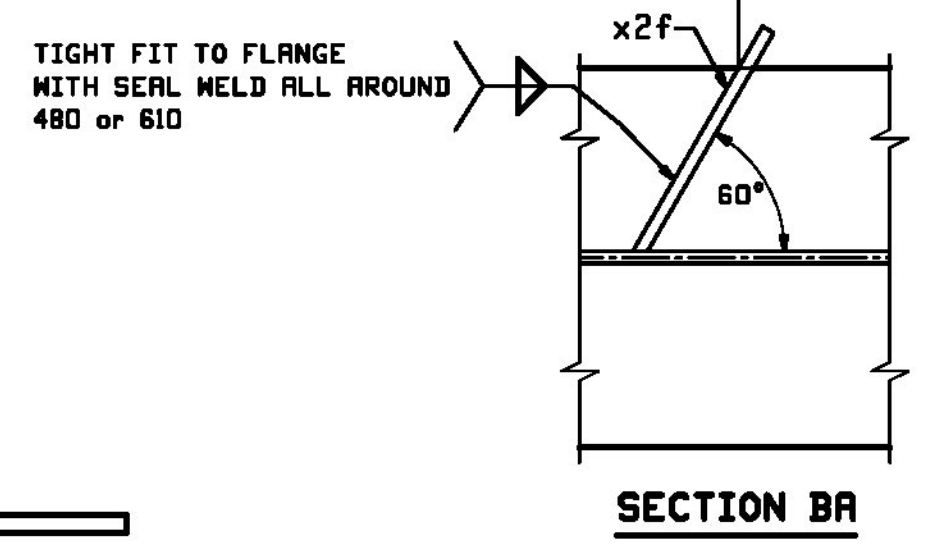
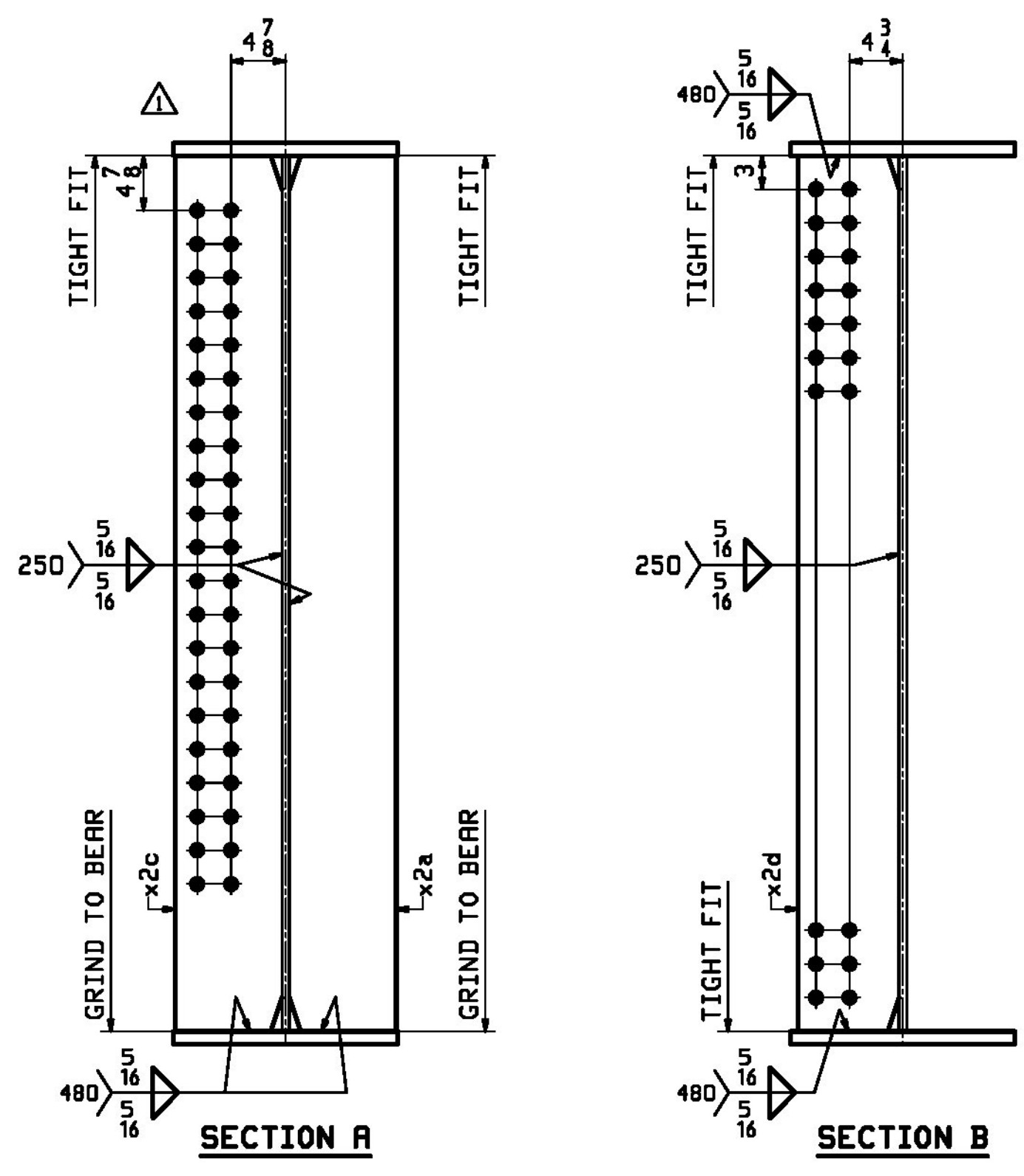
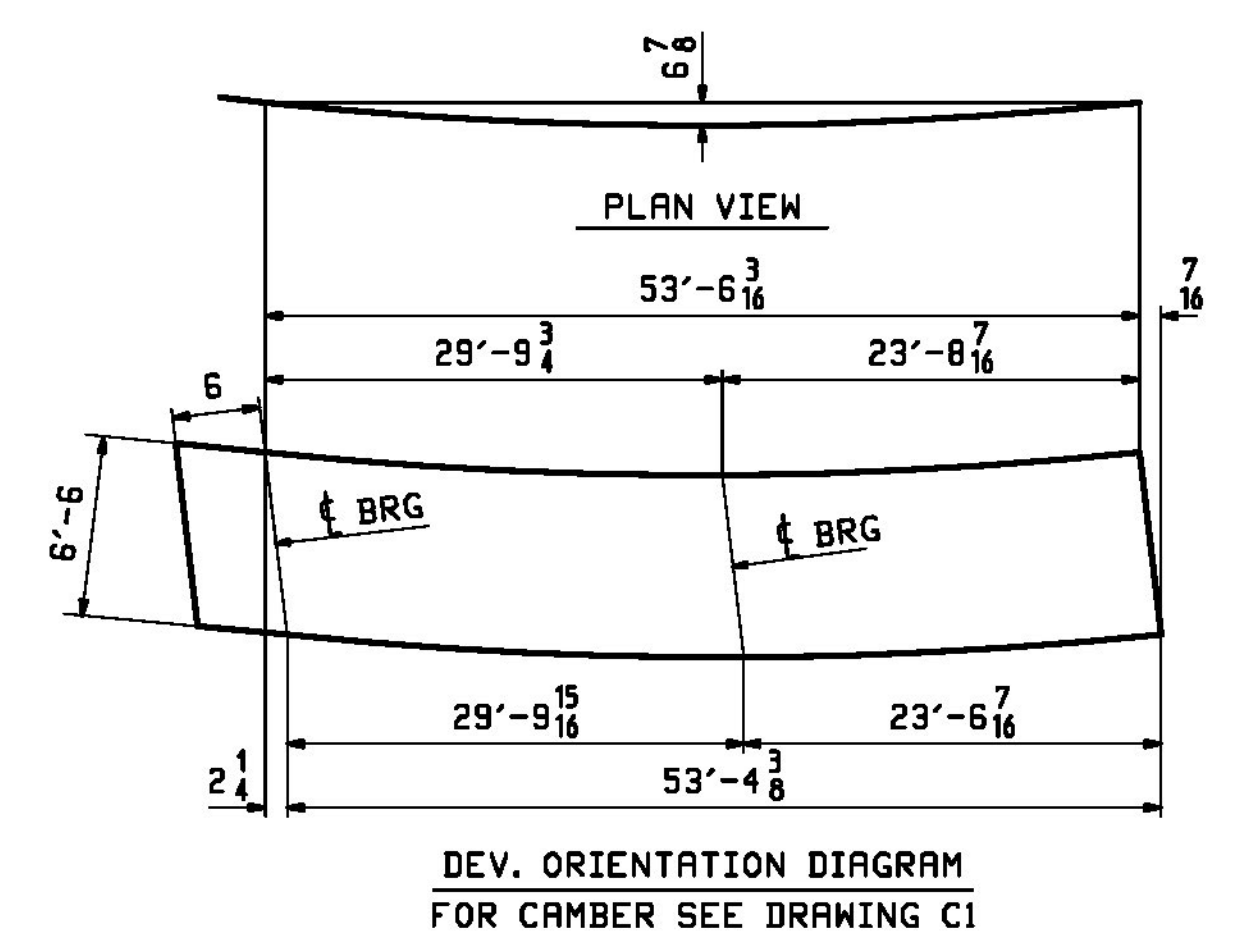


RBM INFO		BILL OF MATERIAL				JOB NO.	DRAWING NO.	REV.
						713	1	
PAGE LINE	MARK	QTY	MARK	MATERIAL	LENGTH FT INCHES	REMARKS	WT	PROCUREMENT NOTES
	1G1A	1		GIRDER			18845	
2	Y	1	wa	PL 1/8 x 7/8	54 0 3/8	M270-SDWT2	9863	
2	A	1	ta	PL 1/8 x 20	54 0 3/8	M270-SDWT2	4136	
2	A	1	ba	PL 1/8 x 20	53 10 3/8	M270-SDWT2	4124	
4	L	1	x2a	PL 1 x 9 1/2	6 6	(M/E) M270-SDW	210	
4	L	1	x2c	PL 1 x 9 1/2	6 6	(M/E) M270-SDW	210	
4	M	3	x2d	PL 2 x 9	6 6	M270-SDW	100	
4	N	1	x2f	PL 1/4 x 3 3/16	1 1 1/4	M270-SDW	3	



ONE - GIRDER - 1G1A (DEVELOPED)

FOR FIELD SPLICE DETAILS SEE DRAWING X1.
 FOR GIRDER STANDARDS SEE DRAWING X2.
 FOR CAMBER DIAGRAM SEE DRAWING C1.
 FOR FLANGE DIAGRAMS SEE DRAWING F1.
 FOR GENERAL NOTES SEE DRAWING GNI.
 T2 DENOTES MATERIAL SUBJECT TO CHARPY V-NOTCH TESTING.
 FOR HORIZONTAL CURVING DIAGRAMS SEE DRAWINGS HCI.



Vermont Agency of Transportation
RECEIVED
 CK'D BY CLB OK'D BY CWC
 October 5, 2017
 RESUBMIT NO Approved
 BY C. CARLSON DATE 10/05/17

9/19/17	APPROVAL COMMENT	JTB	WJL		
REV. DATE	REMARKS	DWN	CHK	APVL	SHOP
MATERIAL:	SURFACE PREP. & PRINT:	HOLES:	SHOP BOLTS:		
M270-SDW (UN)	SEE DWG GNI	1 1/2" Ø (UN)	NONE		
DESCRIPTION: GIRDER - 1G1A					
CASCO BAY STEEL STRUCTURES, INC. 1 WALLACE AVE. PHONE (207) 780-6722 SOUTH PORTLAND, ME 04106 FAX. (207) 780-6726					
STRUCTURE:	VT RTE 15A OVER LAMOILLE RIVER	DRAWN:	JTB	DATE:	08/02
	ROUTE No. VT 15A, MAJOR COLLECTOR	CHKD:	WJL	DATE:	08/30
	BRIDGE No. 1				
	COUNTY OF LAMOILLE				
LOCATION:	MORRISTOWN, VT	JOB NO.	713	DWG NO.	1
PROJ NO.	BRS-0240(3)S & STP HES Q30-2(28)				
CUSTOMER:	STATE OF VERMONT R.O.T.				