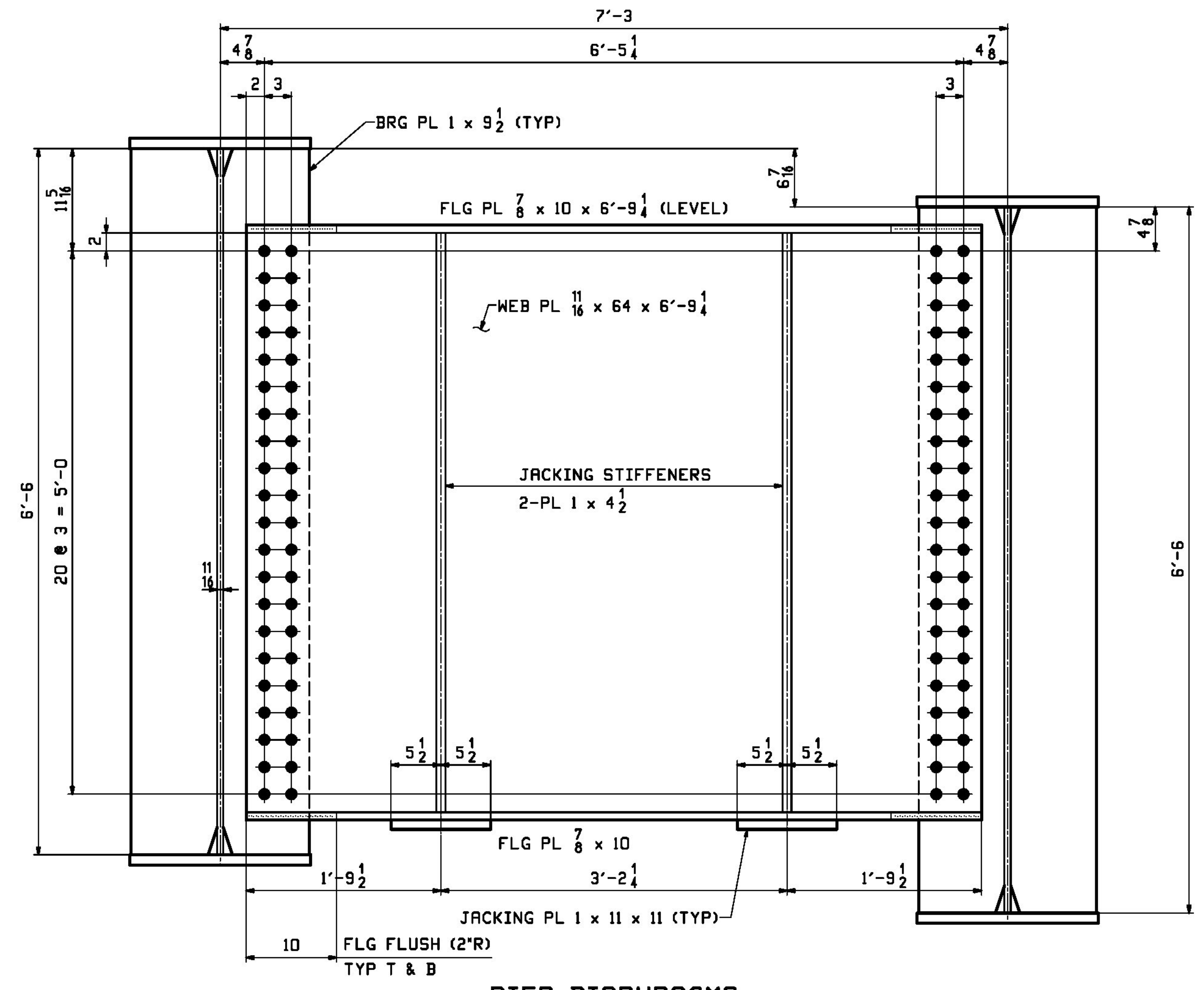


INT. CROSSFRAMES
(LOOKING BACK-STATION)



PIER DIAPHRAGMS
(LOOKING BACK-STATION)

Vermont Agency of Transportation

RECEIVED




10-5-17_713_Shop_Drawing_REV2.pdf

CK'D BY CLB OK'D BY CWC

October 5, 2017

RESUBMIT NO Approved
BY C. CARLSON DATE 10/05/17

**** NOTE ****
THE PURPOSE OF THIS DRAWING IS TO COORDINATE GEOMETRIC CONTROL INFORMATION AND CONNECTION SPACING. THIS DWG IS SUBMITTED FOR INFORMATION ONLY & IS NOT INTENDED FOR SHOP FABRICATION. DETAIL DWGS WILL SHOW ALL WELDING AND DIMENSIONS REQ'D FOR FABRICATION.

REV.	DATE	REMARKS	DWN	CHK	APVL	SHOP
0						
MATERIAL:		SURFACE PREP. & PAINT:	HOLES:		SHOP BOLTS:	
M270-50W		SEE DWG GNI	15/16" Ø		NONE	
DESCRIPTION:		TYPICAL LAYOUTS				
		CASCO BAY STEEL STRUCTURES, INC. 1 WALLACE AVE. PHONE (207) 780-6722 SOUTH PORTLAND, ME 04106 FAX. (207) 780-6726 				
STRUCTURE: VT RTE 15A OVER LAMOILLE RIVER		DRAWN:	DATE:			
ROUTE No. VT 15A, MAJOR COLLECTOR		JTB	07/31			
BRIDGE No. 1		CHKD:	DATE:			
COUNTY OF LAMOILLE		WJL	08/30			
LOCATION: MORRISTOWN, VT		JOB NO.	DWG NO.			
PROJ NO. BRS-0240(3)S & STP HES 030-2(28)		713	TD1			
CUSTOMER: STATE OF VERMONT R.O.T.			REV. 			

173 - P1.dwg, 1:2017, 08/20/17, 1:1000, 10/5/17, 10:00 AM