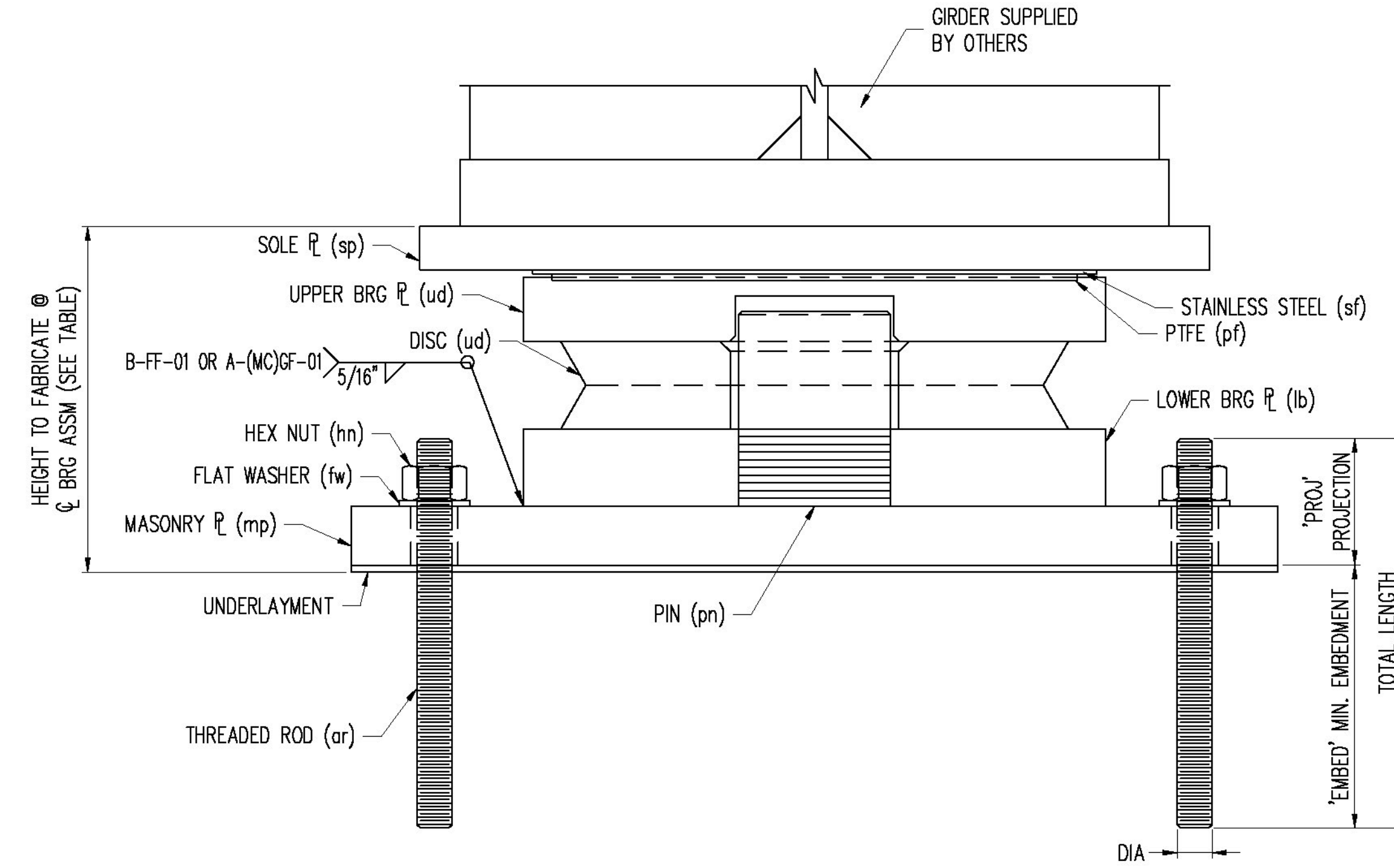


MK	QTY	DESCRIPTION
6A	2	DM-375
6sp1	2	SOLE PLATE
6sf1	2	STAINLESS STEEL
6pf1	2	PTFE DISC
6ub1	2	UPPER BEARING PLATE
6lb1	2	LOWER BEARING PLATE
6ud1	2	URETHANE DISC
6pn1	2	SHEAR PIN
6mp1	2	MASONRY PLATE
6FA	2	UNDERLAYMENT (*SL)
6HA	8	THREADED ROD (*SL)
6HB	8	HEAVY HEX NUT (*SL)
6HC	8	FLAT WASHER (*SL)

HLMR BEARING ASSEMBLY LOCATION & LRFD DESIGN INFORMATION (DM)															
MK	QTY	STRUCTURE	BEARING TYPE	LOCATION	MAX VERT. SERVICE	MAX VERT. STRENGTH	MAX HORIZ. SERVICE	MAX HORIZ. STRENGTH	LONG MMNT	TRANS MMNT	ROTATION (RAD)	HEIGHT TO FABRICATE	HEIGHT IN PLANS	DIFFERENCE IN PLANS	UNDERLAYMENT IN HEIGHT (Y/N)
6A	2	Bridge No. 1	DM-375	Pier 2: 1 and 5	375.0 kips	540.0 kips	38.0 kips	38.0 kips	2.250	1.000	0.02	5.843	6.000	-0.157	YES



DM MULTI-DIRECTIONAL HLMR DISC BEARING ASSEMBLY  
PAID ITEM NO. 531.15

ANCHOR ROD SCHEDULE (DM)										
ASSEM MK	FOR BRG	PIECE MK	QTY	DIA	LENGTH	PROJ	EMBED	LOCATION	MATERIAL	COATING
6HA	6A	6ar1	8	1.500	22.000	4.000	18.000	Pier 2: 1 and 5	F1554 GR. 55	A153-HDG

NUT SCHEDULE (DM)						
ASSEM MK	FOR BRG	PIECE MK	QTY	DIA	MATERIAL	COATING
6HB	6A	6hn1	8	1.500	A563-DH OR A194-2H HEAVY HEX	A153-HDG

WASHER SCHEDULE (DM)						
ASSEM MK	FOR BRG	PIECE MK	QTY	DIA	MATERIAL	COATING
6HC	6A	6fw1	8	1.500	F436	A153-HDG

\* SL = SHIPPED LOOSE  
SEE SHT. 07, 08, 09, & 10 FOR SUB-ASSEMBLY DETAILS.  
SEE SHT. GN1 FOR GENERAL NOTES & GN2 FOR COATING NOTES & LIMITS.  
ALL DIMENSIONS IN INCHES UNLESS OTHERWISE NOTED

Vermont Agency of Transportation  
**RECEIVED**  
MORRISTOWN BR010240(3)S Disc Bearing Submittal\_Rev 2\_Approved 12.8.17.pdf  
CK'D BY CLC OK'D BY CWC  
December 1, 2017  
RESUBMIT NO Approved  
BY C. CARLSON DATE 12/08/17



REV.	DESCRIPTION	DATE	DET.	CHKD.
1	REVISED ANCHOR HARDWARE DIAMETER FROM 1.25" TO 1.5"	12/1/17	DSB	KTG

LOCATION	ITEM	QUANTITY
BRIDGE — NO. 1	53146-1114-B	2 OF 2
PROJECT — BRS 0240(3)S & STP HES 030-2(28)		
PROJECT NAME — MORRISTOWN		
P.O. NO. — K1619		
DESIGNER — T.Y. LIN INTERNATIONAL		
CUSTOMER — WINTERSET, INC.		

DESCRIPTION	SCALE	DRAWN BY	CHECKED BY	DATE
DM MULTI-DIRECTIONAL HLMR ASSEMBLY & DESIGN INFORMATION	N.T.S.	DA	KTG	11/17

PROJECT NUMBER	PRODUCT CODE	RELEASE	SHEET
53146	1114	1	06