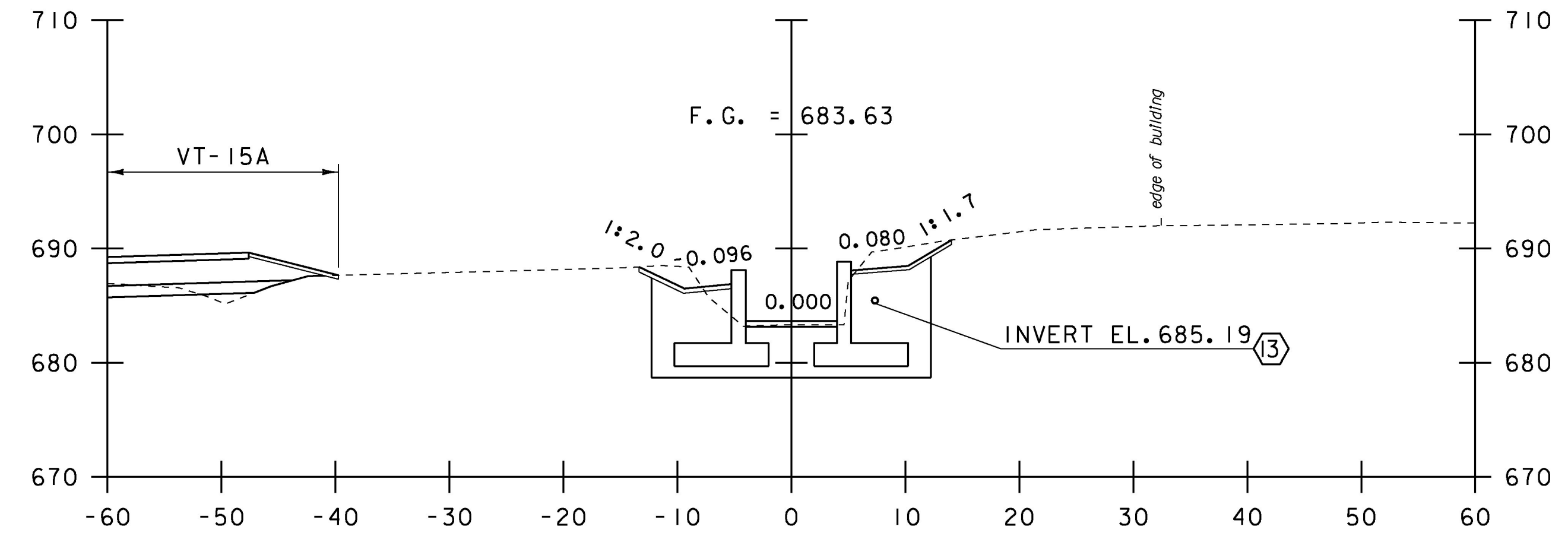
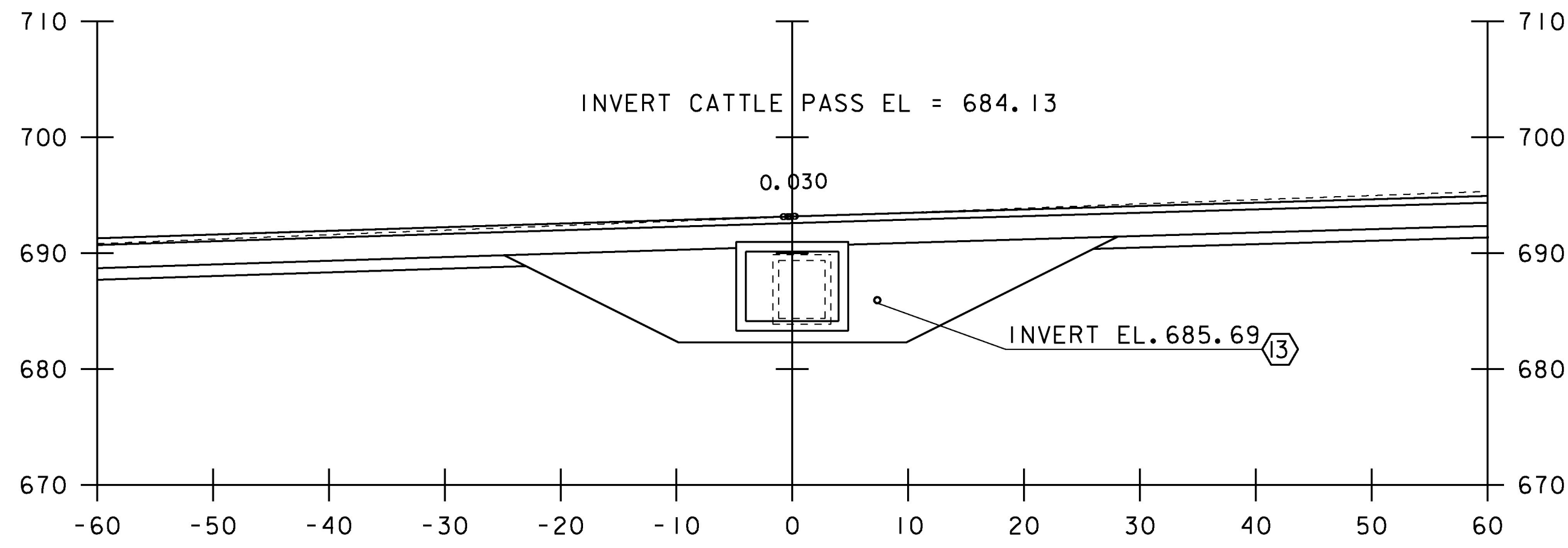


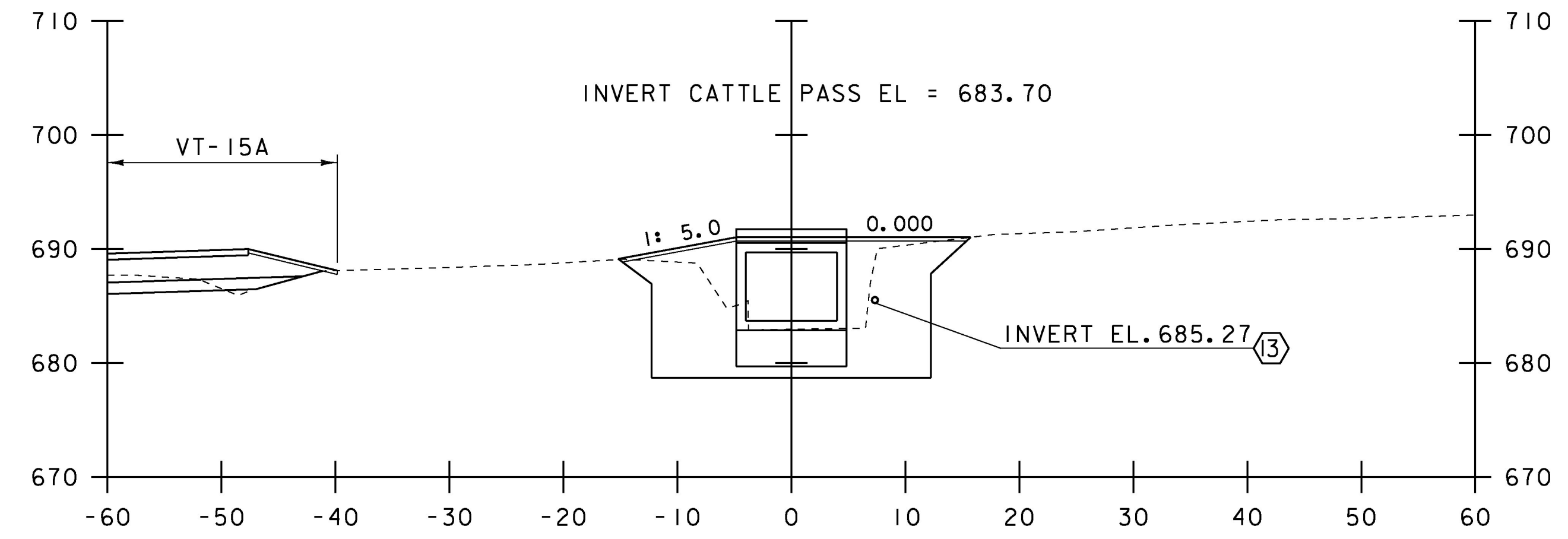
2+20



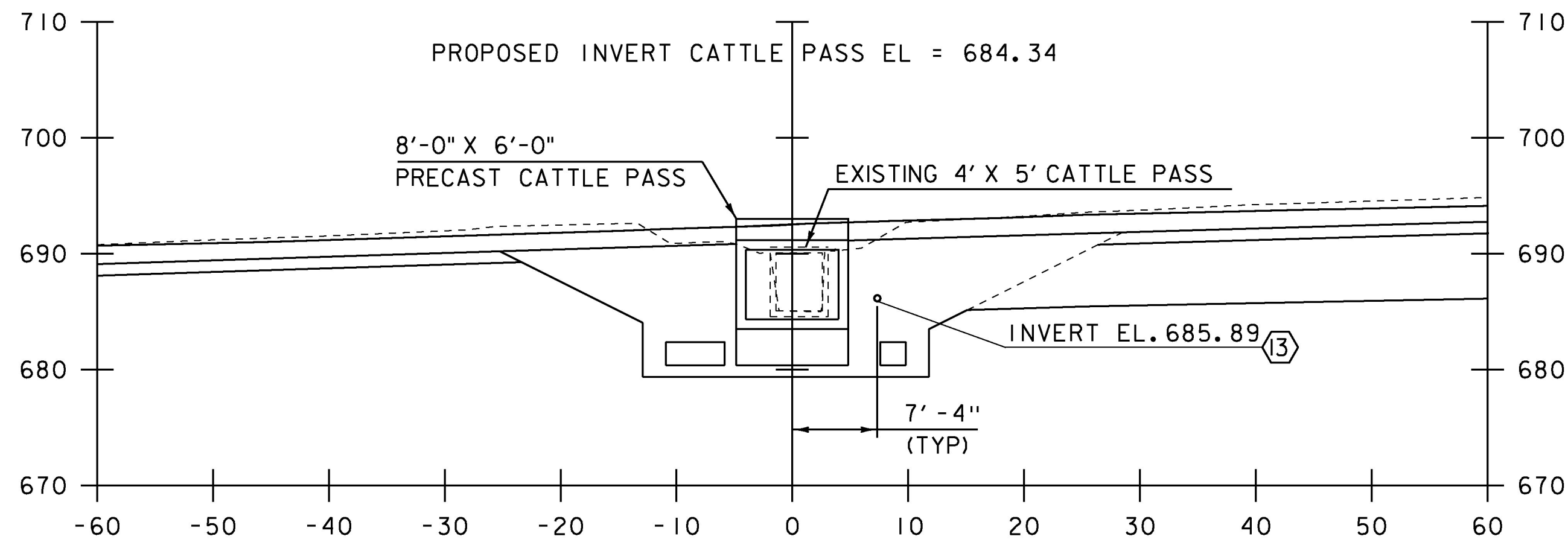
2+50



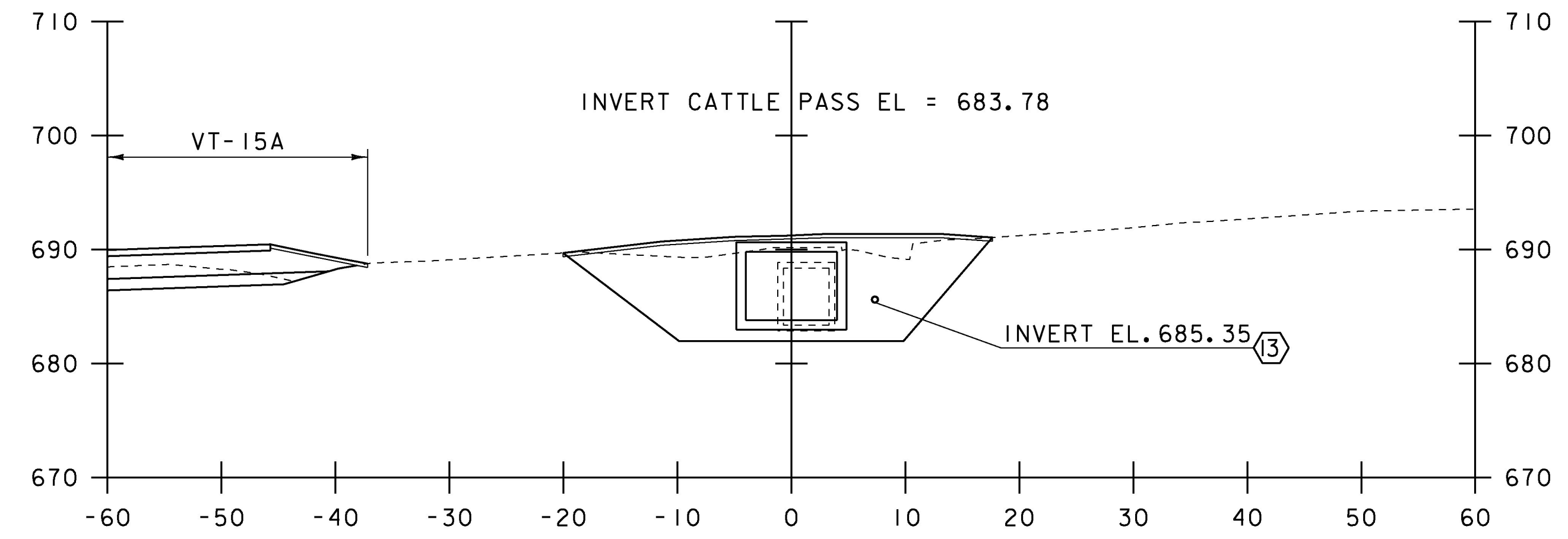
2+00



2+43



1+80



2+35

PROPOSED
8'-0" X 6'-0"
PRECAST CATTLE PASS
STARTS AT STA. 1+79.00

EXISTING 4' X 5' CATTLE PASS
STARTS AT STA. 1+80.31

⑬ NEW UNDERDRAIN PIPE (6 INCHES)

EXISTING 4' X 5' CATTLE PASS
ENDS AT STA. 2+35.73

STA. 1+80 TO STA. 2+50

PROJECT NAME: MORRISTOWN	PLOT DATE: 12-APR-2017
PROJECT NUMBER: BRS 0240(3)S/STP HES 030-2(28)	DRAWN BY: G. ROKES
FILE NAME: s78f329xs.dgn	CHECKED BY: J. LACROIX
PROJECT LEADER: C. CARLSON	SHEET 135 OF 175
DESIGNED BY: C. BURRALL	
PRECAST CATTLE PASS SECTIONS SHEET 2	