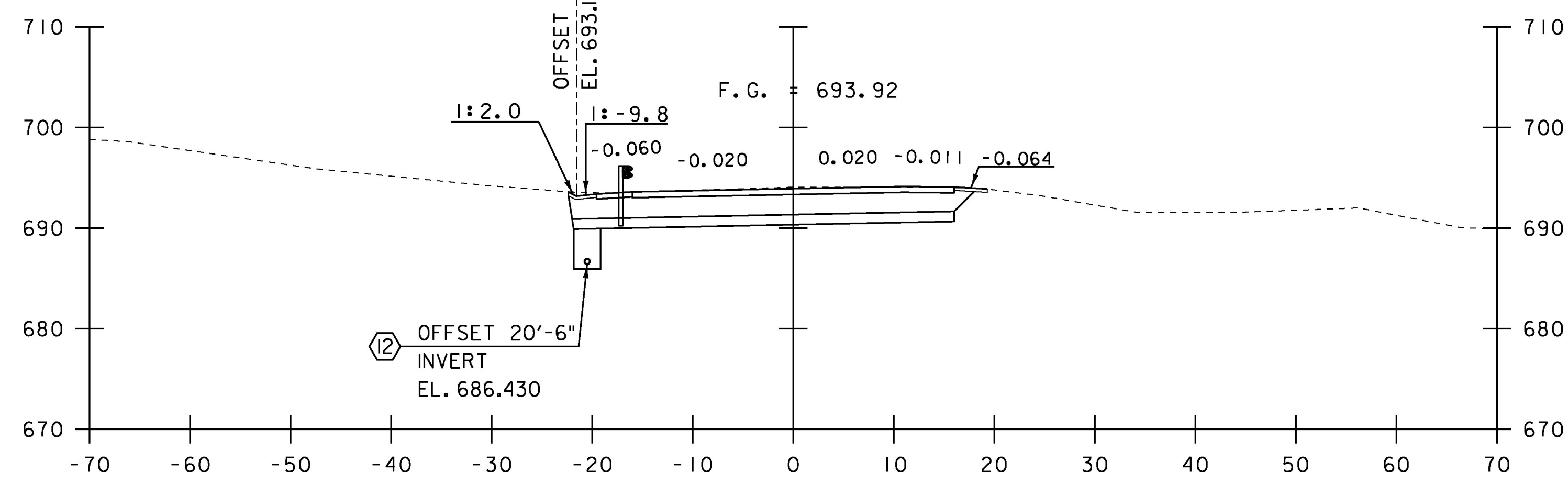
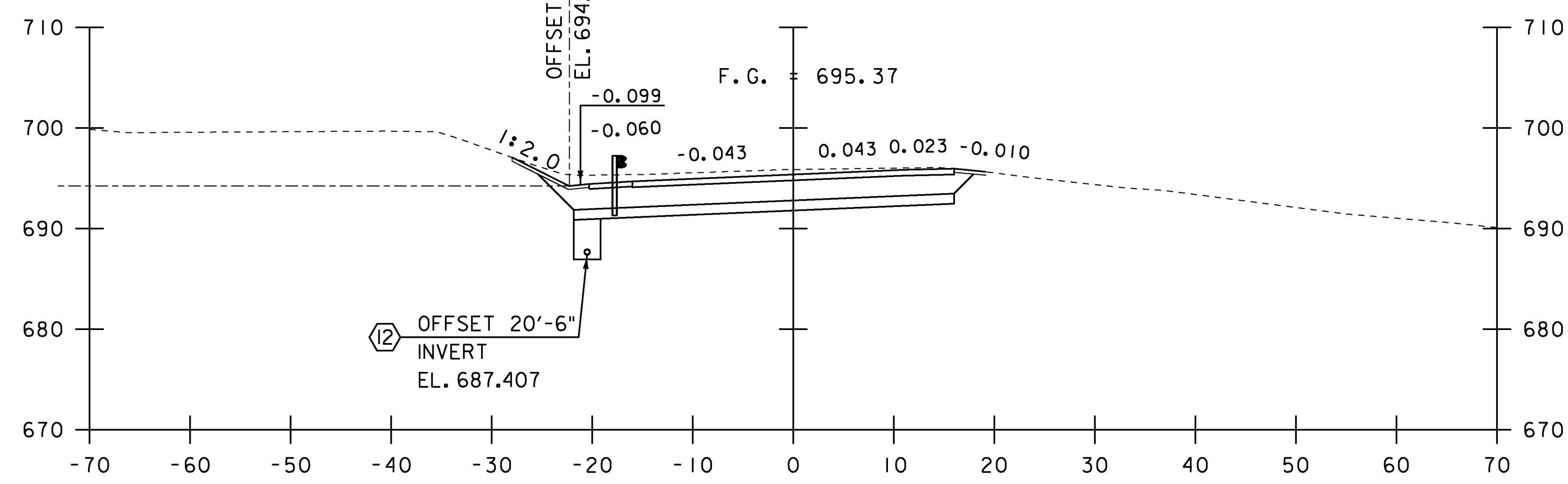


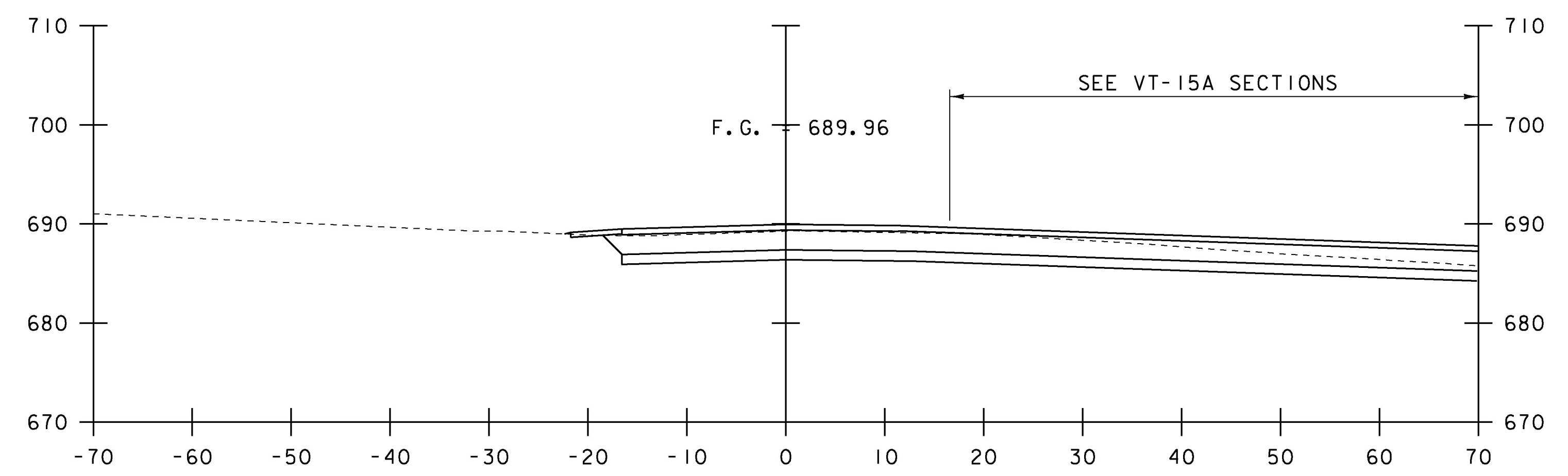
209+75
CATTLE PASS



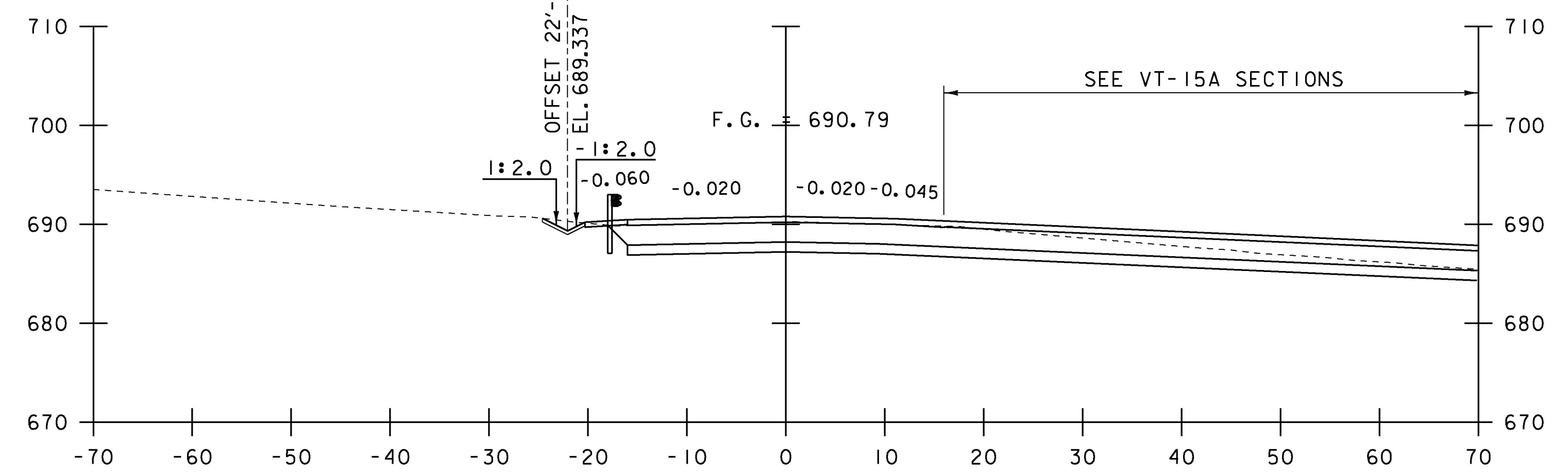
209+50



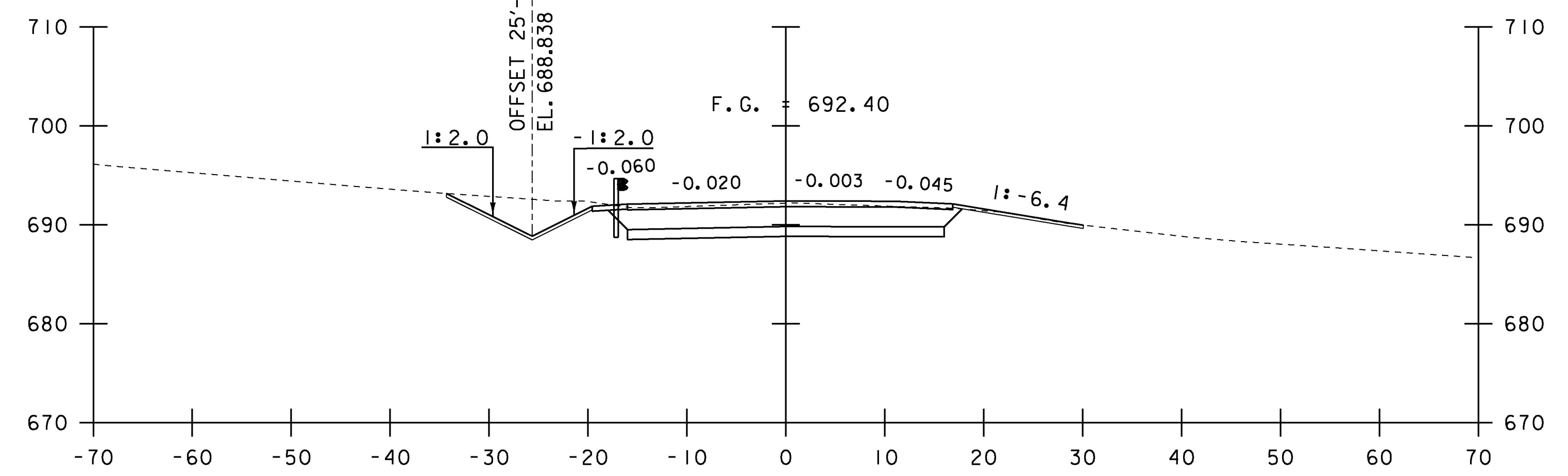
209+00



210+75
INTERSECTION VT-15A STA. 118+33.00 SKEWED



210+50



210+00

STA. 209+00 TO STA. 210+75

PROJECT NAME:	MORRISTOWN
PROJECT NUMBER:	BRS 0240(3)S/STP HES 030-2(28)
FILE NAME:	s78f329xs.dgn
PROJECT LEADER:	C. CARLSON
DESIGNED BY:	C. BURRALL
VT 15 SECTIONS SHEET 5	
PLOT DATE:	12-APR-2017
DRAWN BY:	G. ROKES
CHECKED BY:	J. LACROIX
SHEET	118 OF 175