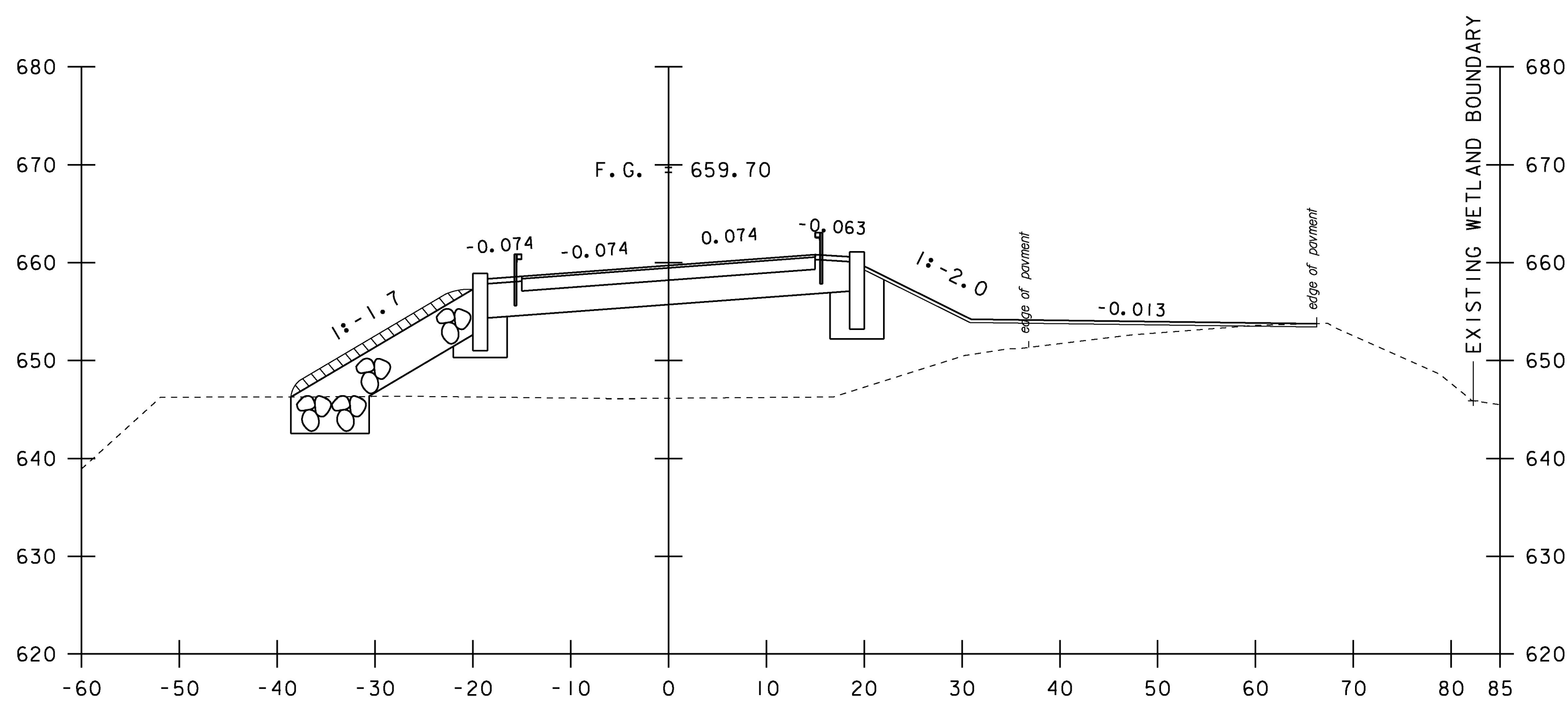
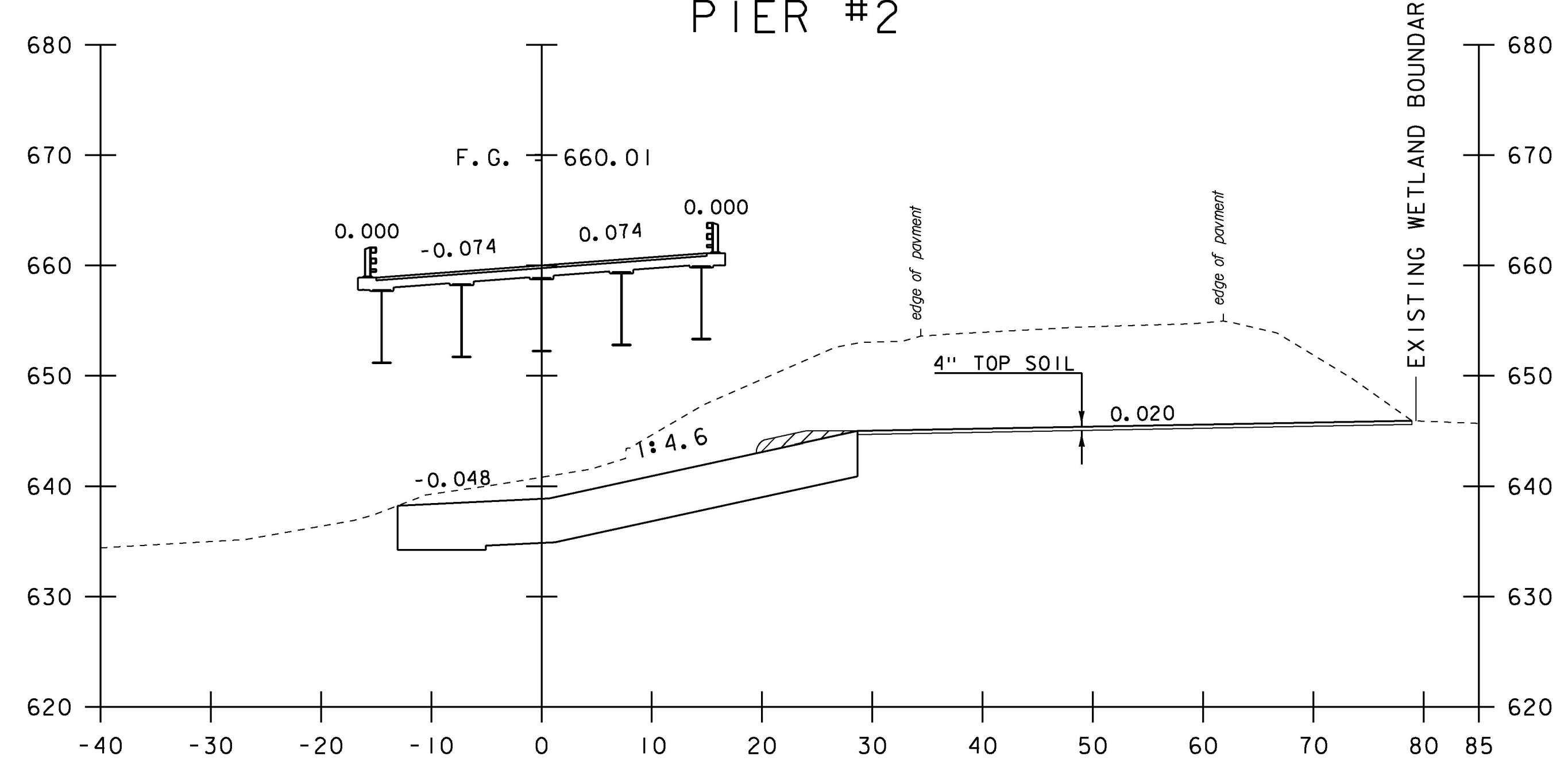


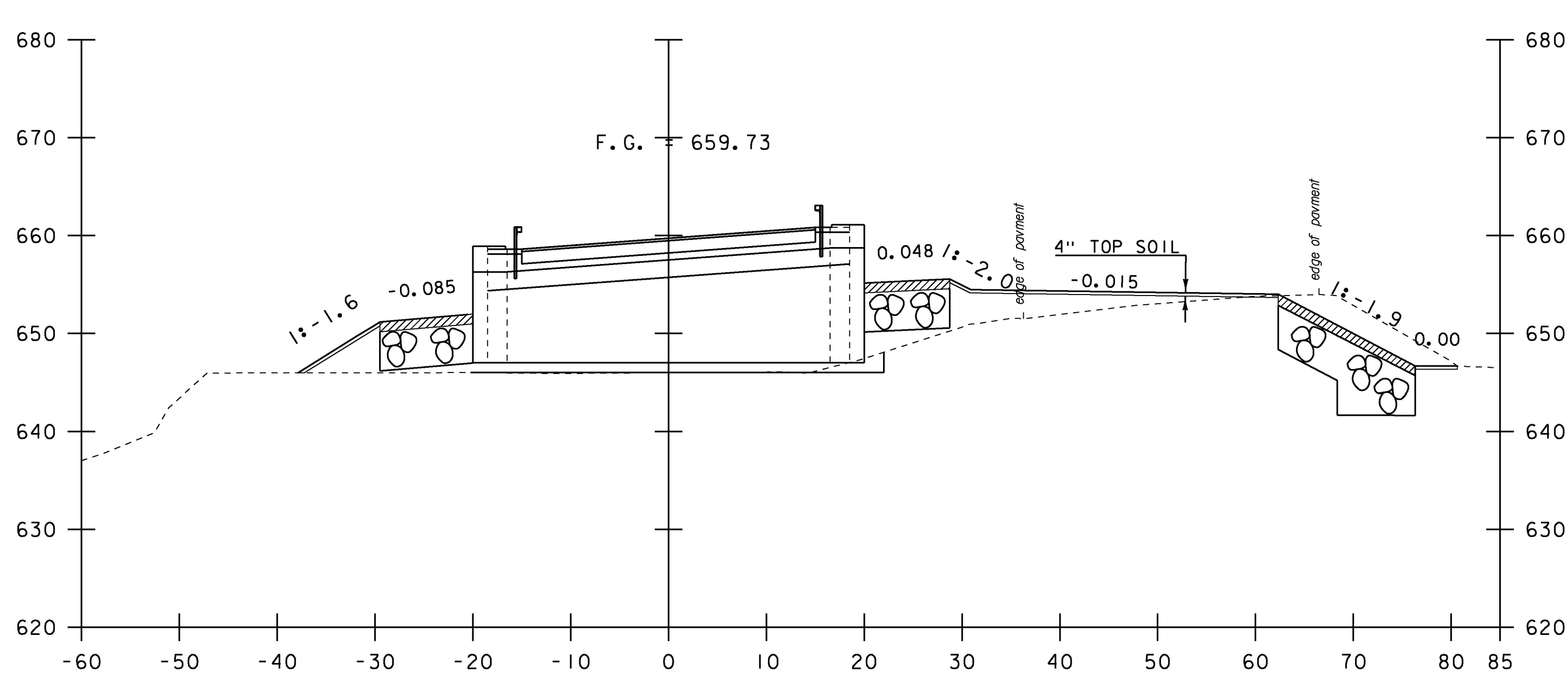
110+60
PIER #2



111+00



110+50



110+91.33
END BRIDGE

STA. 110+50 TO STA. 111+00

PROJECT NAME:	MORRISTOWN
PROJECT NUMBER:	BRS 0240(3)S/STP HES 030-2(28)
FILE NAME:	s78f329xs.dgn
PROJECT LEADER:	C. CARLSON
DESIGNED BY:	C. BURRALL
VT 15A SECTIONS SHEET 6	
PLOT DATE:	12-APR-2017
DRAWN BY:	G. ROKES
CHECKED BY:	J. LACROIX
SHEET	107 OF 175