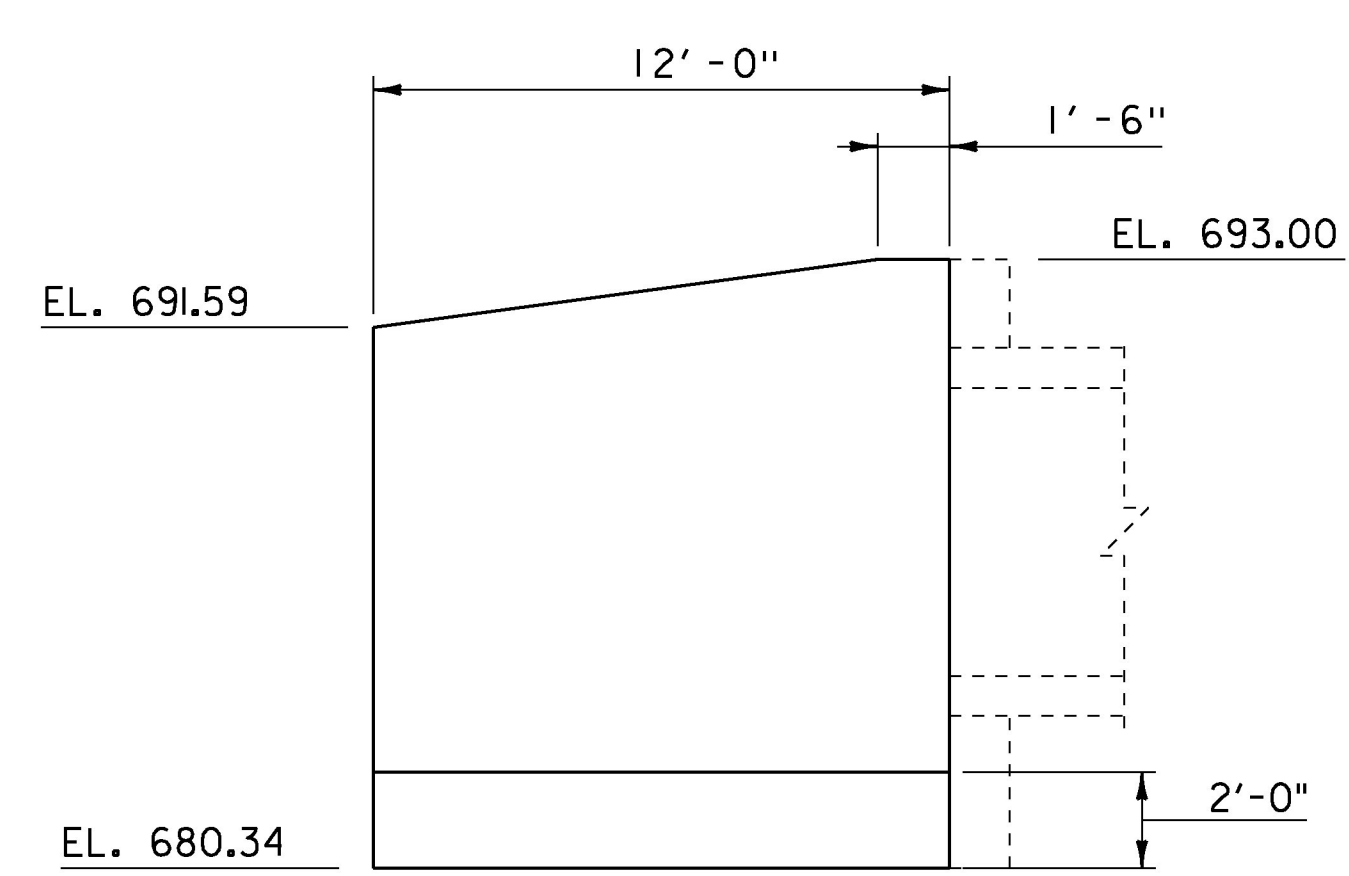


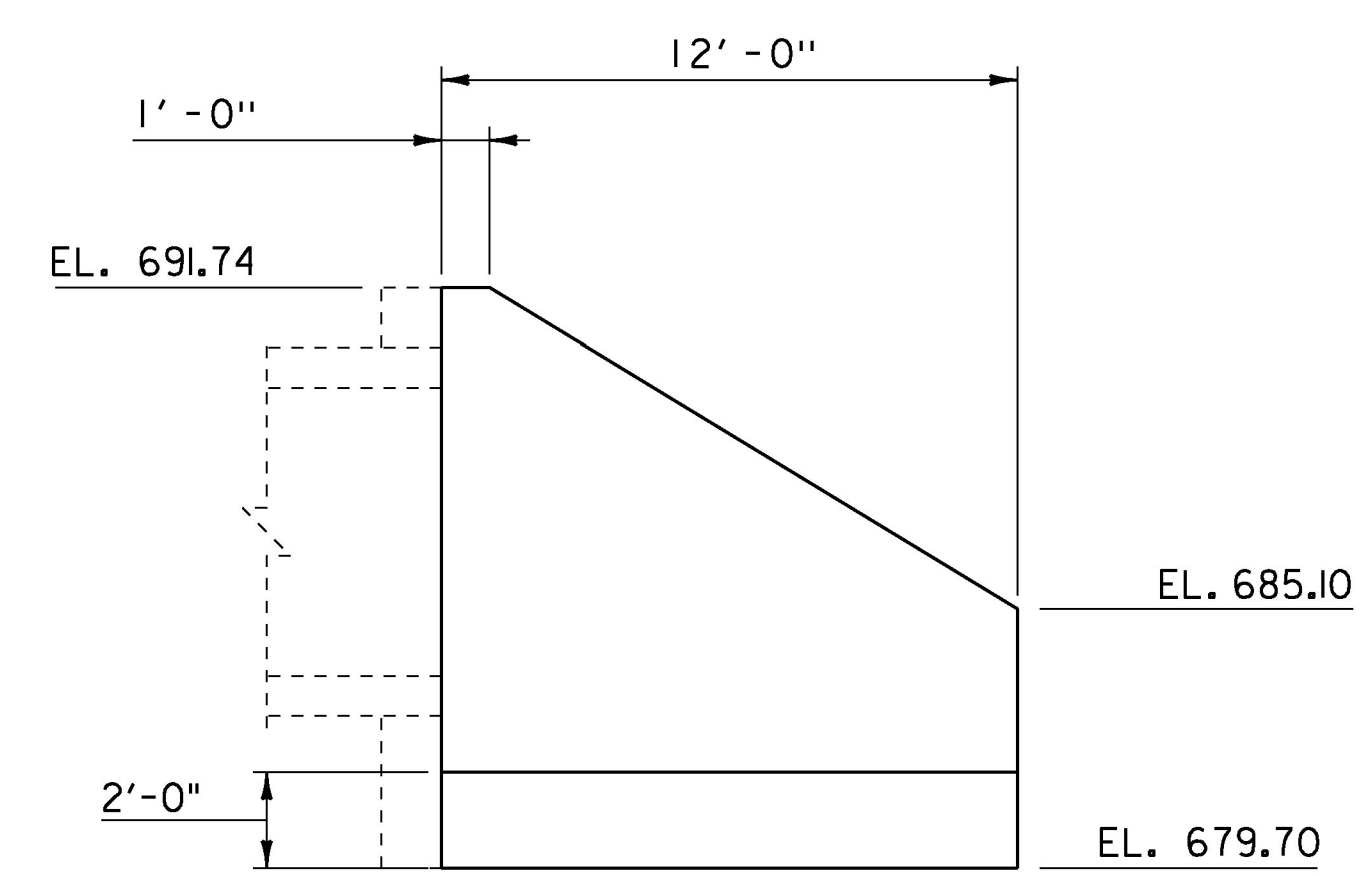
WINGWALL NO. 1 ELEVATION

SCALE 1/4" = 1'-0"



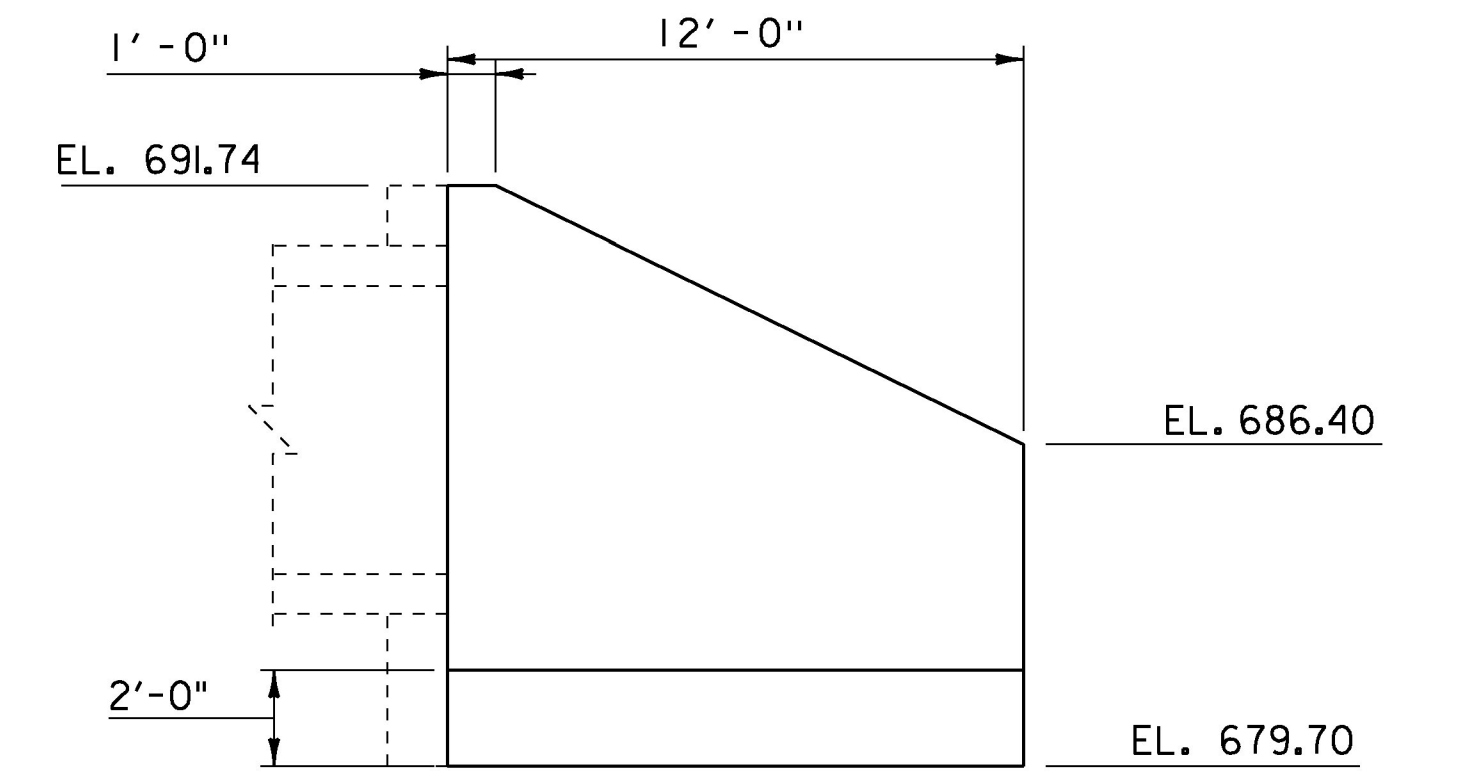
WINGWALL NO. 2 ELEVATION

SCALE 1/4" = 1'-0"



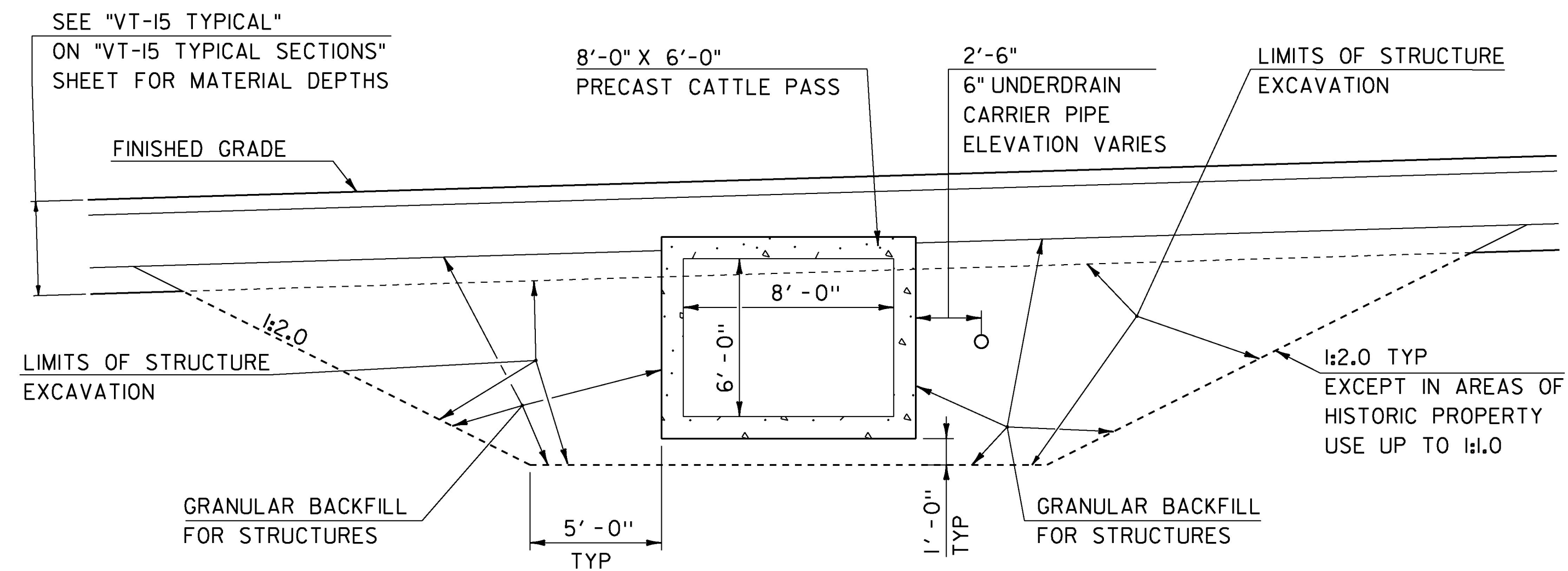
WINGWALL NO. 3 ELEVATION

SCALE 1/4" = 1'-0"



WINGWALL NO. 4 ELEVATION

SCALE 1/4" = 1'-0"



PRECAST CATTLE PASS TYPICAL

SCALE 1/4" = 1'-0"

NOTE:

EXCAVATION FOR THE INSTALLATION OF THE PRECAST CATTLE PASS WILL BE PAID FOR UNDER ITEM 204.25 "STRUCTURE EXCAVATION". SINCE THE EXISTING CATTLE PASS FALLS WITHIN THE SAME FOOT PRINT, ANY EXCAVATION FOR THE REMOVAL OF THE EXISTING CATTLE PASS SHALL BE INCIDENTAL TO THIS ITEM.

PROJECT NAME:	MORRISTOWN
PROJECT NUMBER:	BRS 0240(3)S/STP HES 030-2(28)
FILE NAME:	s78f329box.dgn
PROJECT LEADER:	C. CARLSON
DESIGNED BY:	C. BURRALL
PRECAST CATTLE PASS WINGWALL ELEVATION SHEET	101 OF 175
PLOT DATE:	12-APR-2017
DRAWN BY:	G. ROKES
CHECKED BY:	J. LACROIX