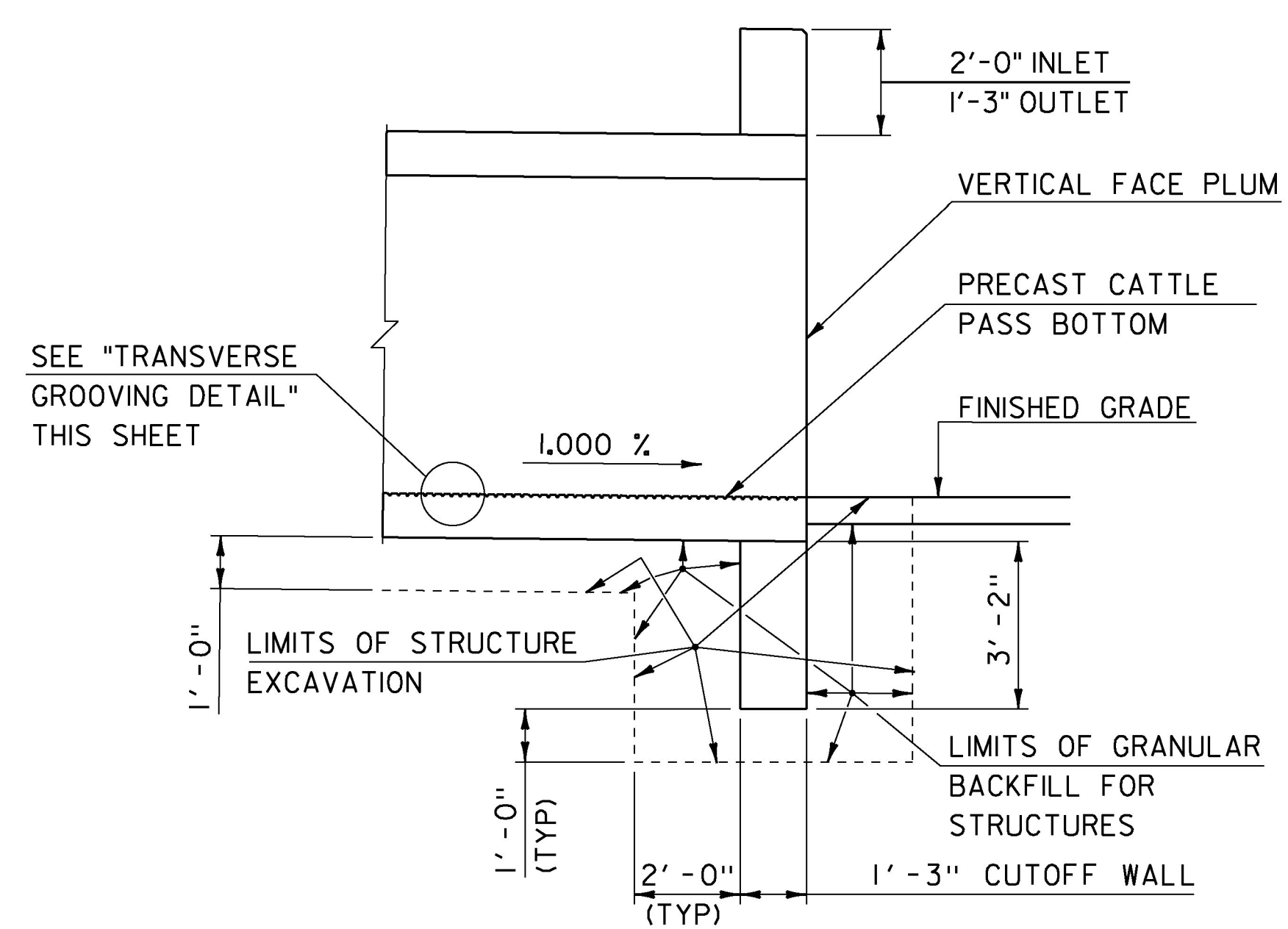
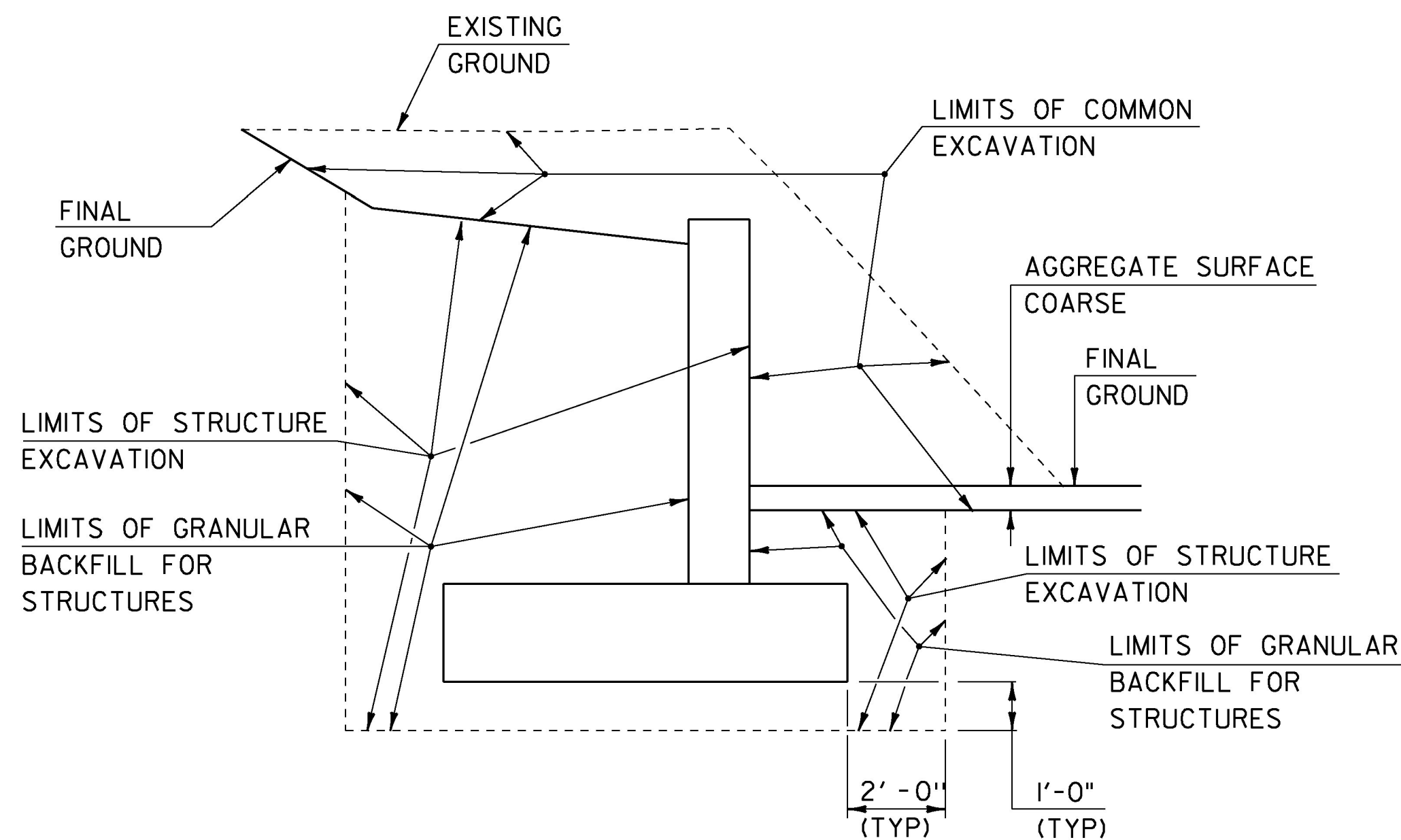


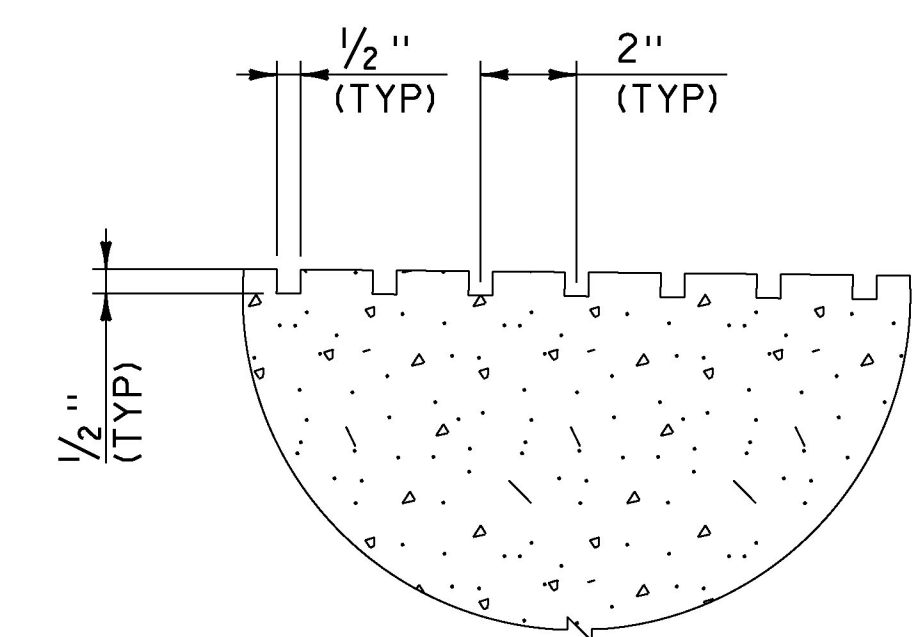
PRECAST CATTLE PASS PLAN
 SCALE 1/4" = 1'-0"



PRECAST CATTLE PASS END
 LONGITUDINAL SECTION
 SCALE 3/8" = 1'-0"



WINGWALL EXCAVATION
 DETAIL
 SCALE 3/8" = 1'-0"



TRANSVERSE GROOVING DETAIL
 NTS

PROJECT NAME:	MORRISTOWN
PROJECT NUMBER:	BRS 0240(3)S/STP HES 030-2(28)
FILE NAME:	s78f329box.dgn
PROJECT LEADER:	C. CARLSON
DESIGNED BY:	C. BURRALL
PRECAST CATTLE PASS END TYPICAL	
PLOT DATE:	12-APR-2017
DRAWN BY:	G. ROKES
CHECKED BY:	J. LACROIX
SHEET	100 OF 175