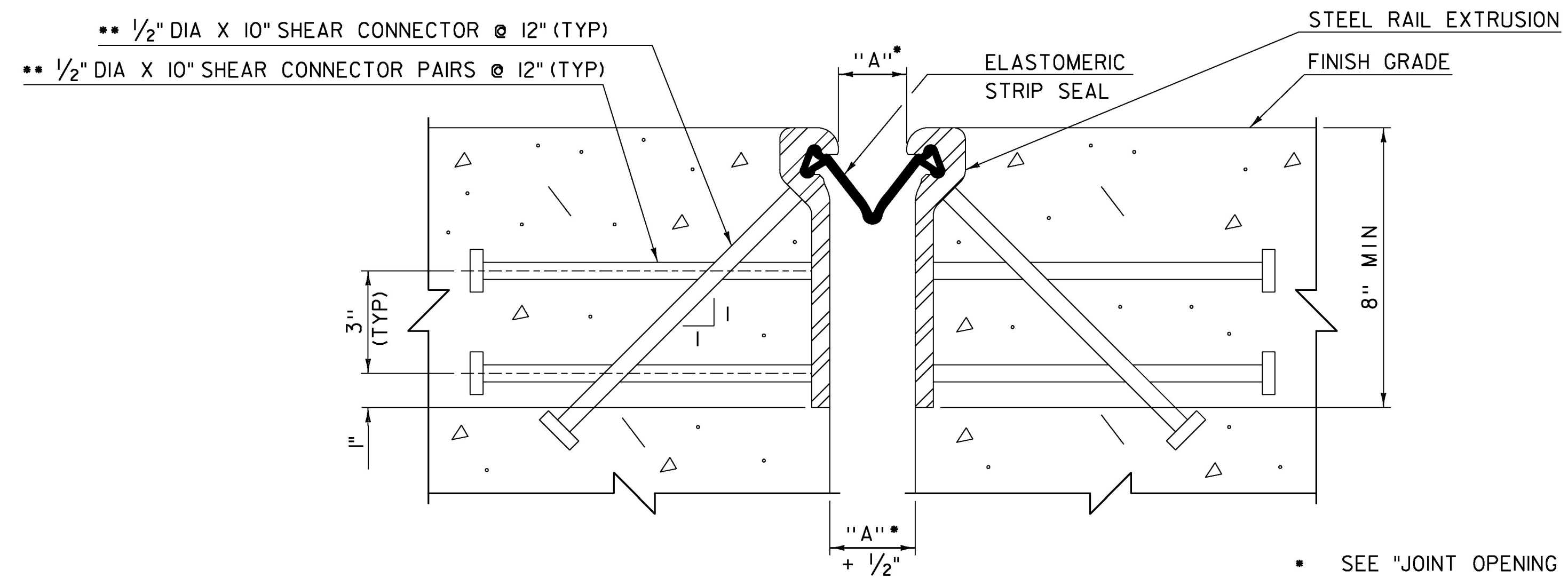
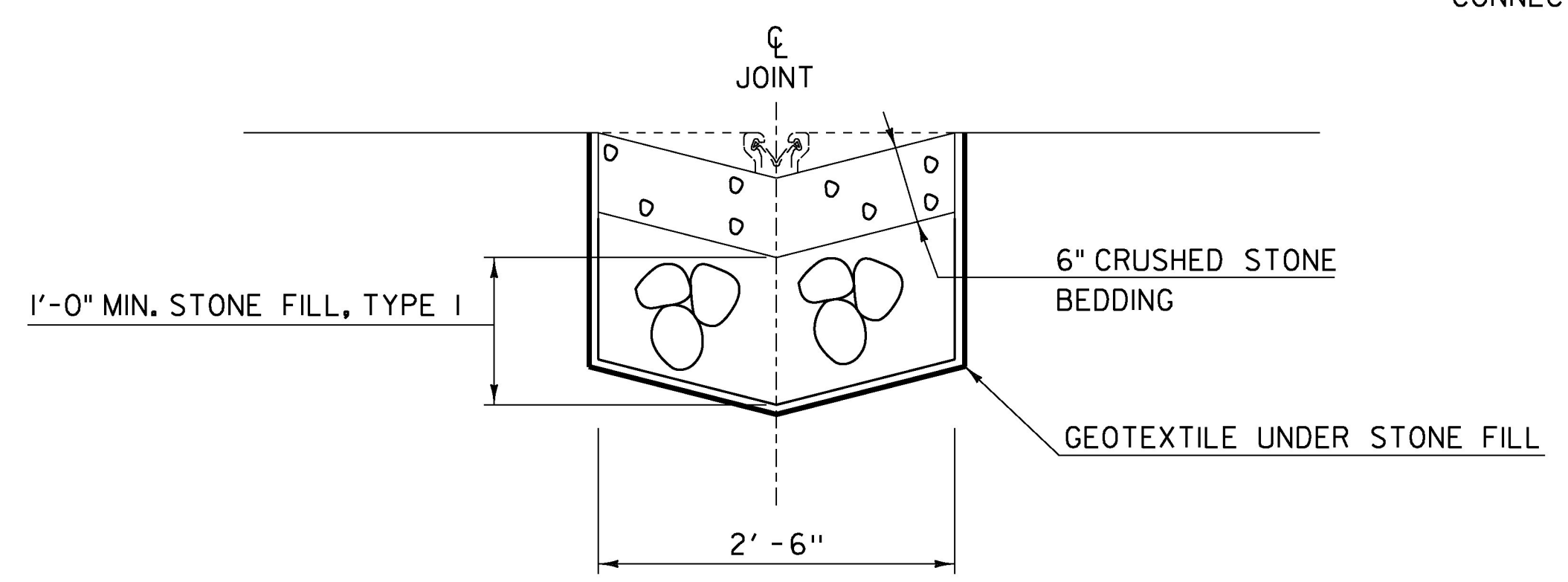


EXPANSION JOINT SECTION ALONG CL JOINT
SCALE 1" = 1'-0"



EXPANSION JOINT TYPICAL SECTION
SCALE 1/4" = 1'-0"

- SEE "JOINT OPENING TABLE" THIS SHEET
- ALTERNATE HORIZONTAL SHEAR CONNECTOR PAIRS WITH ANGLED SHEAR CONNECTORS @ 6" SPACING.



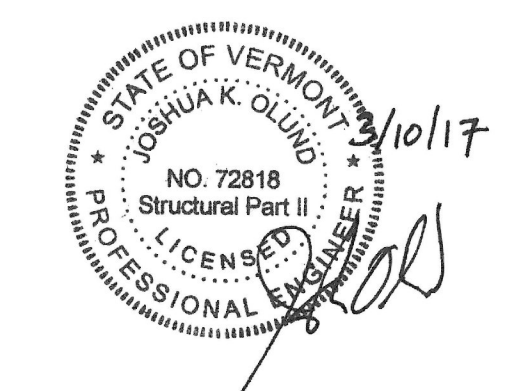
SECTION A-A
SCALE 1" = 1'-0"

NOTES:

1. CRUSHED STONE BEDDING SHALL BE GRADED AS DIRECTED BY THE ENGINEER TO ALLOW DRAINAGE AWAY FROM THE ROADWAY AND TO PREVENT SOIL INTRUSION WITHIN THE JOINT OPENING BELOW THE ELASTOMERIC STRIP SEAL.
2. CRUSHED STONE BEDDING SHALL MEET THE REQUIREMENTS OF SUBSECTION 704.02, TABLE 704.02C. PAYMENT WILL BE MADE UNDER ITEM 629.54, "CRUSHED STONE BEDDING."
3. TEMPERATURES PROVIDED IN THE JOINT SETTING TABLE ARE THAT OF THE STEEL GIRDERS AND NOT NECESSARILY THE AMBIENT AIR TEMPERATURE.
4. THE MINIMUM JOINT MOVEMENT RATING SHALL BE 4 INCHES.
5. THE EXPANSION DEVICE SHALL BE SET TO AN OPENING (DIMENSION "A") OF 2 INCHES IN THE FABRICATION SHOP. THE JOINT OPENING SHALL BE ADJUSTED FOR TEMPERATURE IN THE FIELD AT THE TIME OF CONSTRUCTION IN ACCORDANCE WITH THE JOINT OPENING TABLE, THIS SHEET.
6. WELDING TO THE REINFORCING STEEL WITHIN THE APPROACH SLAB BLOCKOUT AND SLEEPER SLAB STEM WILL BE ALLOWED TO AID IN SETTING THE JOINT TO THE CORRECT GRADE. WELDING OF REINFORCING STEEL SHALL MEET THE REQUIREMENTS OF SUBSECTION 507.05

JOINT OPENING TABLE

TEMP. (F)	(DIM "A")
45	2 1/2"
60	2 1/4"
75	2"
90	1 3/4"



TYLIN INTERNATIONAL	PROJECT NAME: MORRISTOWN	PLOT DATE: 12-APR-2017
	PROJECT NUMBER: BRS 0240(3)S/STP HES 030-2(28)	DRAWN BY: G. ROKES
	FILE NAME: s78f329sub.dgn	CHECKED BY: J. OLUND
	PROJECT LEADER: C. CARLSON	SHEET 98 OF 175
	DESIGNED BY: D. MYERS	
	EXPANSION JOINT PLAN	