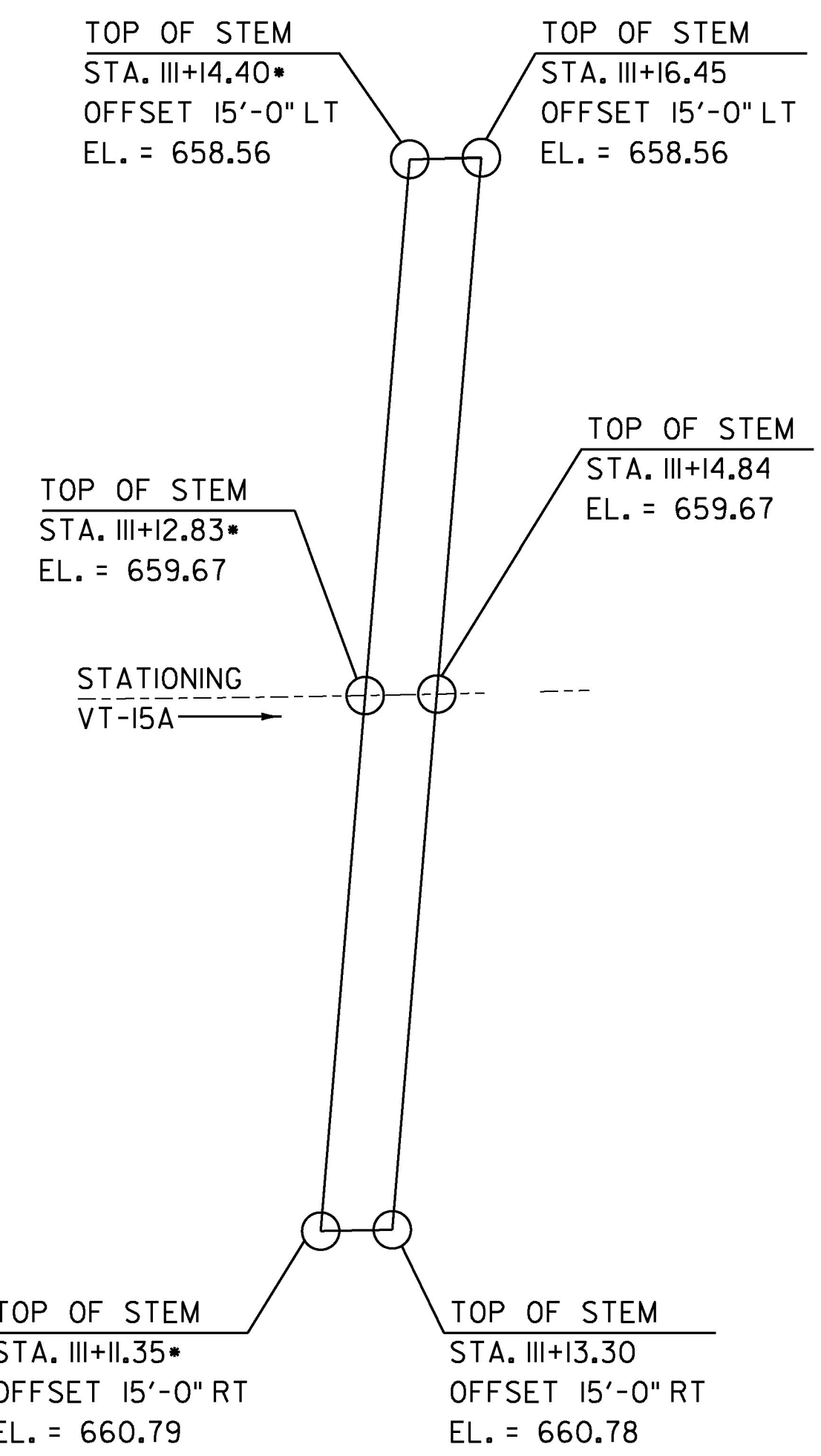
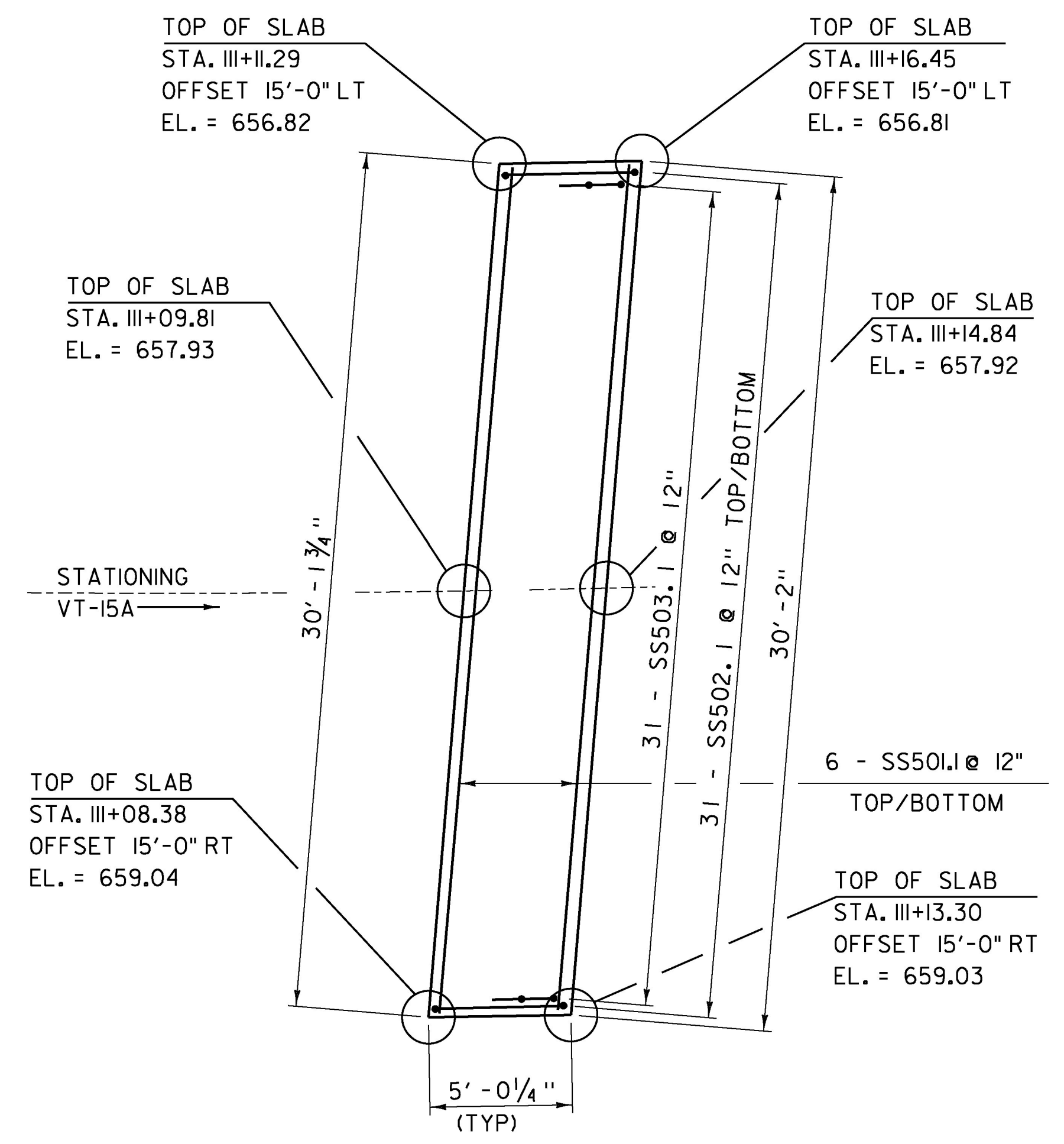


APPROACH SLAB NO. 2 PLAN
SCALE 1/4" = 1'-0"

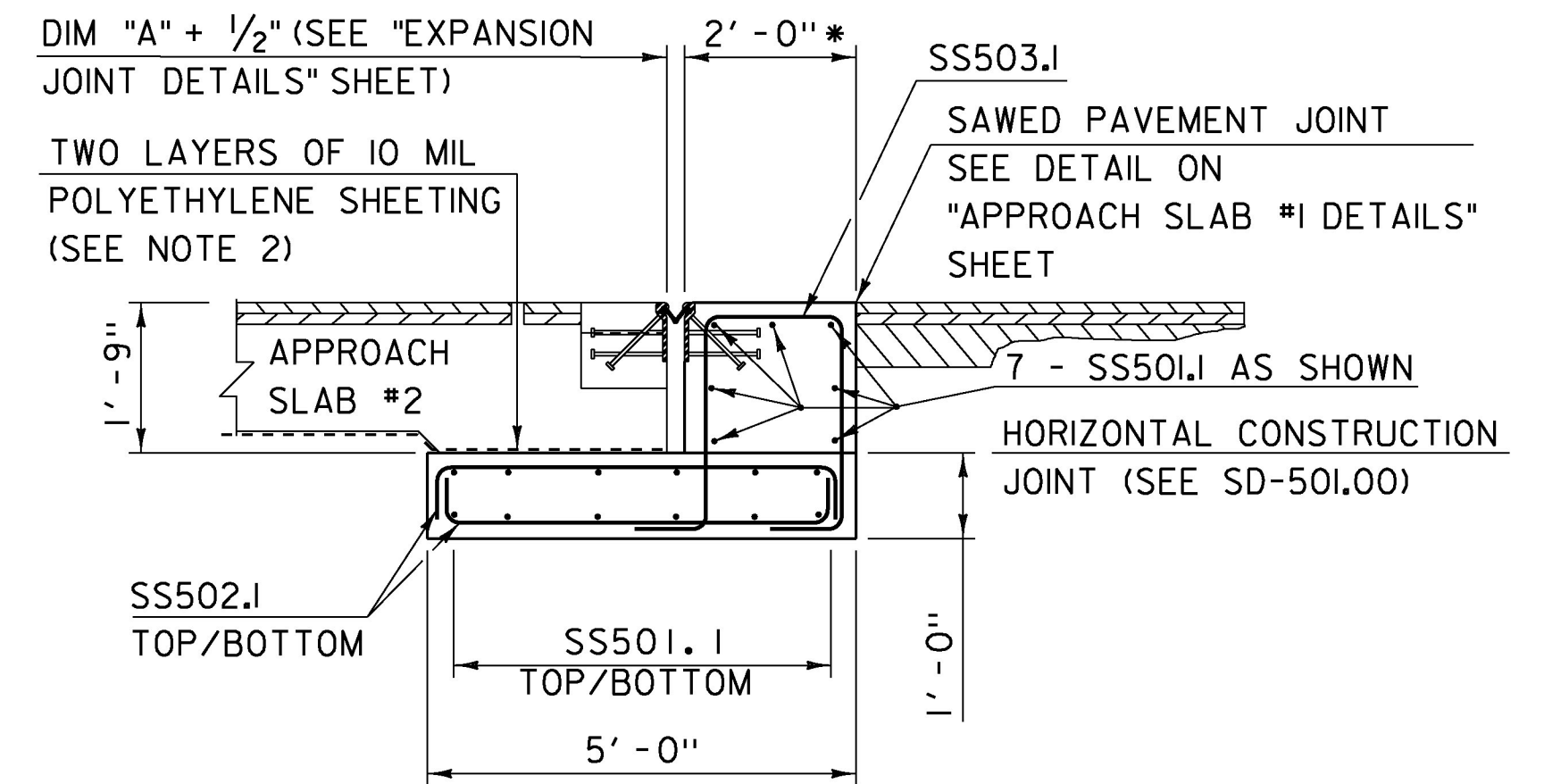


SLEEPER SLAB STEM PLAN
SCALE 1/4" = 1'-0"

*DIMENSIONS AND STATIONS ARE BASED ON A JOINT OPENING AT 45°F. ADJUSTMENTS SHALL BE MADE BASED ON THE JOINT SETTING TABLE ON THE "EXPANSION JOINT DETAILS" SHEET.

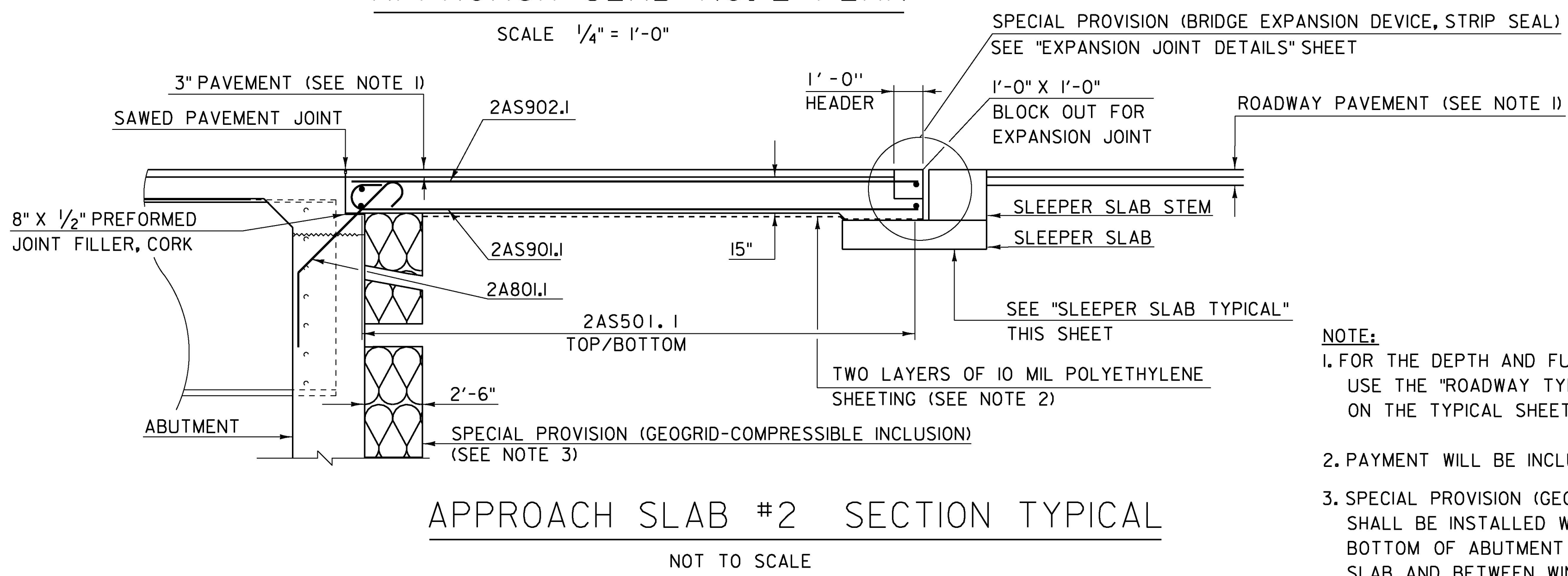


SLEEPER SLAB PLAN
SCALE 1/4" = 1'-0"



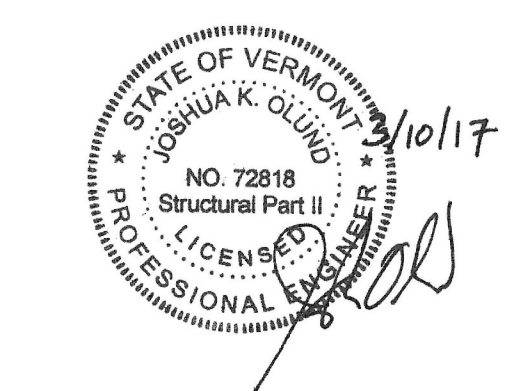
SLEEPER SLAB TYPICAL
SCALE 1/2" = 1'-0"

NOTE:
NF = NEAR FACE
FF = FAR FACE
EF = EACH FACE
▲ = CUT TO FIT IN FIELD
3" CLEAR, UNLESS OTHERWISE SPECIFIED ON THE PLANS.
2'-2" BAR LAP UNLESS OTHERWISE SPECIFIED ON THE PLANS.



APPROACH SLAB #2 SECTION TYPICAL
NOT TO SCALE

NOTE:
1. FOR THE DEPTH AND FULL PAY ITEM NAME OF "PAVEMENT" USE THE "ROADWAY TYPICAL" DETAIL ITEM NAME LOCATED ON THE TYPICAL SHEET.
2. PAYMENT WILL BE INCLUDED UNDER ITEM 501.34.
3. SPECIAL PROVISION (GEOGRID-COMPRESSIBLE INCLUSION) SHALL BE INSTALLED WITHIN THE LIMITS FROM THE BOTTOM OF ABUTMENT TO BOTTOM OF APPROACH SLAB AND BETWEEN WINGWALLS.



TYLIN INTERNATIONAL

PROJECT NAME:	MORRISTOWN
PROJECT NUMBER:	BRS 0240(3)S/STP HES 030-2(28)
FILE NAME:	s78f329sub.dgn
PROJECT LEADER:	C. CARLSON
DESIGNED BY:	J. OLUND
APPROACH SLAB DETAILS#2	
PLOT DATE:	12-APR-2017
DRAWN BY:	G. ROKES
CHECKED BY:	T. POULIN
SHEET	97 OF 175