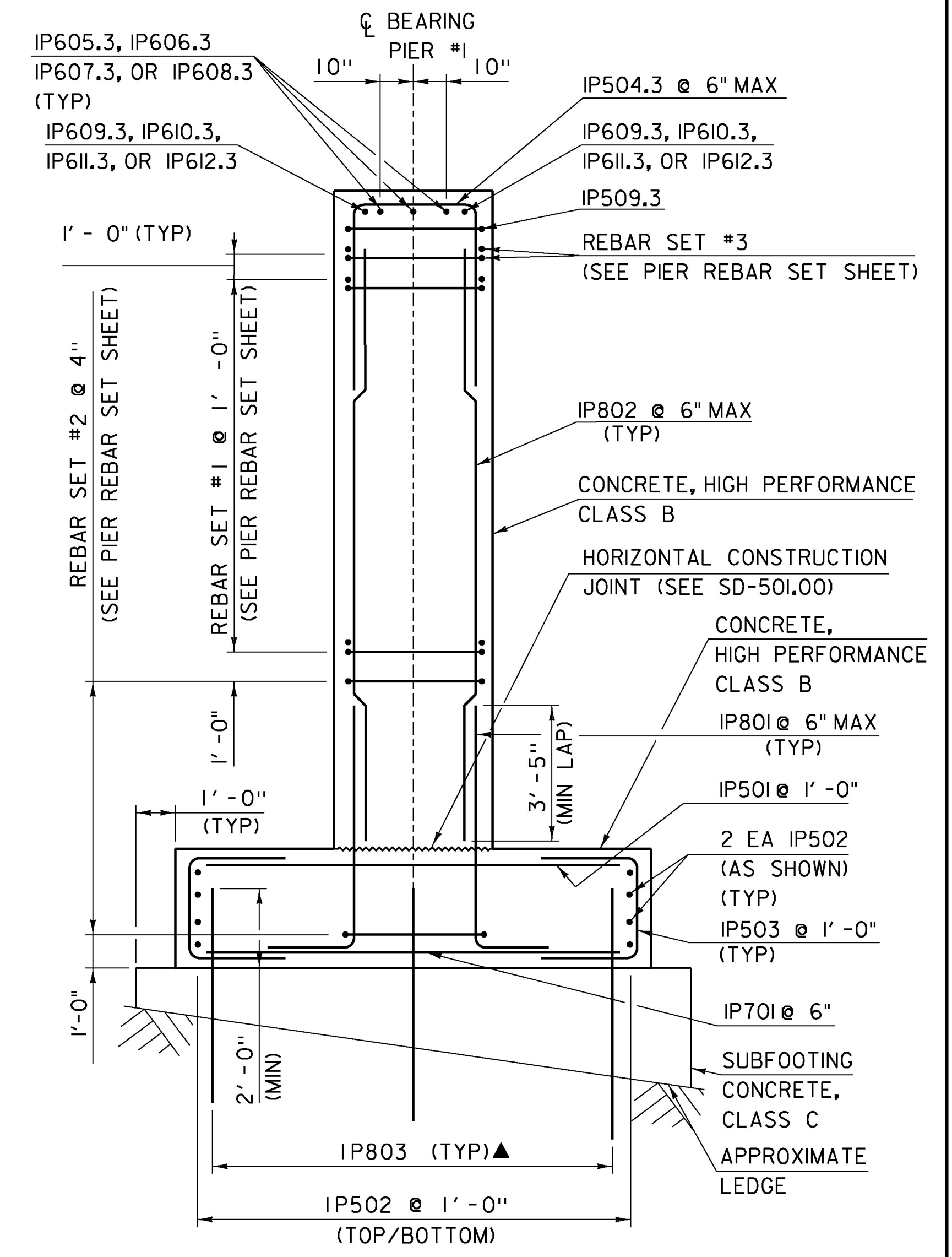
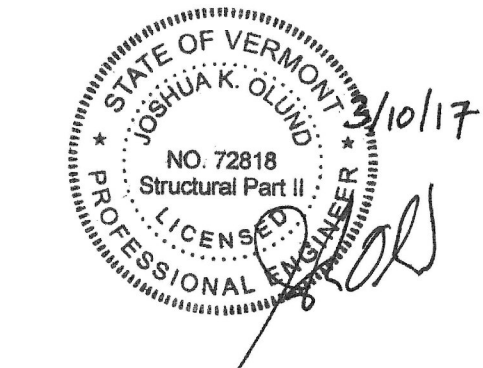


PIER #1 FOOTING PLAN
SCALE 3/8" = 1'-0"



PIER #1 TYPICAL SECTION
SCALE 3/8" = 1'-0"

- NOTES:
- NF = NEAR FACE
 - FF = FAR FACE
 - EF = EACH FACE
 - ▲ = CUT TO FIT IN FIELD
 - 4" CLEAR, UNLESS OTHERWISE SPECIFIED ON THE PLANS.
 - 2'-1" BAR LAP UNLESS OTHERWISE SPECIFIED ON THE PLANS.



TYLIN INTERNATIONAL	PROJECT NAME: MORRISTOWN	PLOT DATE: 12-APR-2017
	PROJECT NUMBER: BRS 0240(3)S/STP HES 030-2(28)	
	FILE NAME: s78f329sub.dgn PROJECT LEADER: C. CARLSON DESIGNED BY: D. MYERS PIER #1 FOOTING AND TYPICAL	