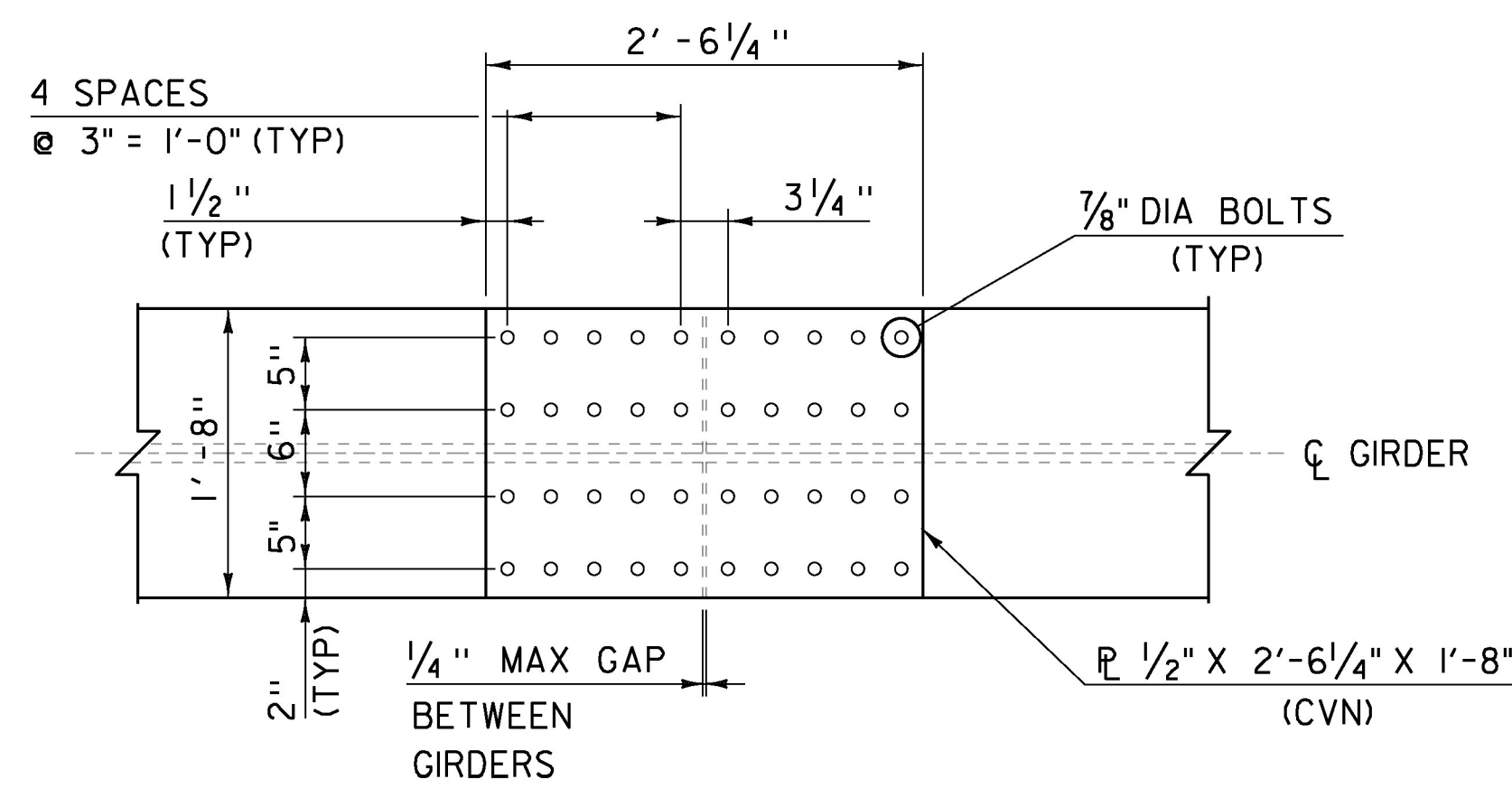
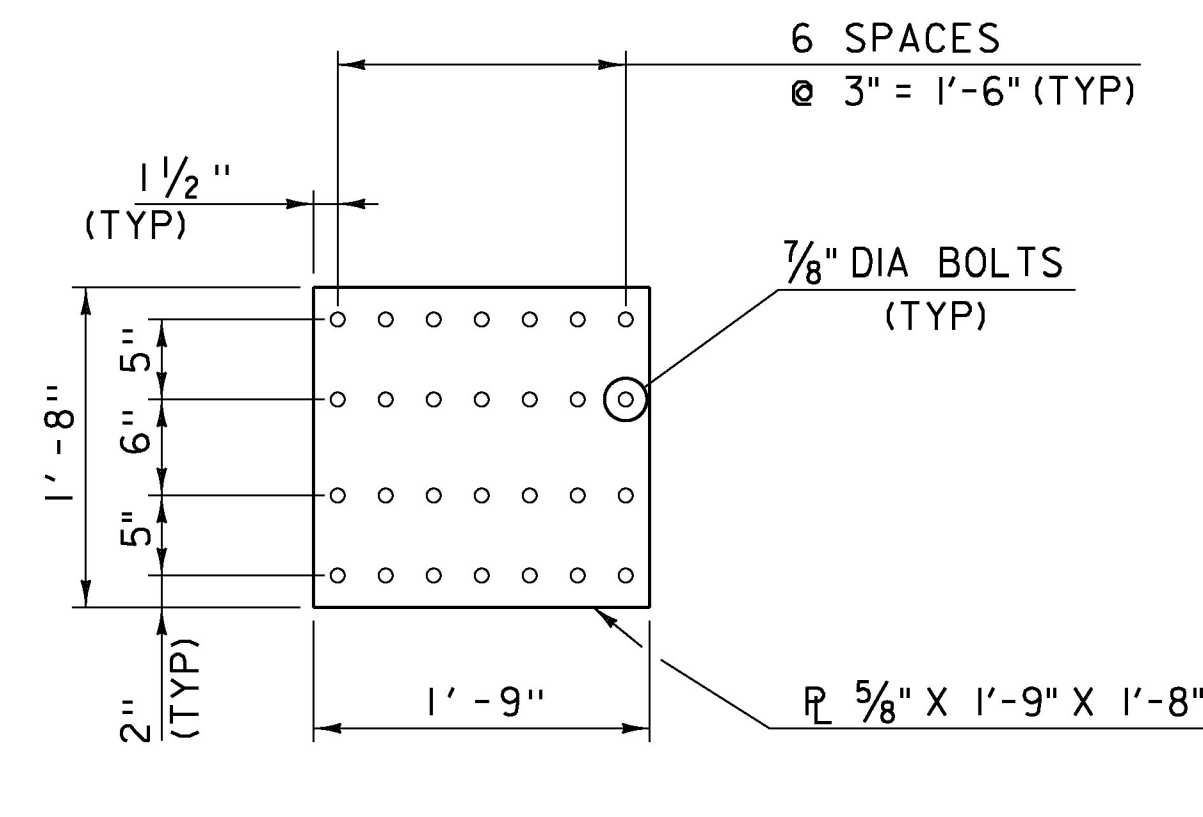


TOP INSIDE FLANGE SPLICE PLATE
(GIRDERS 4,5)
SCALE 1" = 1'-0"

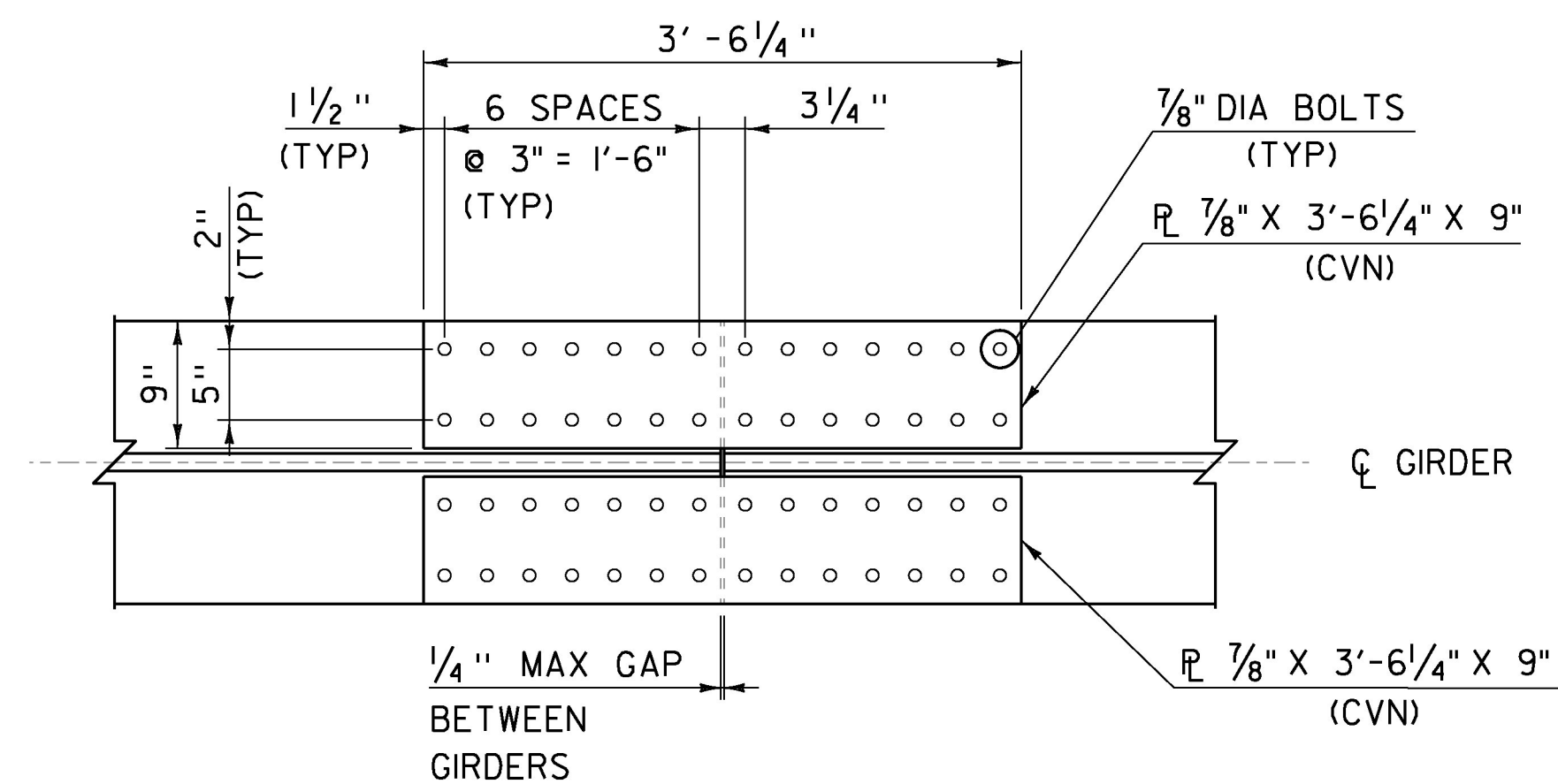


TOP OUTSIDE FLANGE SPLICE PLATE
(GIRDERS 4,5)
SCALE 1" = 1'-0"

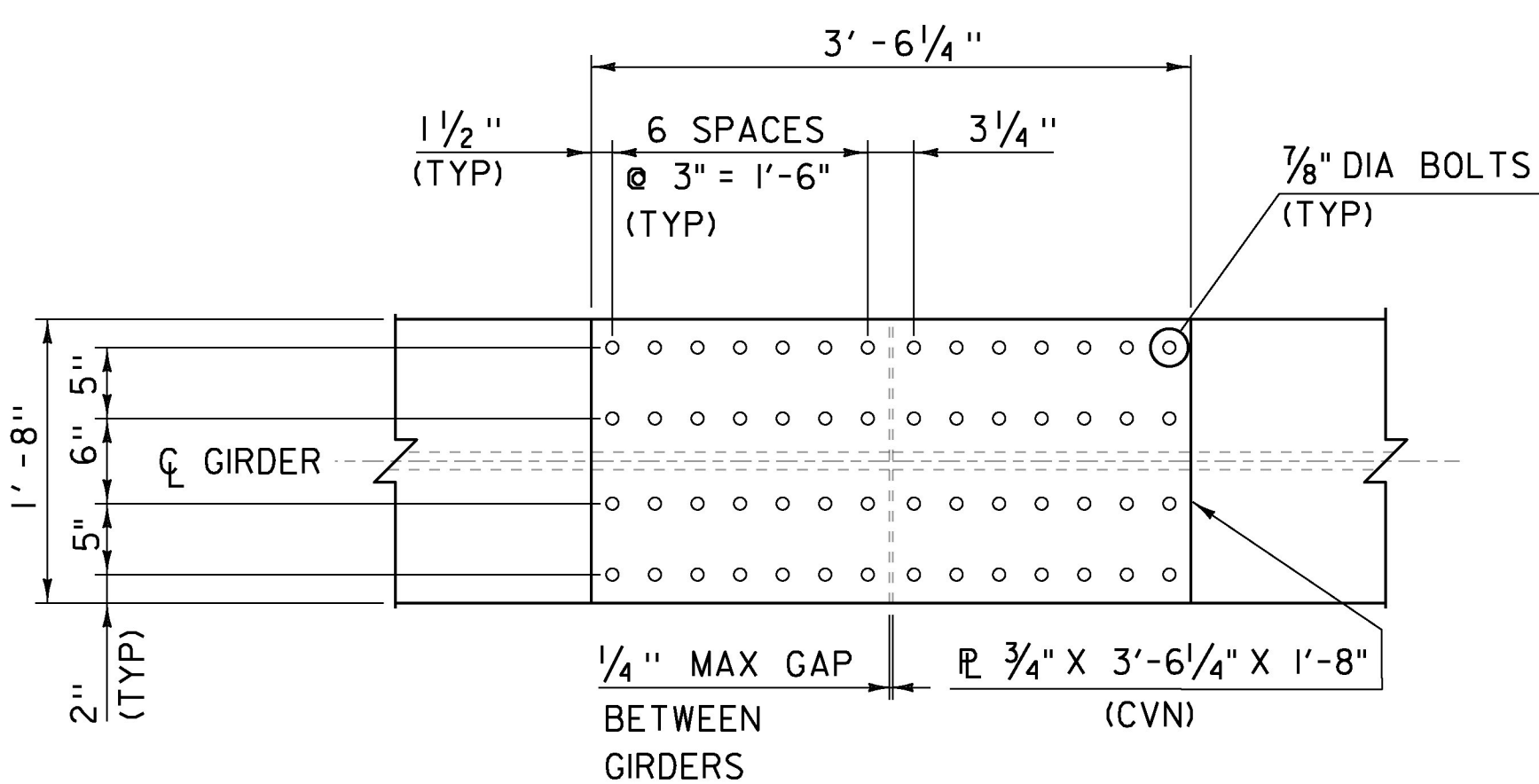


FILL PLATE
BOTTOM FLANGE
(GIRDERS 4,5)
SCALE 1" = 1'-0"

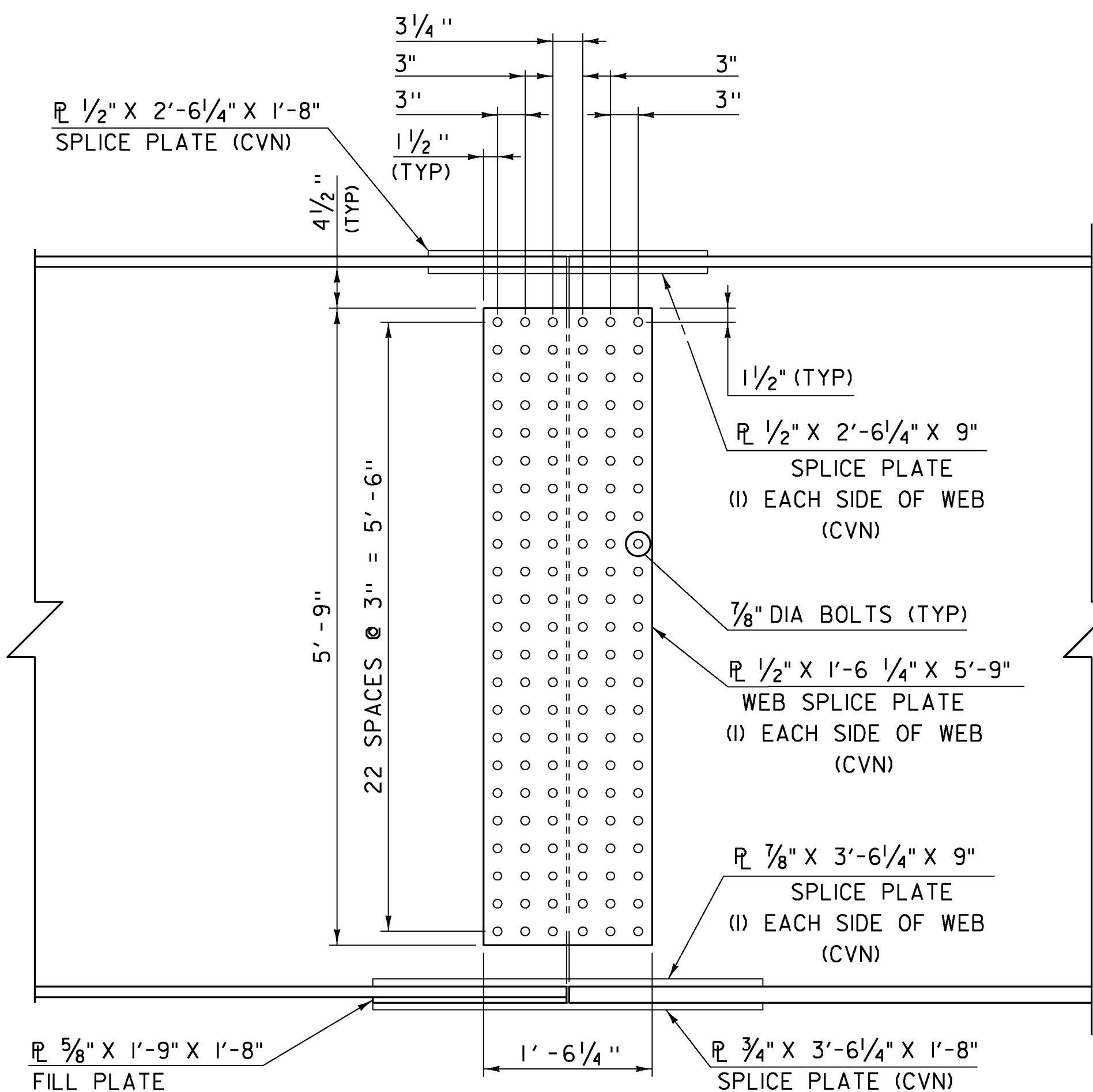
NOTES:
1. ALL STRUCTURAL STEEL ON THIS SHEET IS AASHTO M 270M/M 270 GRADE 50W (TYP).



BOTTOM INSIDE FLANGE SPLICE PLATE
(GIRDERS 4,5)
SCALE 1" = 1'-0"

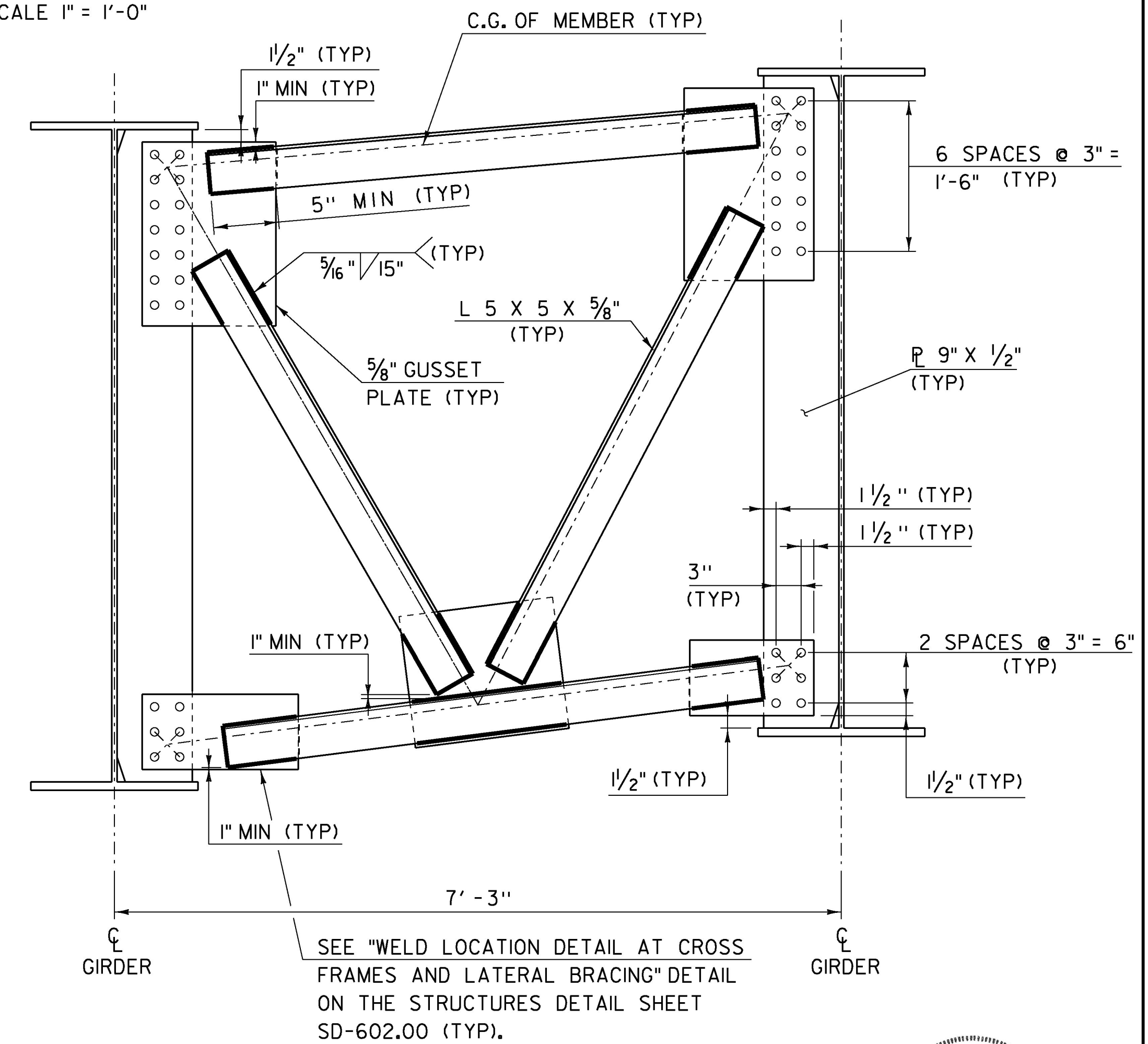


BOTTOM OUTSIDE FLANGE SPLICE PLATE
(GIRDERS 4,5)
SCALE 1" = 1'-0"

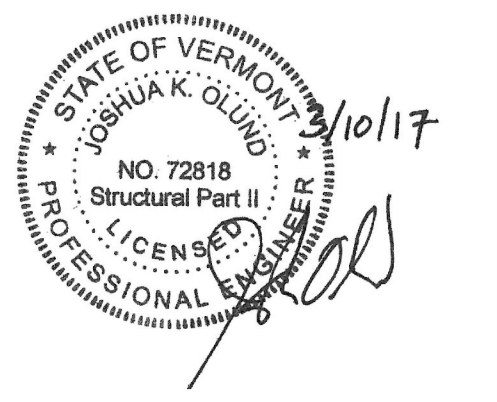


SPLICE ELEVATION
(GIRDERS 4,5)
SCALE 1" = 1'-0"

NOTE:
1. ALL CROSS FRAMES SHALL HAVE CHARPY V-NOTCH TEST PERFORMED AS SPECIFIED IN SUBSECTION 714.01



INTERMEDIATE CROSS FRAME TYPICAL
SCALE 1" = 1'-0"



TYLIN INTERNATIONAL	PROJECT NAME: MORRISTOWN	PLOT DATE: 12-APR-2017 DRAWN BY: G. ROKES CHECKED BY: J. OLUND SHEET 85 OF 175
	PROJECT NUMBER: BRS 0240(3)S/STP HES 030-2(28)	
	FILE NAME: s78f329sup.dgn PROJECT LEADER: C. CARLSON DESIGNED BY: K. ROZANSKY GIRDER SPLICE PLATE DETAIL SHEET 2	