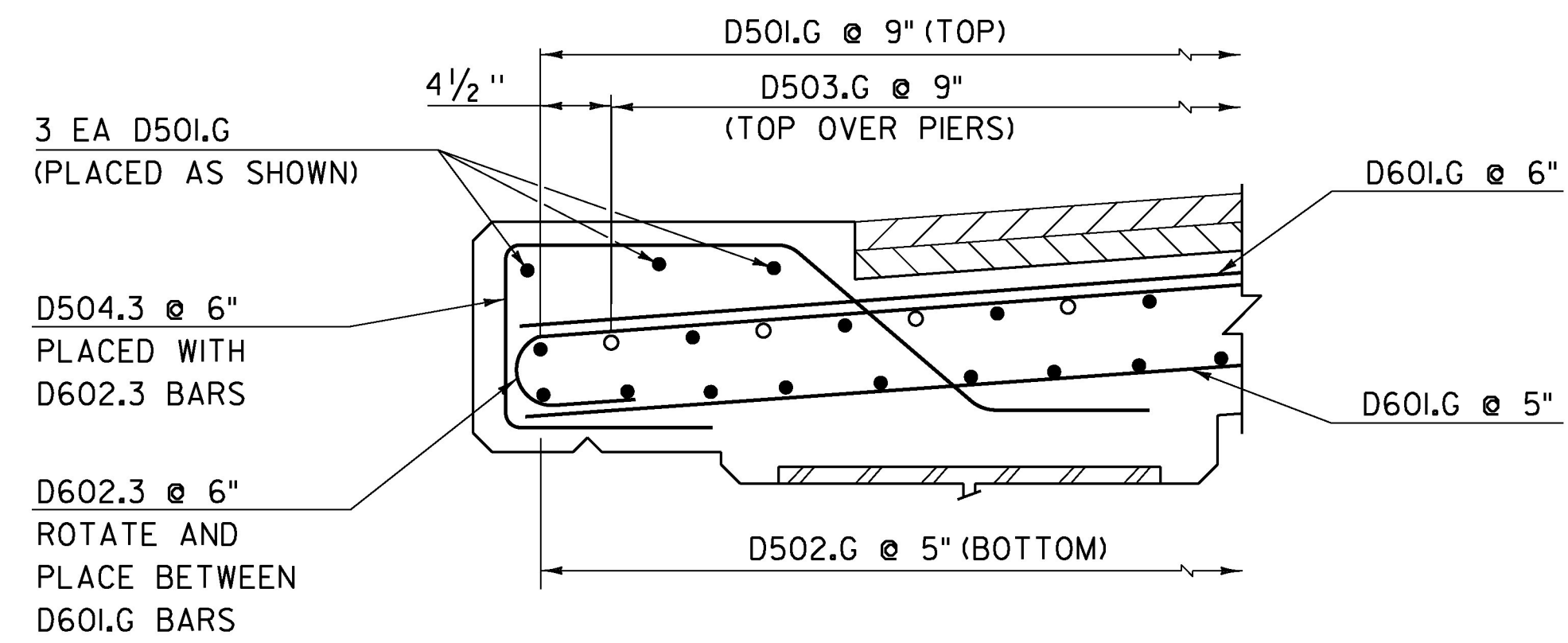
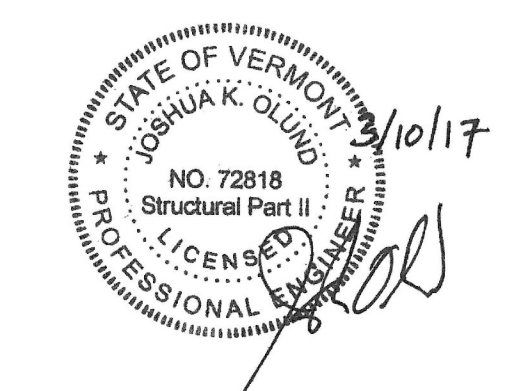


BRIDGE TYPICAL
SCALE: 3/4" = 1'-0"



FASCIA REBAR DETAIL
NOT TO SCALE



NOTE: ALL HORIZONTAL MEASUREMENTS ARE MEASURED RADIAL FROM THE CL OF THE ROADWAY.

PROJECT NAME:	MORRISTOWN
PROJECT NUMBER:	BRS 0240(3)S/STP HES 030-2(28)
FILE NAME:	s78f329sup.dgn
PROJECT LEADER:	C. CARLSON
DESIGNED BY:	D. MYERS
BRIDGE TYPICAL	
PLOT DATE:	29-MAR-2018
DRAWN BY:	G. ROKES
CHECKED BY:	J. OLUND
SHEET	80 OF 175

REVISION	DATE	BY	DESCRIPTION
△	05/15/2017	VAOT	CHANGED PAY ITEM

TYLIN INTERNATIONAL