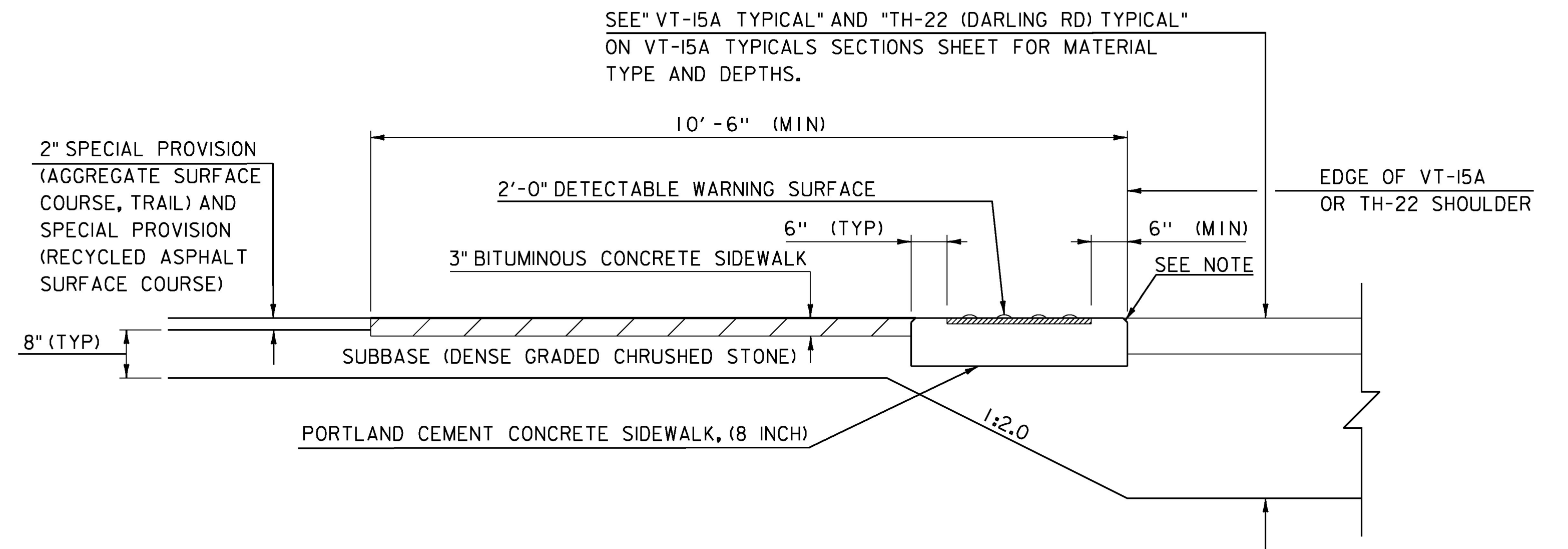


TRAIL CROSSING TYPICAL PLAN

SCALE  $\frac{3}{8}'' = 1'-0''$

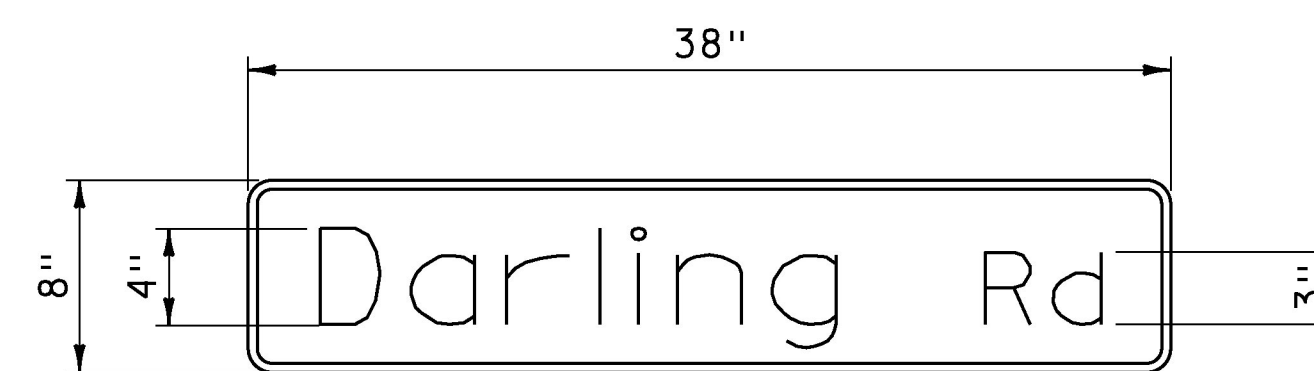
NOTE: SPECIAL PROVISION (AGGREGATE SURFACE COURSE, TRAIL) SHALL BE USED FOR THE FINISHED SURFACE MATERIAL ALONG THE TRAIL. IN AREAS WHERE A SIGNIFICANT GRADE EXIST FROM 54+50 TO 55+33.23 AND FROM 57+03.44 TO 58+25 SPECIAL PROVISION (RECYCLED ASPHALT SURFACE COURSE) WILL BE UTILIZED TO REDUCE WASHOUT OF THE MATERIAL. SEE TRAIL PROFILE SHEETS.



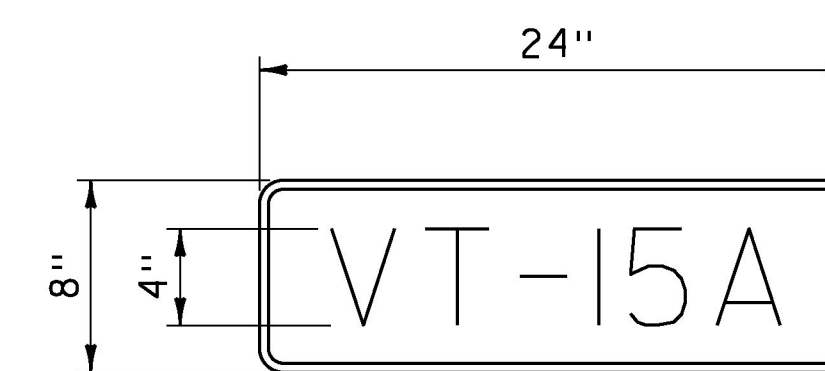
NOTE:  $\frac{3}{4}''$  CHAMFER TO CONCRETE EDGES AS SHOWN.

TRAIL CROSSING SECTION TYPICAL

SCALE  $\frac{3}{4}'' = 1'-0''$



MUTCD D3-1  
WHITE WITH GREEN BACKGROUND  
NTS



MUTCD ALL CAPS D3-1  
NTS

PROJECT NAME:	MORRISTOWN
PROJECT NUMBER:	BRS 0240(3)S/STP HES 030-2(28)
FILE NAME:	s78f329trail.dgn
PROJECT LEADER:	C. CARLSON
DESIGNED BY:	C. BURRALL
TRAIL CROSSING TYPICAL	
PLOT DATE:	12-APR-2017
DRAWN BY:	G. ROKES
CHECKED BY:	J. LACROIX
SHEET	6 OF 175