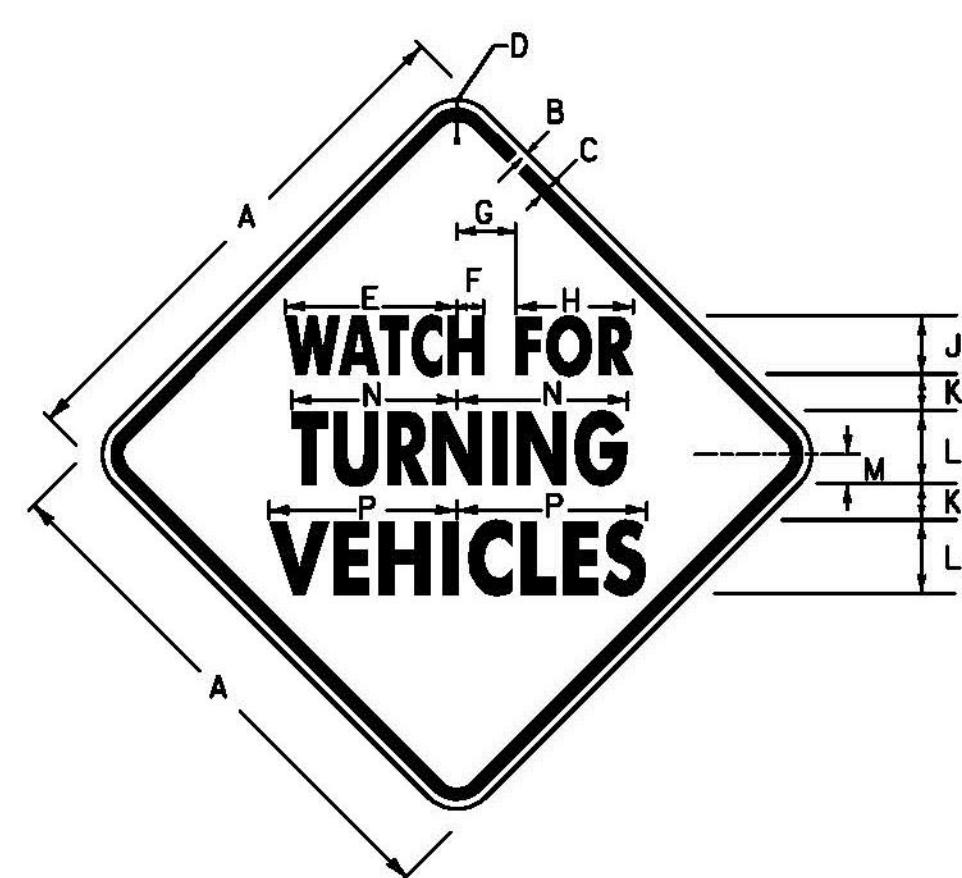


VW-054

DRIVE
LEFT

SIGN	DIMENSIONS (INCHES)											
	A	B	C	D	E	F	G	H	J	K	L	M
MIN	24	3/8	5/8	1/2	7/16	7/8	6 3/16	4C	1 3/16	2	6 3/16	4 7/8
STD	30	1/2	3/4	1 1/8	9/8	9 1/2	7 1/16	5C	1 1/2	2	7 3/4	6 1/8
EXPWY.	36	5/8	7/8	2 1/4	1 1/16	11 1/16	9 3/8	6C	1 1/2	2 3/8	9 3/8	7 3/8
SPECIAL	48	3/4	1 1/4	3	1 5/8	15 1/4	12 3/8	8C	2 3/8	3 3/8	12 3/8	9 3/8

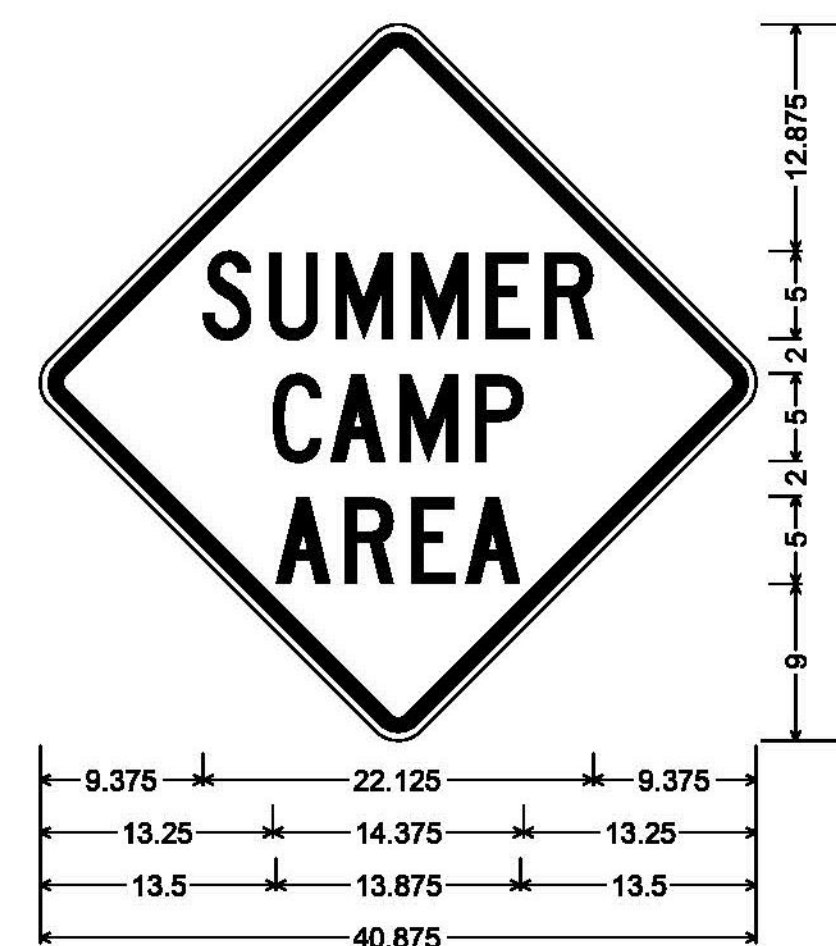
COLORS: BLACK TEXT ON YELL (REFL.) BACKGROUND



SIGN	DIMENSIONS (INCHES)														
	A	B	C	D	E	F	G	H	J	K	L	M	N	P	
MIN	30	1/2	3/4	1 7/8	9/8	1 1/2	3 3/8	6 3/8	4B	2	5B	2	9/4	10 1/4	
STD	36	5/8	7/8	2 1/4	1 3/4	1 7/8	4	8	4C	2 1/2	5C	2	11 1/2	12 7/8	
SPECIAL	48	3/4	1 1/4	3	1 3/4	2 3/8	5 3/8	10	5C	3 3/8	8B	2 3/8	14 3/8	16 3/8	

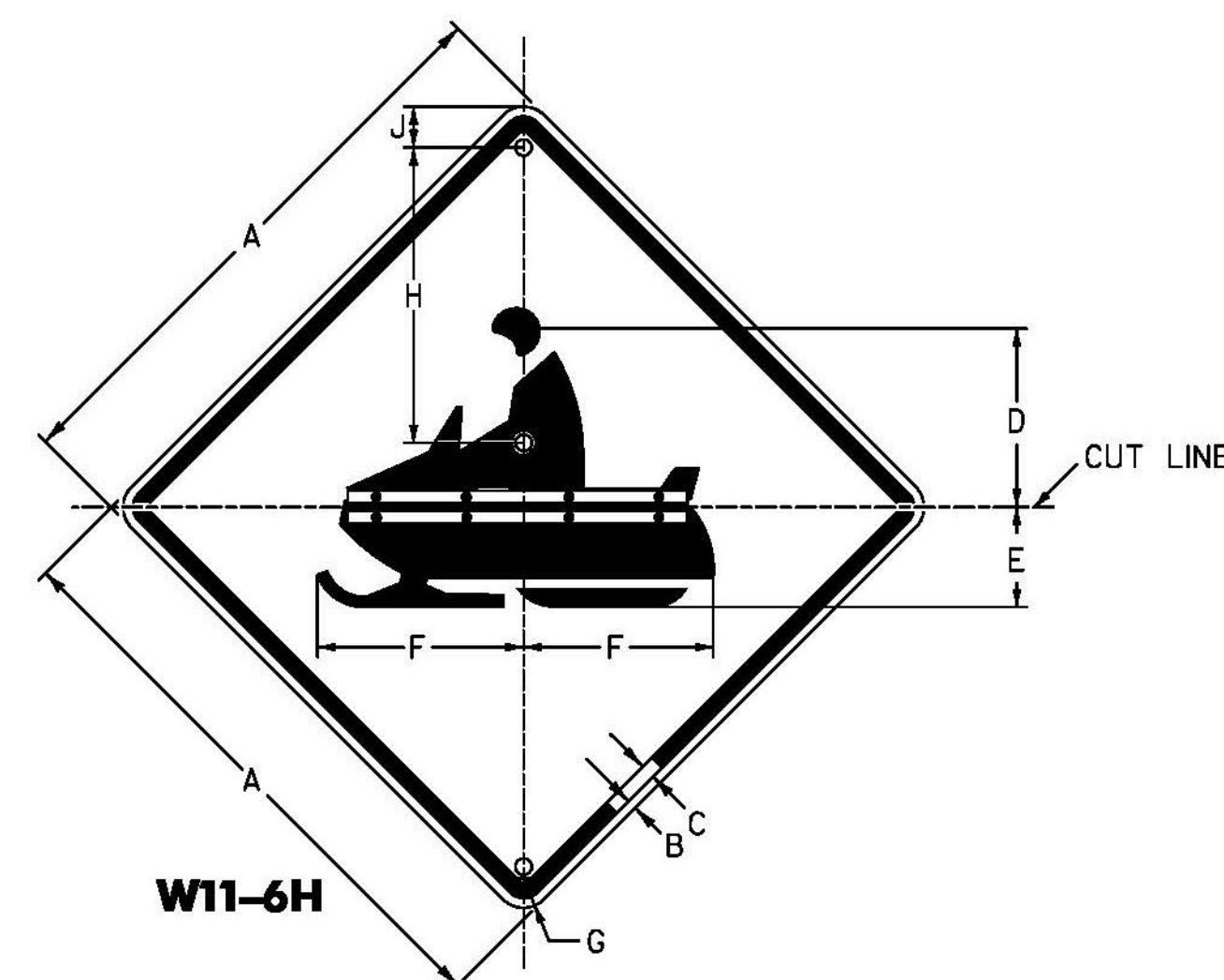
COLORS: BLACK TEXT ON YELL (REFL.) BACKGROUND

VW-205



30.000" across sides 1.875" Radius, 0.750" Border, 0.500" Indent, Black on Yellow;
[SUMMER] C; [CAMP] C; [AREA] C;

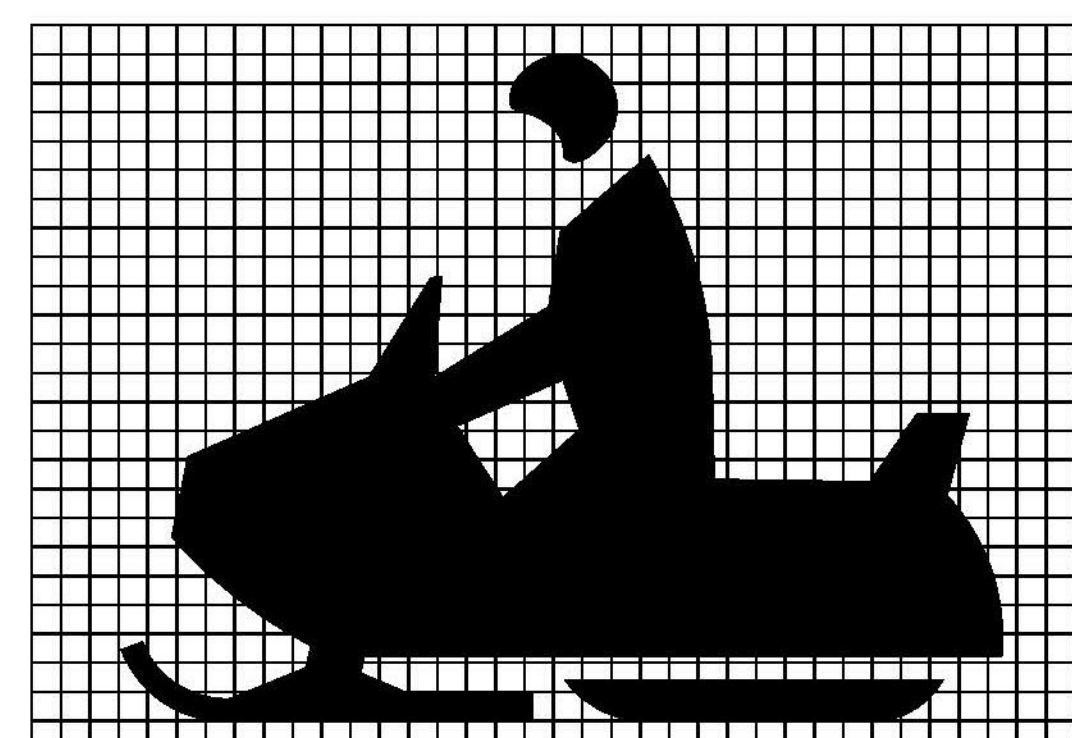
VW-219



W11-6H

SIGN	DIMENSIONS (INCHES)									
	A	B	C	D	E	F	G	H	J	
STD.	30	1/2	3/4	1 1/16	5 3/16	12 1/16	1 7/8	14	2 1/2	
SPECIAL	36	5/8	7/8	1 1/8	6 3/8	15 1/4	2 1/4	19	2 1/2	

COLORS: BLACK TEXT ON YELL (REFL.) BACKGROUND



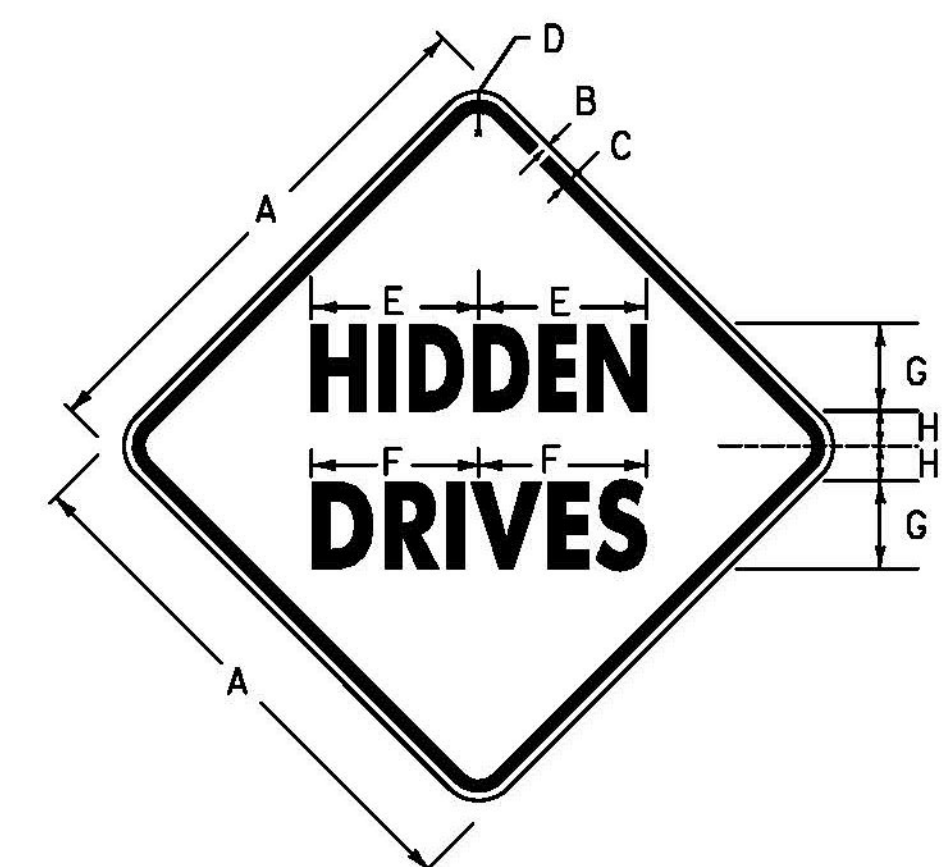
ALL DIMENSIONS SHOWN IN INCHES, EXCEPT WHERE NOTED.
NOT TO SCALE

PROJECT NAME: BARTON-DERBY
PROJECT NUMBER: STPG SIGN(46)

FILE NAME: z12c532_SD02.dgn
PROJECT LEADER: D. BRYANT
DESIGNED BY: B. TOOTHAKER
SIGN DETAILS 7

PLOT DATE: 11/9/2014
DRAWN BY: J. BLANCHARD
CHECKED BY: K. KERN
SHEET 10 OF 100

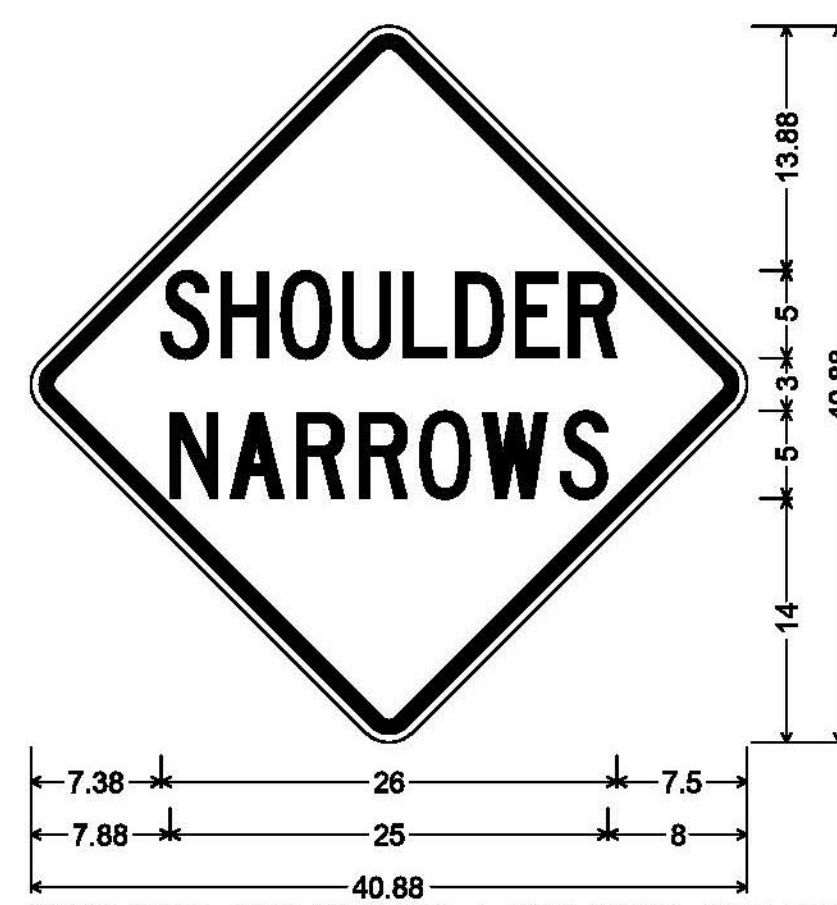
TYLIN INTERNATIONAL



VW-060

SIGN	DIMENSIONS (INCHES)							
	A	B	C	D	E	F	G	H
MIN	24	3/8	5/8	1 1/2	7 1/16	7 3/8	4C	2
STD	30	1/2	3/4	1 7/8	9 3/8	9 1/2	5C	2
EXPWY.	36	5/8	7/8	2 1/4	11 1/16	11 1/8	6C	2 3/8
SPECIAL	48	3/4	1 1/4	3	15 3/8	15 1/4	8C	3 3/8

COLORS: BLACK TEXT ON YELL (REFL.) BACKGROUND



VW-619

30.00" across sides 1.88" Radius, 0.75" Border, 0.50" Indent, Black on Yellow;
[SHOULDER] C specified length;
[NARROWS] C specified length;

