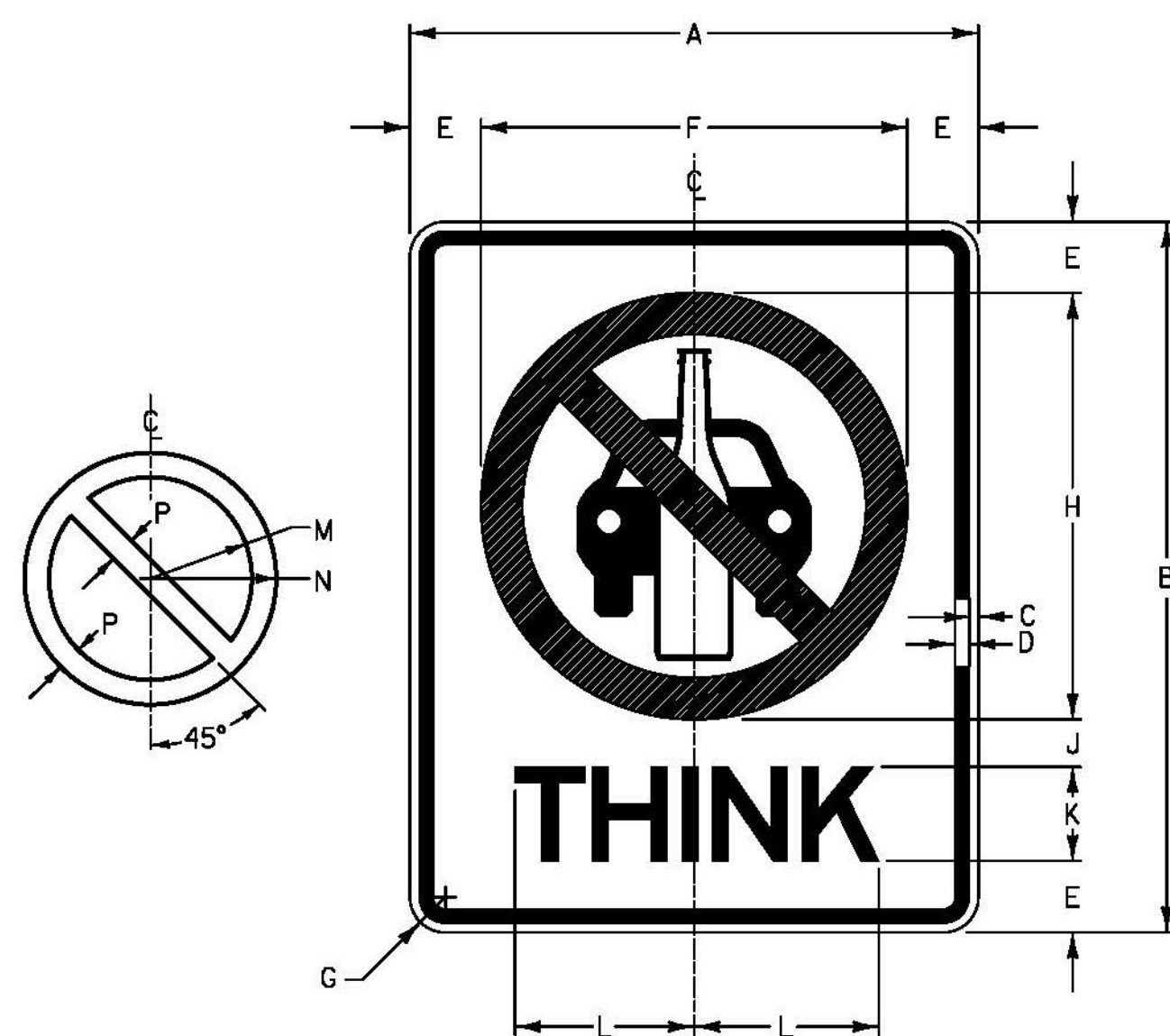


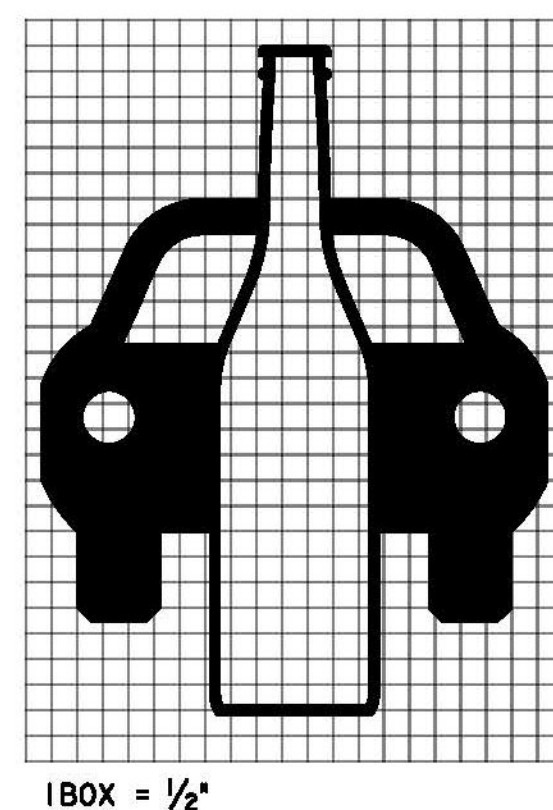
* REDUCE SPACING 50 %
 LINE 3 ALTERNATE - 16,000
 BLACK TEXT ON ON WHITE (REFL.) BACKGROUND
VR-017



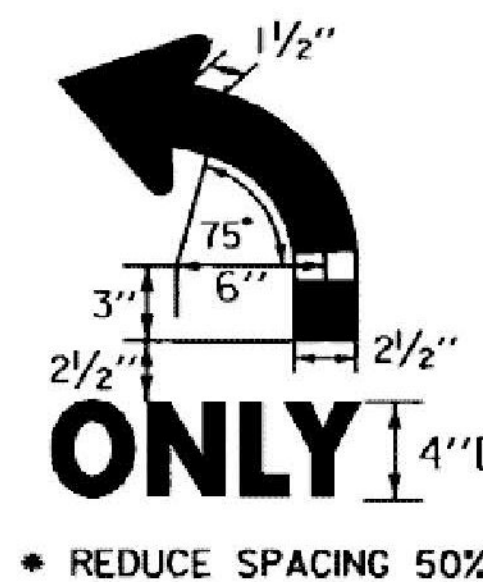
| SIGN | DIMENSIONS (INCHES) | | | | | | | | | | | | | |
|------|---------------------|----|-----|-----|---|----|-----|----|---|----|-------|-------|---|-------|
| | A | B | C | D | E | F | G | H | J | K | L | M | N | P |
| STD. | 24 | 30 | 3/8 | 3/8 | 3 | 18 | 1/2 | 18 | 2 | 4E | 7 3/8 | 7 1/4 | 9 | 1 3/4 |

COLORS
 TEXT - BLACK (NON-REFL.)
 CAR & BOTTLE SYMBOL - BLACK (NON-REFL.)
 PROHIBITED SYMBOL - RED (NON-REFL.)
 BACKGROUND - WHITE (REFL.)

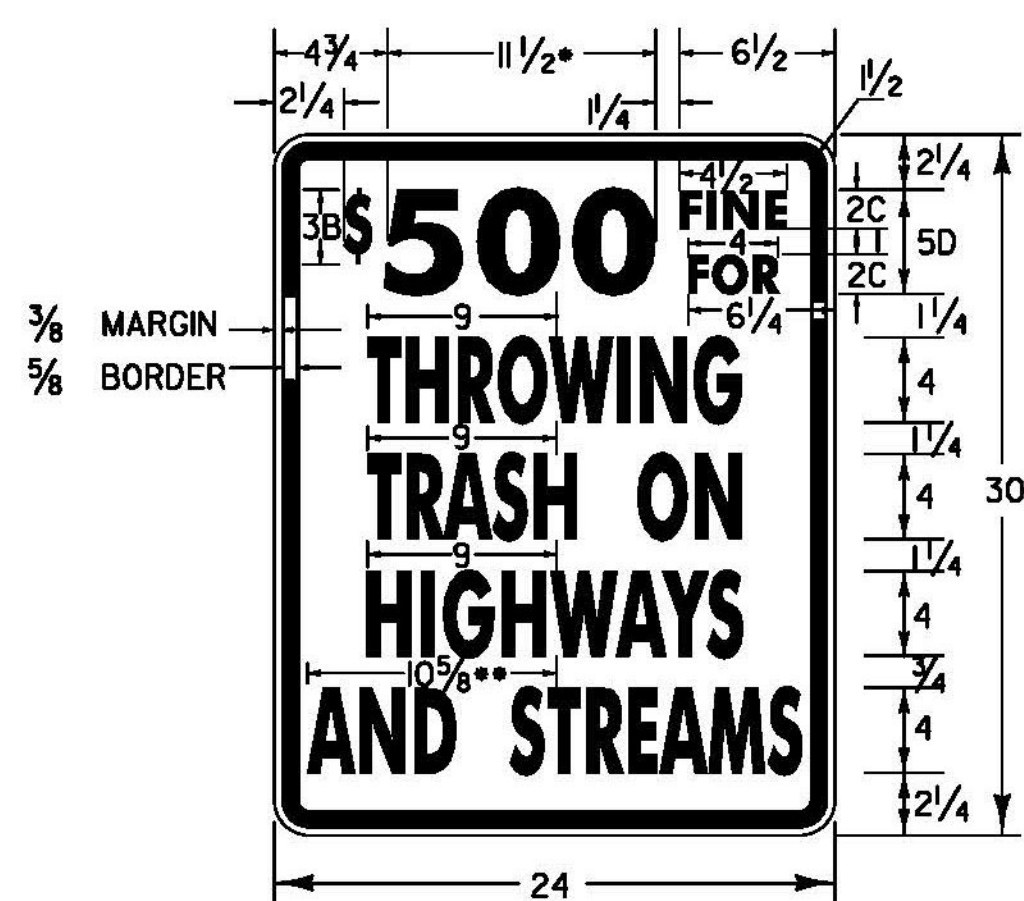
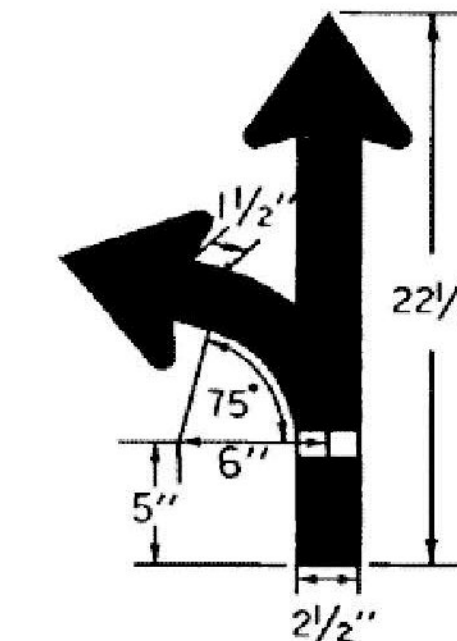
VR-072



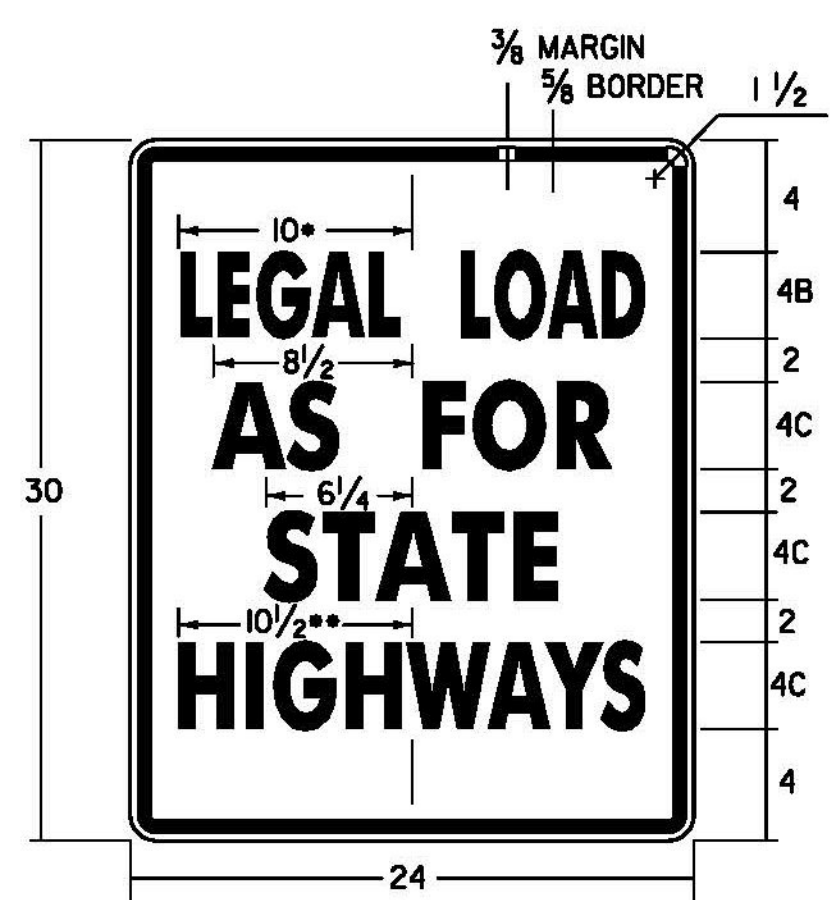
180X = 1/2"



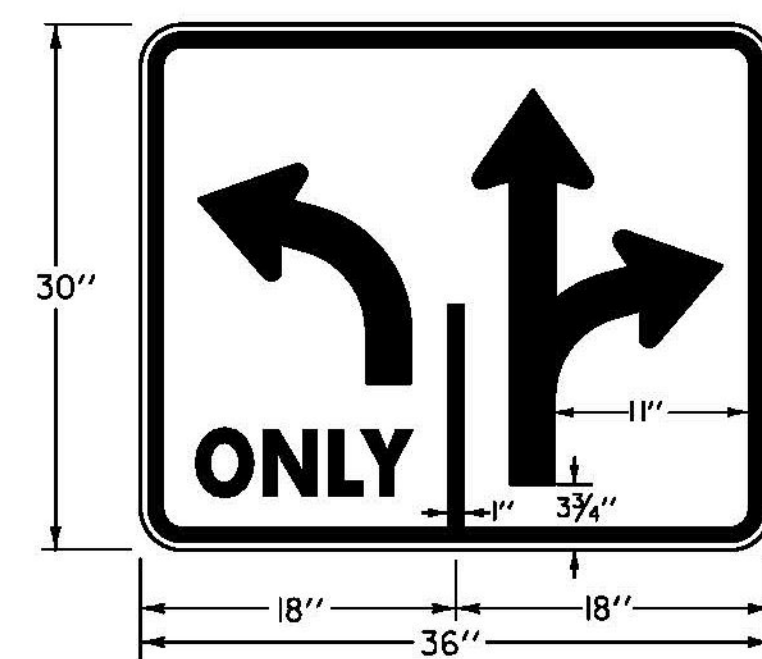
* REDUCE SPACING 50%



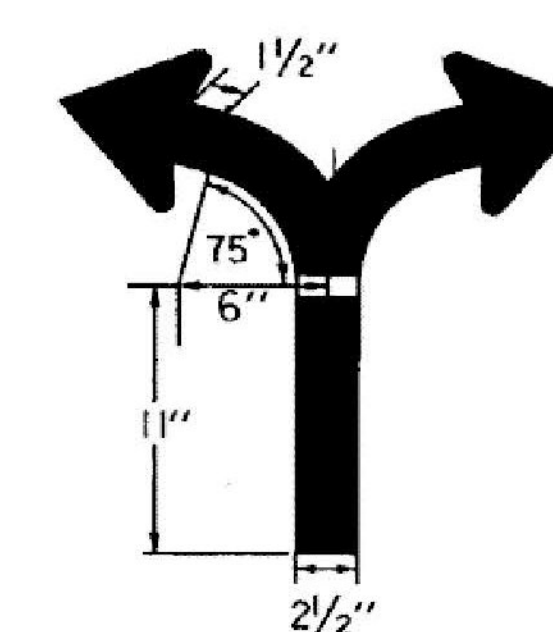
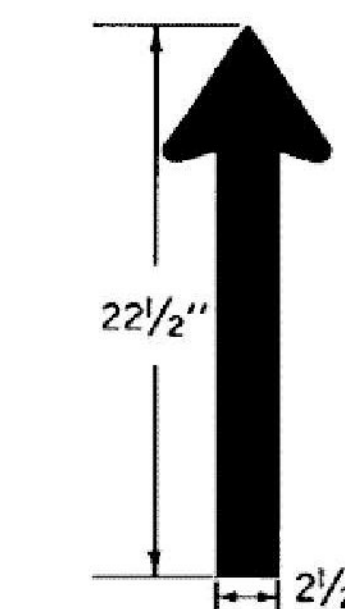
* REDUCE SPACING 40%
 ** REDUCE SPACING 60%
 BLACK TEXT ON ON WHITE (REFL.) BACKGROUND
VR-023b



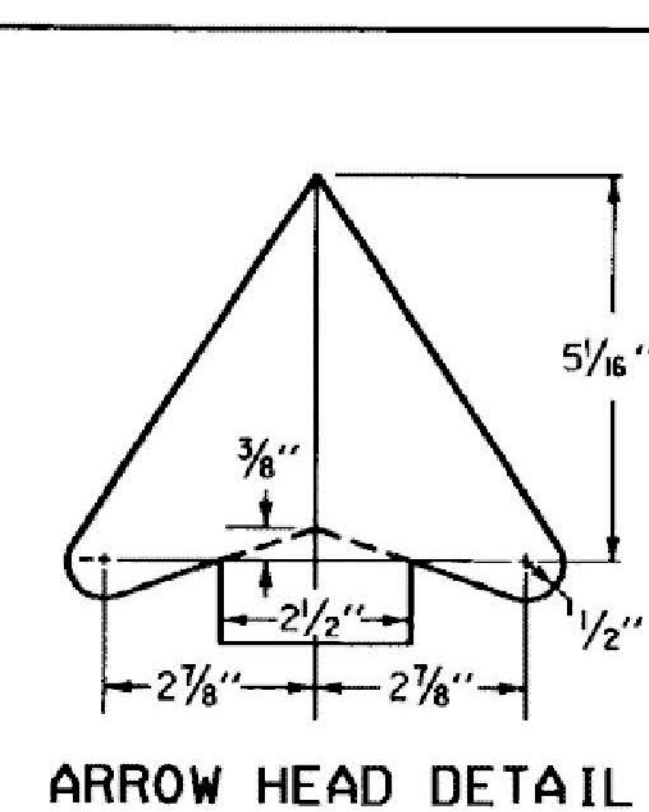
* REDUCE SPACING 50 %
 ** REDUCE SPACING 38 %
 BLACK TEXT ON ON WHITE (REFL.) BACKGROUND
VR-079



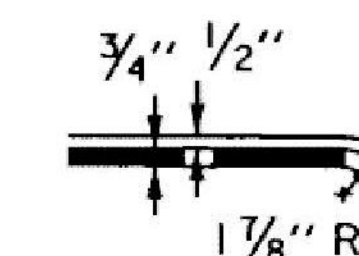
BLACK TEXT ON ON WHITE (REFL.) BACKGROUND
VR-922



SYMBOL DETAILS



ARROW HEAD DETAIL



BORDER/MARGIN DETAIL

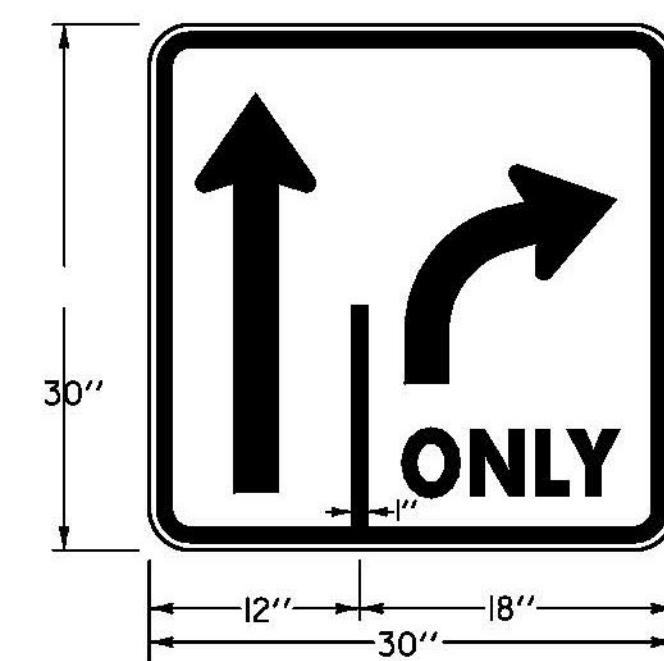


VR-039

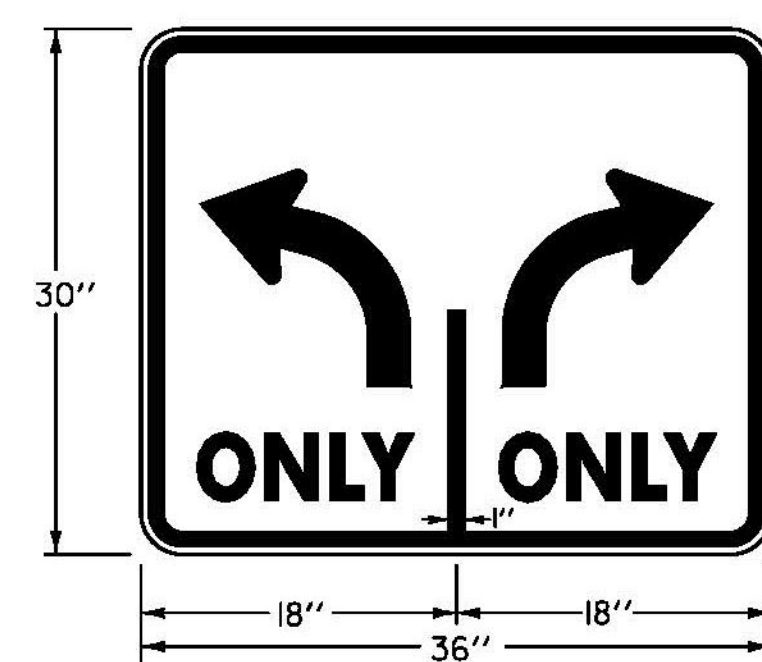


VR-038

BLACK TEXT ON ON WHITE (REFL.) BACKGROUND



BLACK TEXT ON ON WHITE (REFL.) BACKGROUND
VR-921R
 (VR-921L OPPOSITE)



BLACK TEXT ON ON WHITE (REFL.) BACKGROUND
VR-925

ALL DIMENSIONS SHOWN IN INCHES, EXCEPT WHERE NOTED.
 NOT TO SCALE

PROJECT NAME: BARTON-DERBY
 PROJECT NUMBER: STPG SIGN(46)

TYLIN INTERNATIONAL

FILE NAME: z12c532_SD02.dgn
 PROJECT LEADER: D. BRYANT
 DESIGNED BY: B. TOOTHAKER
 SIGN DETAILS 6

PLOT DATE: 11/7/2014
 DRAWN BY: J. BLANCHARD
 CHECKED BY: K. KERN
 SHEET 9 OF 100