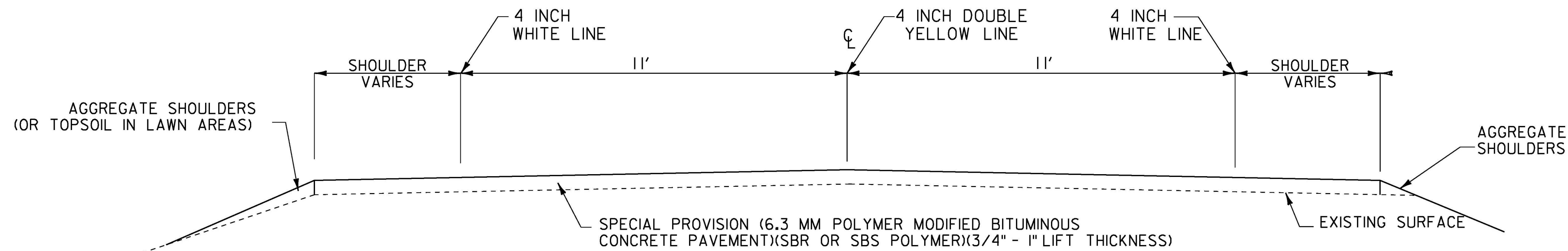


TYPICAL SECTION -ALTERNATE A
US RTE. 2
ALBURG MM 6.263 - COLCHESTER MM 2.192



TYPICAL SECTION -ALTERNATE B
US RTE. 2
ALBURG MM 6.263 - COLCHESTER MM 2.192

TOWN	MM	MM	LANE TYPICAL	TOWN	MM	MM	LANE TYPICAL
ALBURGH	6.263	11.732	3-11-11-3	SOUTH HERO	0.000	0.749	3-12-12-3
NORTH HERO	0.000	0.065	5-11-11-5	SOUTH HERO	0.749	0.767	TAPER
NORTH HERO	0.065	0.222	5-11-11-5	SOUTH HERO	0.767	1.610	4-12-12-4
NORTH HERO	0.222	2.684	5-11-11-5	SOUTH HERO	1.610	1.663	TAPER
NORTH HERO	2.684	2.694	TAPER	SOUTH HERO	1.663	3.041	10-12-12-10
NORTH HERO	2.694	5.071	3-11-11-3	SOUTH HERO	3.041	5.783	SEE LAYOUTS
NORTH HERO	5.071	5.081	TAPER	MILTON	0.000	2.436	8-12-12-8
NORTH HERO	5.081	5.592	5-11-11-5	MILTON	2.436	2.485	TAPER
NORTH HERO	5.592	5.869	5-11-11-5	MILTON	2.486	3.438	10-12-12-10
NORTH HERO	5.869	5.880	TAPER	MILTON	3.438	3.451	TAPER
NORTH HERO	5.880	9.072	3-11-11-3	MILTON	3.451	3.645	10-12-12-12
NORTH HERO	9.072	9.114	TAPER	MILTON	3.645	3.685	BR 17
NORTH HERO	9.114	9.356	5-11-11-5	COLCHESTER	0.000	0.038	BR 17
GRAND ISLE	0	0.001	4-11-11-4	COLCHESTER	0.038	1.677	10-12-12-10
GRAND ISLE	0.001	0.029	DRAWBRIDGE	COLCHESTER	1.677	2.192	SEE LAYOUTS
GRAND ISLE	0.029	0.040	4-11-11-4				
GRAND ISLE	0.046	0.311	6-11-11-6				
GRAND ISLE	0.311	0.329	TAPER				
GRAND ISLE	0.329	3.771	3-11-11-3				
GRAND ISLE	3.771	3.790	TAPER				
GRAND ISLE	3.790	6.255	4-11-11-4				

NOT TO SCALE

TYPICAL SECTIONS	PROJECT NAME:	ALBURGH-COLCHESTER
	PROJECT NUMBER:	STP SURF (36)
	FILE NAME: i2b322.dgn	PLOT DATE: 25-APR-2013
	PROJECT LEADER: FOWLER	DRAWN BY: PVT. MGT.
	DESIGNED BY: PVT. MGT.	CHECKED BY: PVT. MGT.
	IPARM FILE NAME: i2b322+yp.i	SHEET 28 OF 71