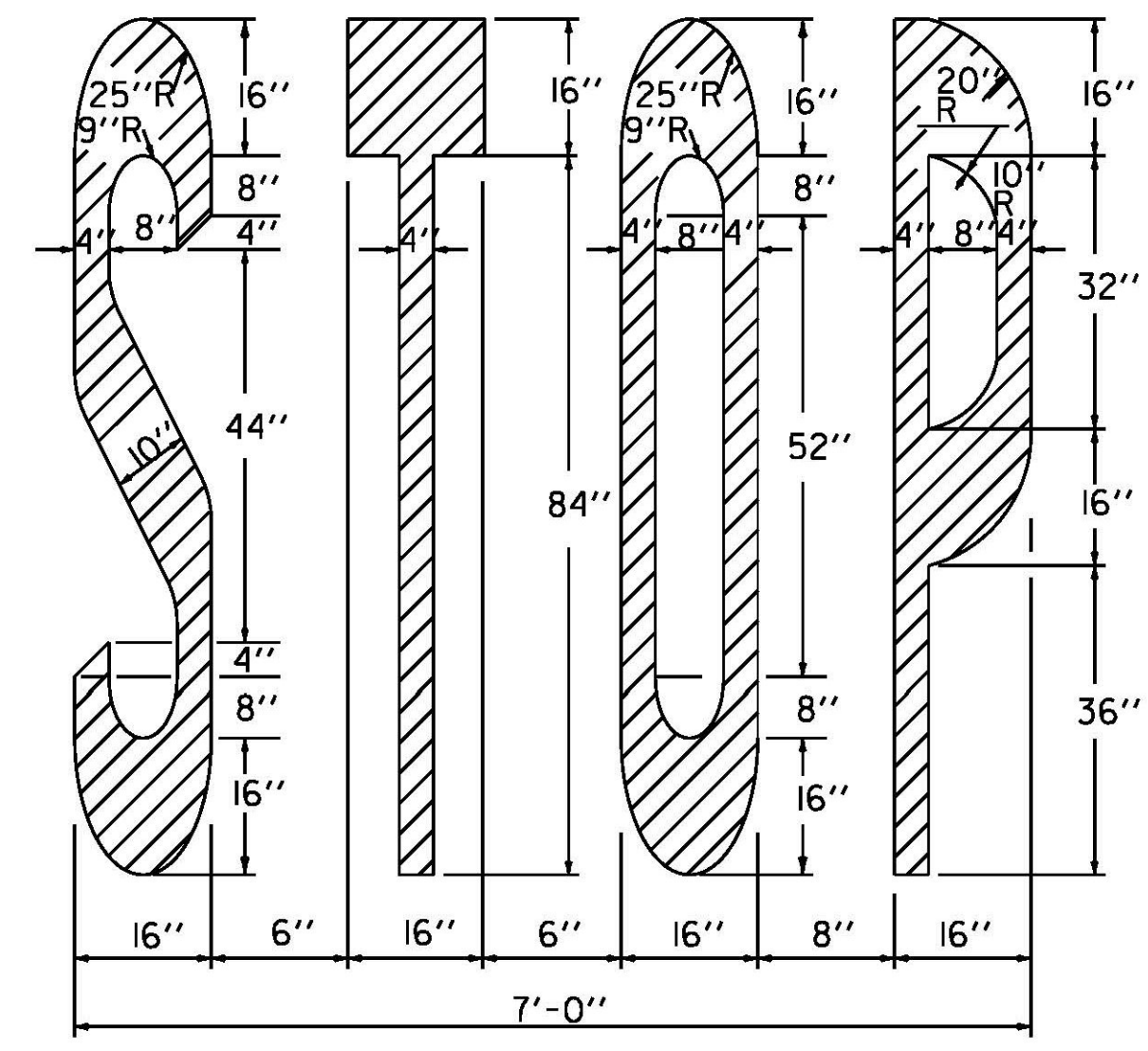
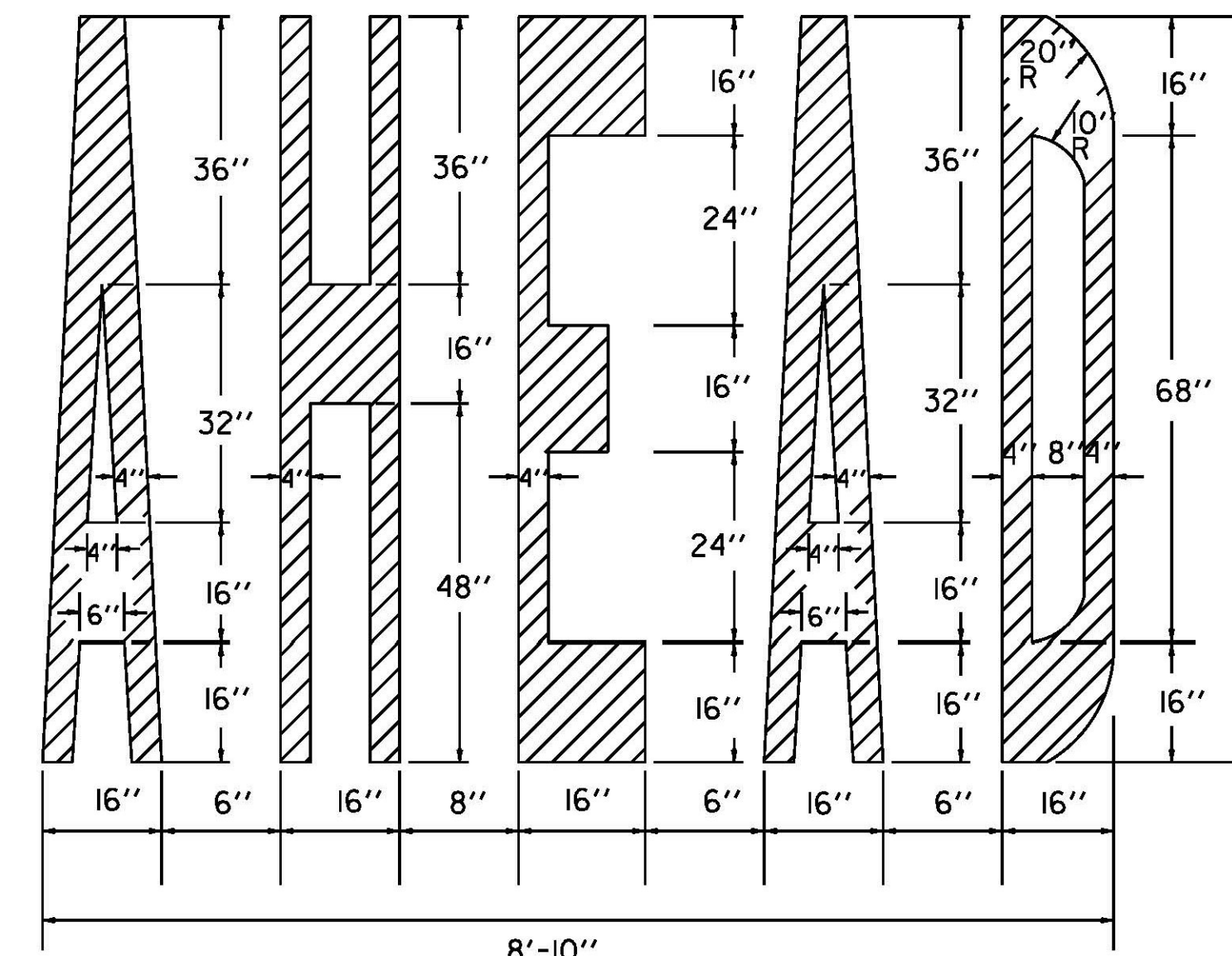
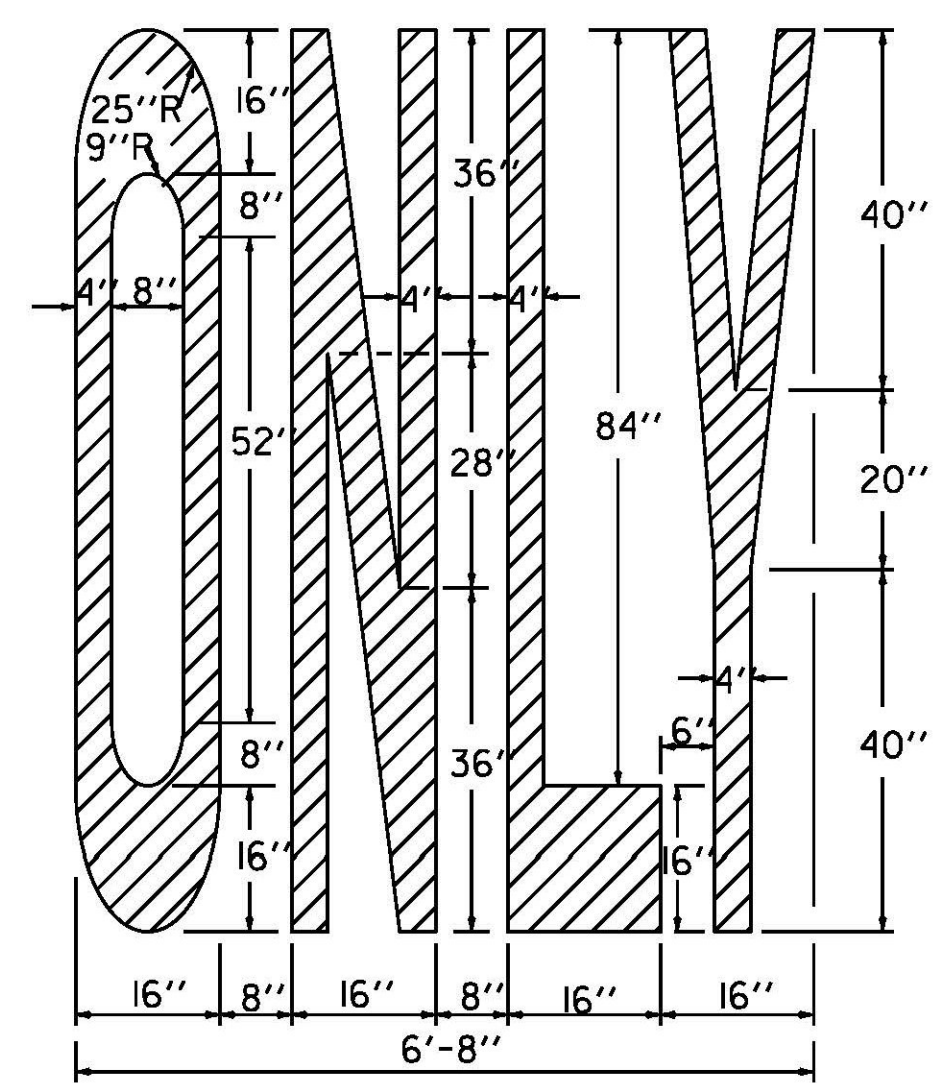
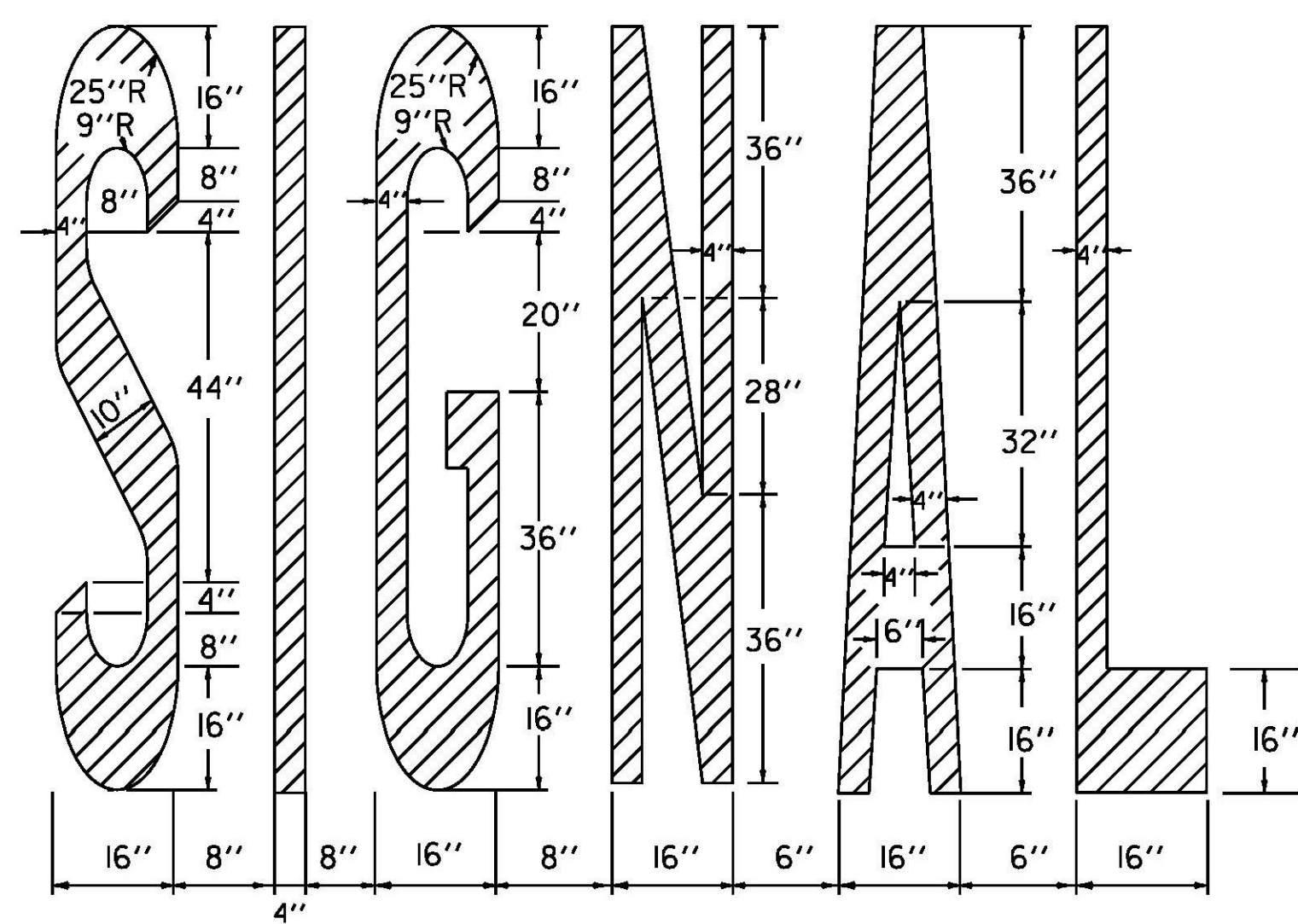
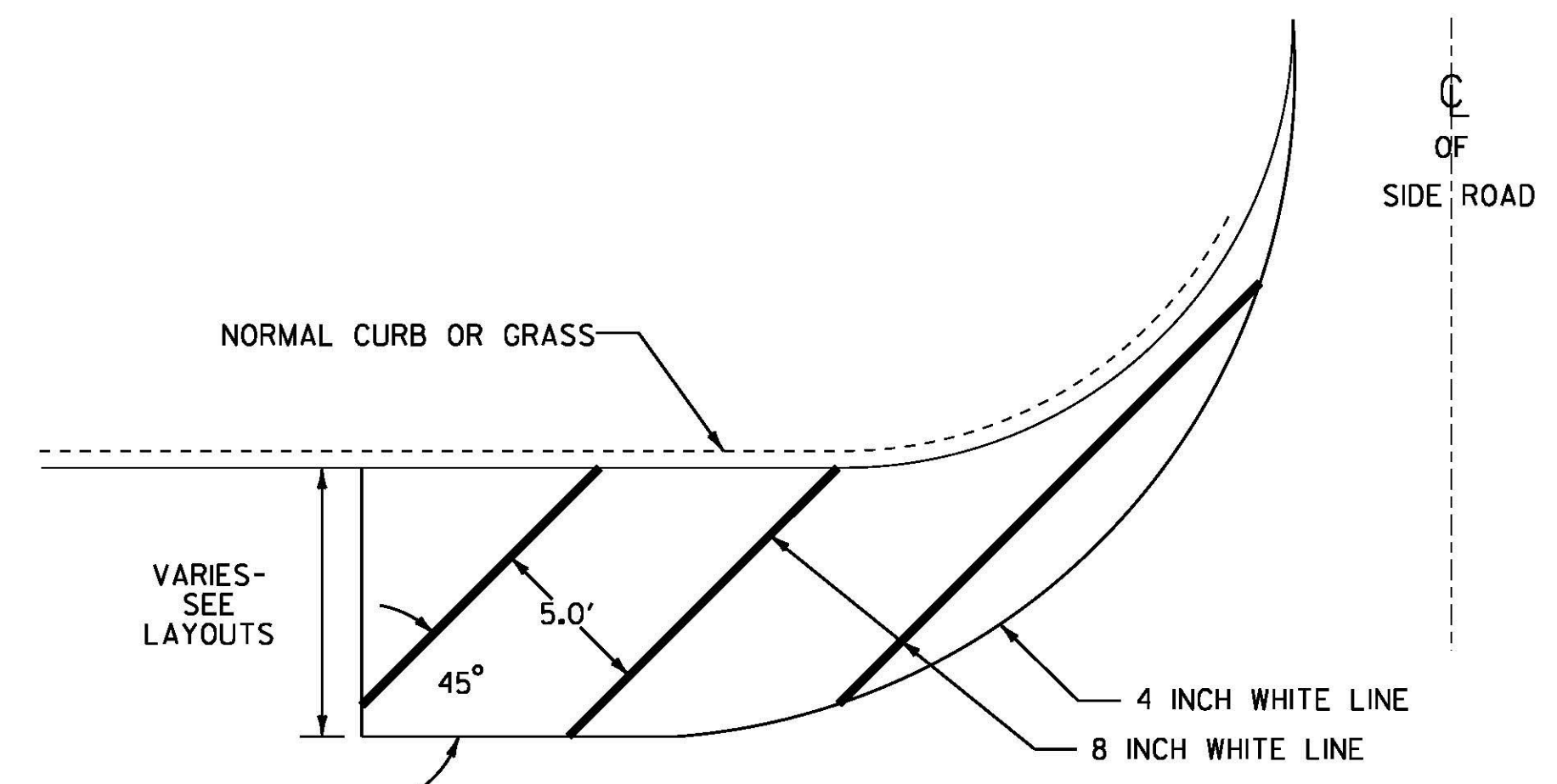


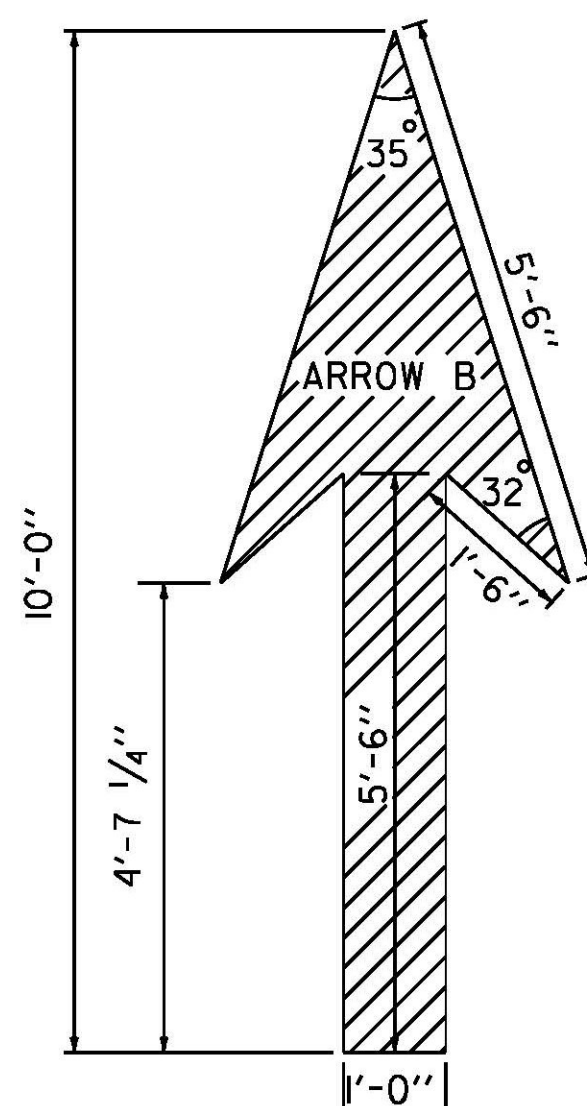
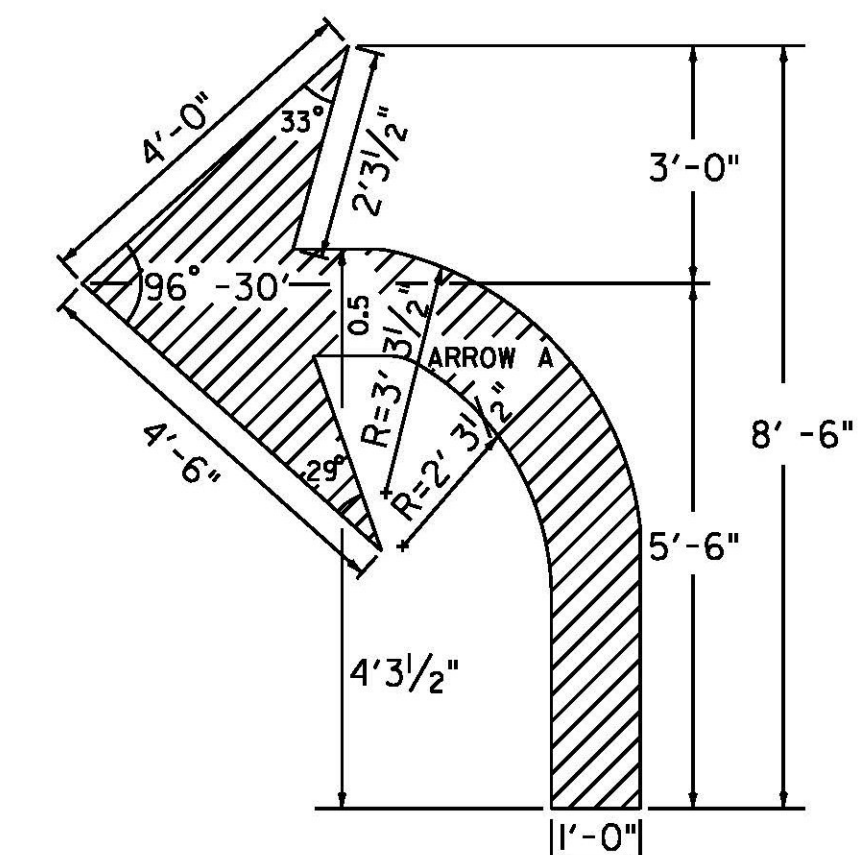
* (4''-8'') - ADJUST TO AVAILABLE PAVEMENT WIDTH



PAVEMENT MARKING DETAILS



**PAVEMENT MARKING DETAIL
(NO PARKING ZONES)**
NOT TO SCALE



ARROW DETAILS

**COMPOSITE
PAVEMENT
MARKING
DETAILS
SHEET 1**

NOT TO SCALE

PROJECT NAME: ALBURGH - COLCHESTER	PLOT DATE: 25-APR-2013
PROJECT NUMBER: NH SURF(35)/STP SURF(36)	DRAWN BY: PVT. MGT.
FILE NAME: I2b322.dgn	CHECKED BY: PVT. MGT.
PROJECT LEADER: M. FOWLER	SHEET 7 OF 70
DESIGNED BY: PVT. MGT.	
I2b322md09.1	