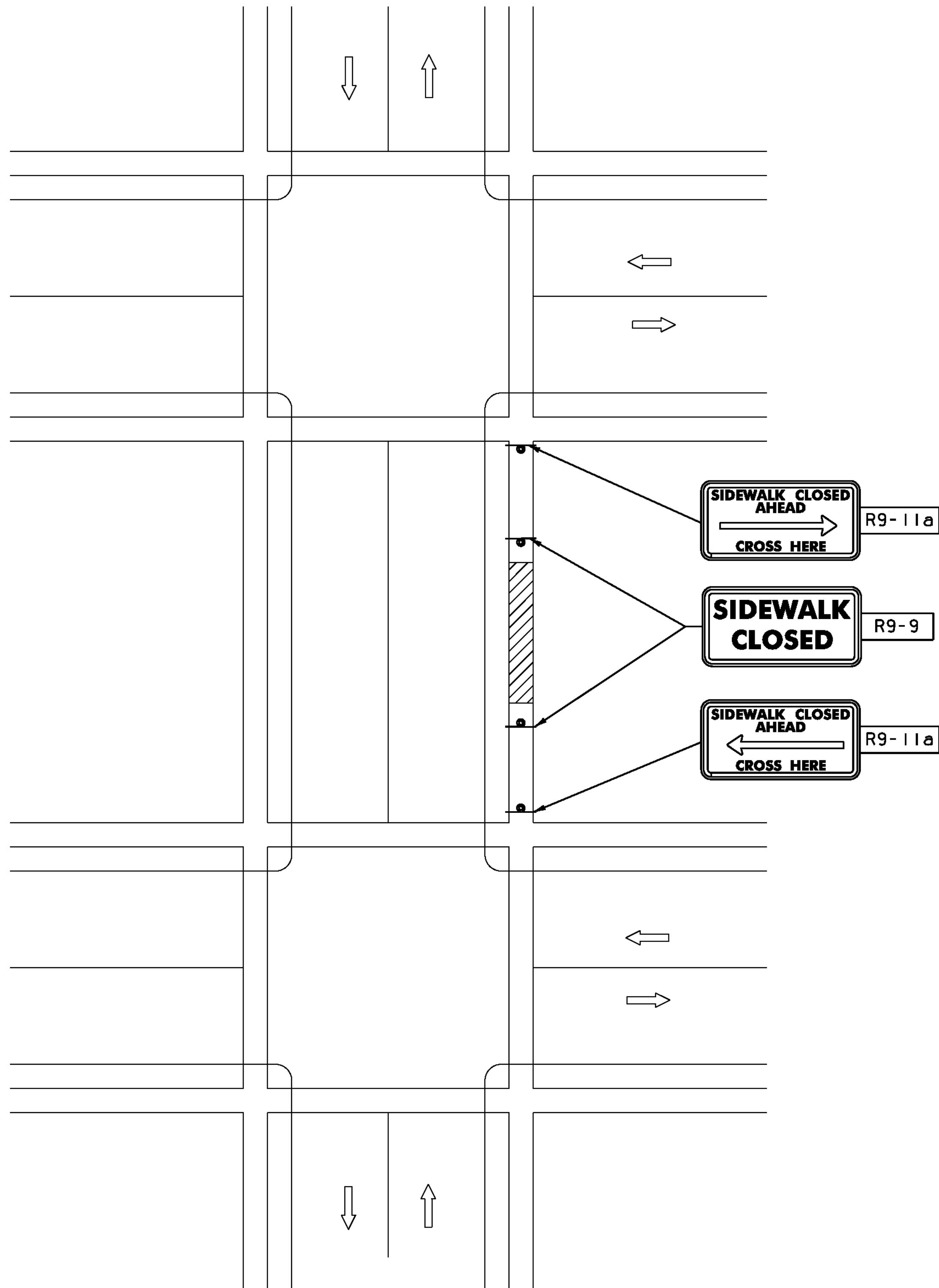
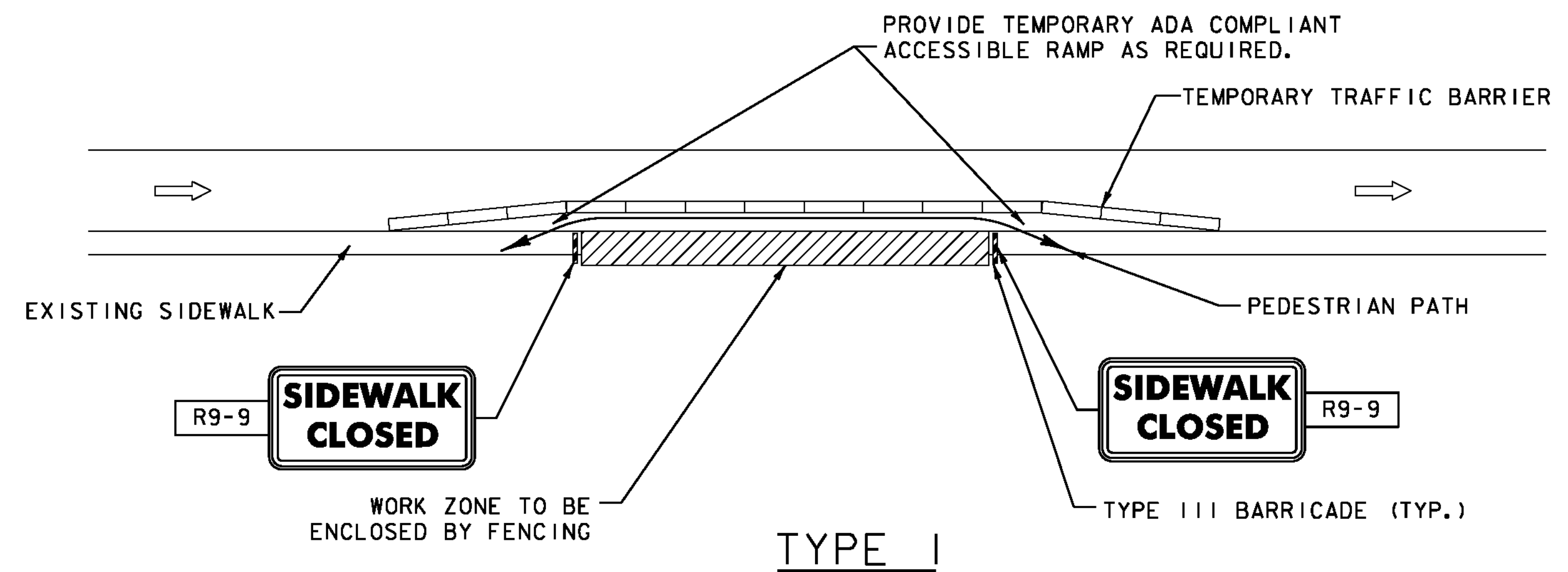


NOTE:  
1. REFER TO SHEET 47 OF 53 FOR PEDESTRIAN TEMPORARY TRAFFIC CONTROL NOTES.

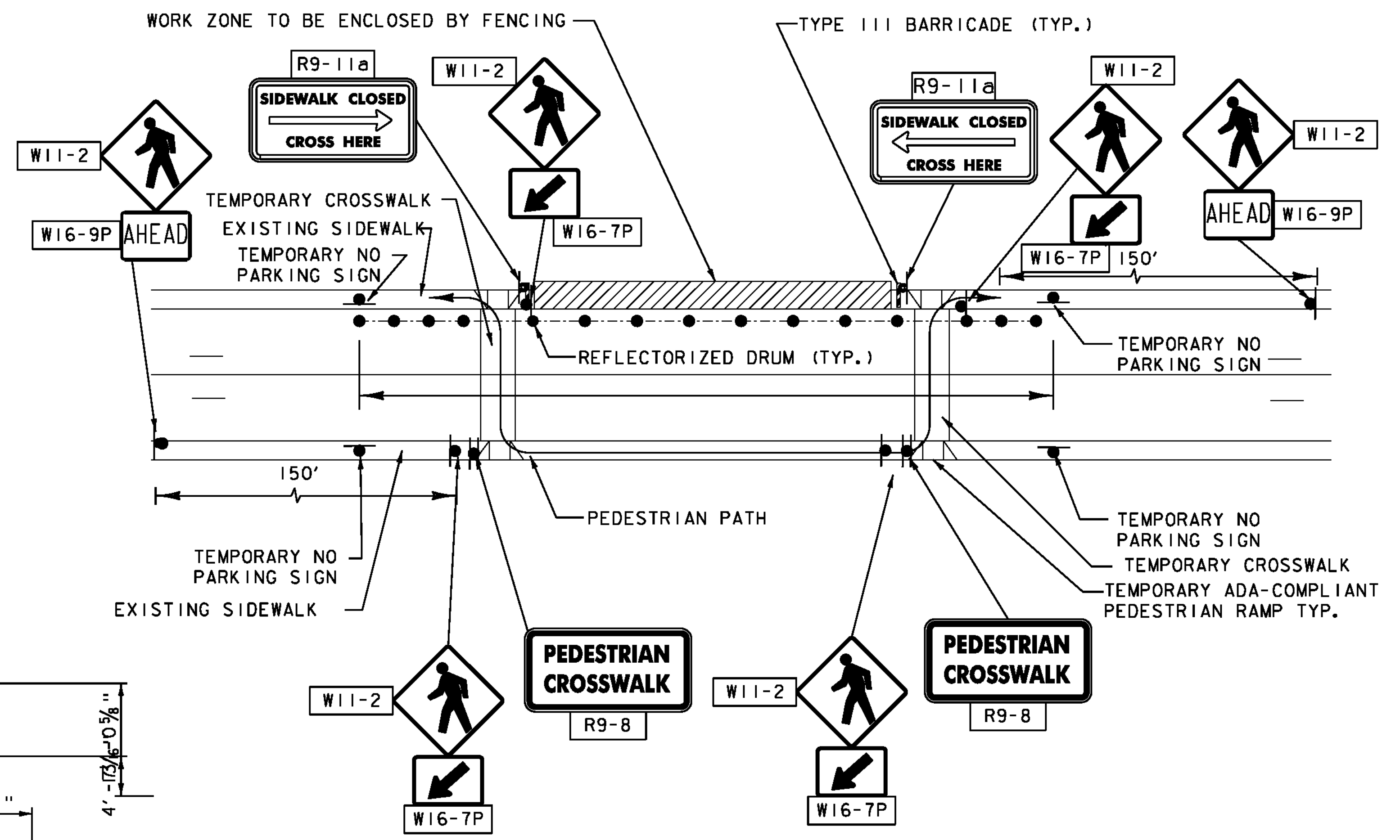


TYPICAL CONSTRUCTION PATTERN AND CONSTRUCTION SIGNING FOR PEDESTRIAN DETOUR AT MARKED CROSSWALKS

NOT TO SCALE



TYPE I



TYPE II

TYPICAL CONSTRUCTION PATTERN AND CONSTRUCTION SIGNING FOR SIDEWALK CLOSURE & BYPASS

NOT TO SCALE

PROJECT NAME: STATEWIDE  
PROJECT NUMBER: STP SDWK(II)

FILE NAME: z11f16bdr\_tmp.dgn PLOT DATE: 10/9/2013  
PROJECT LEADER: E. ATKINS DRAWN BY: S. MUSTO  
DESIGNED BY: T. BIGELOW CHECKED BY: E. ATKINS  
TEMP. MAINTENANCE OF PED. TRAFFIC DETAILS SHEET 48 OF 53