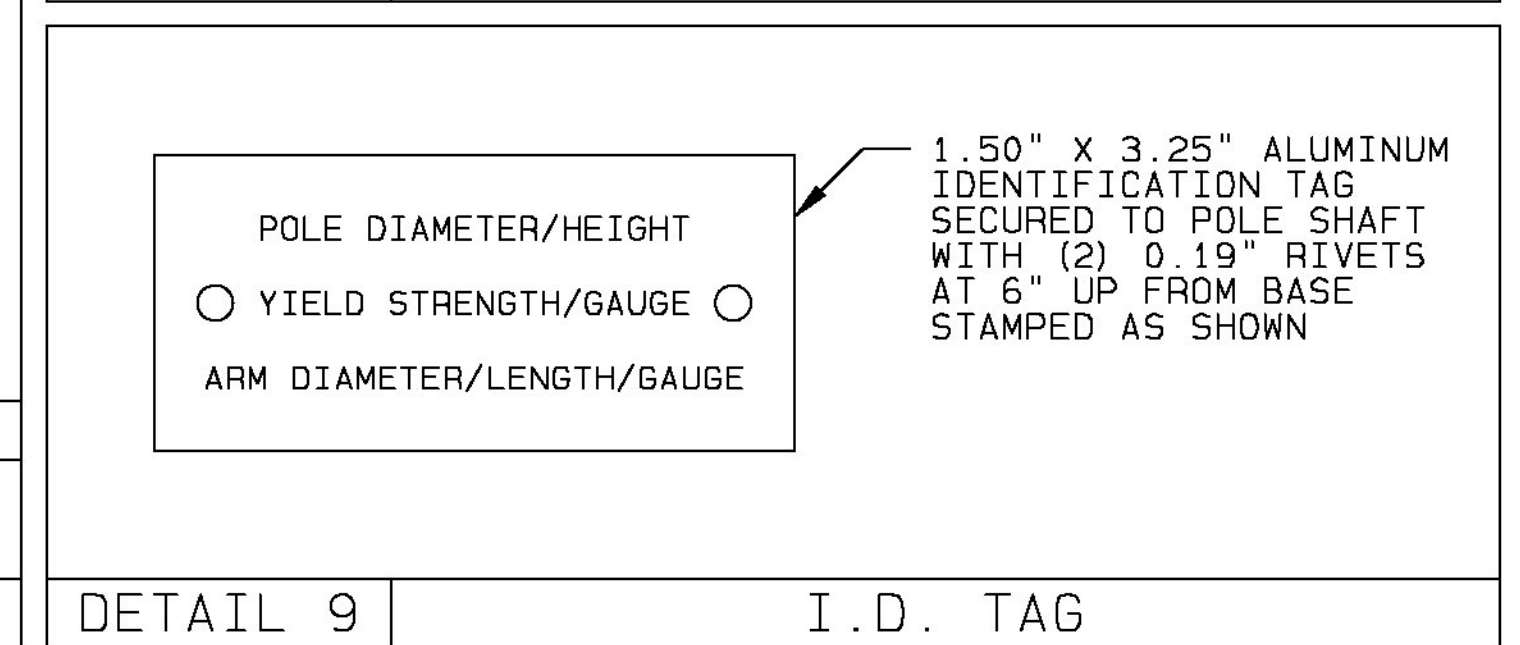
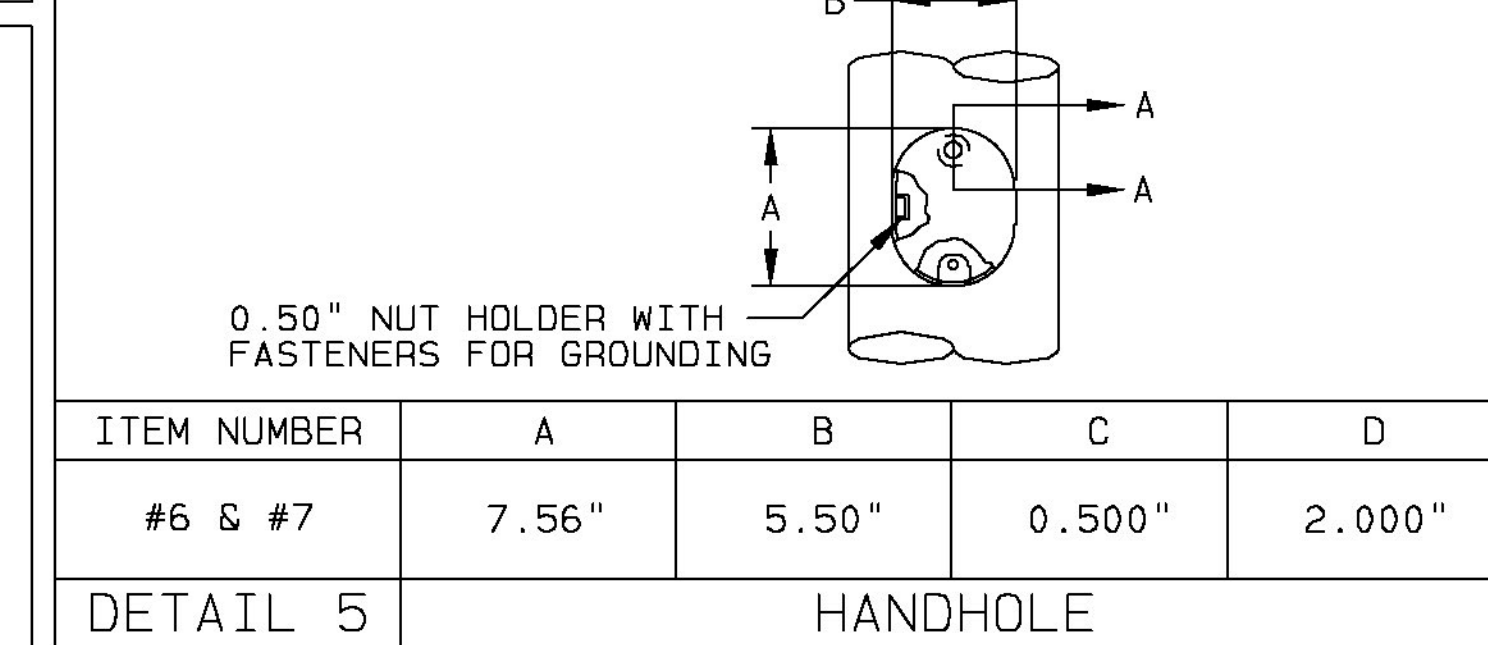
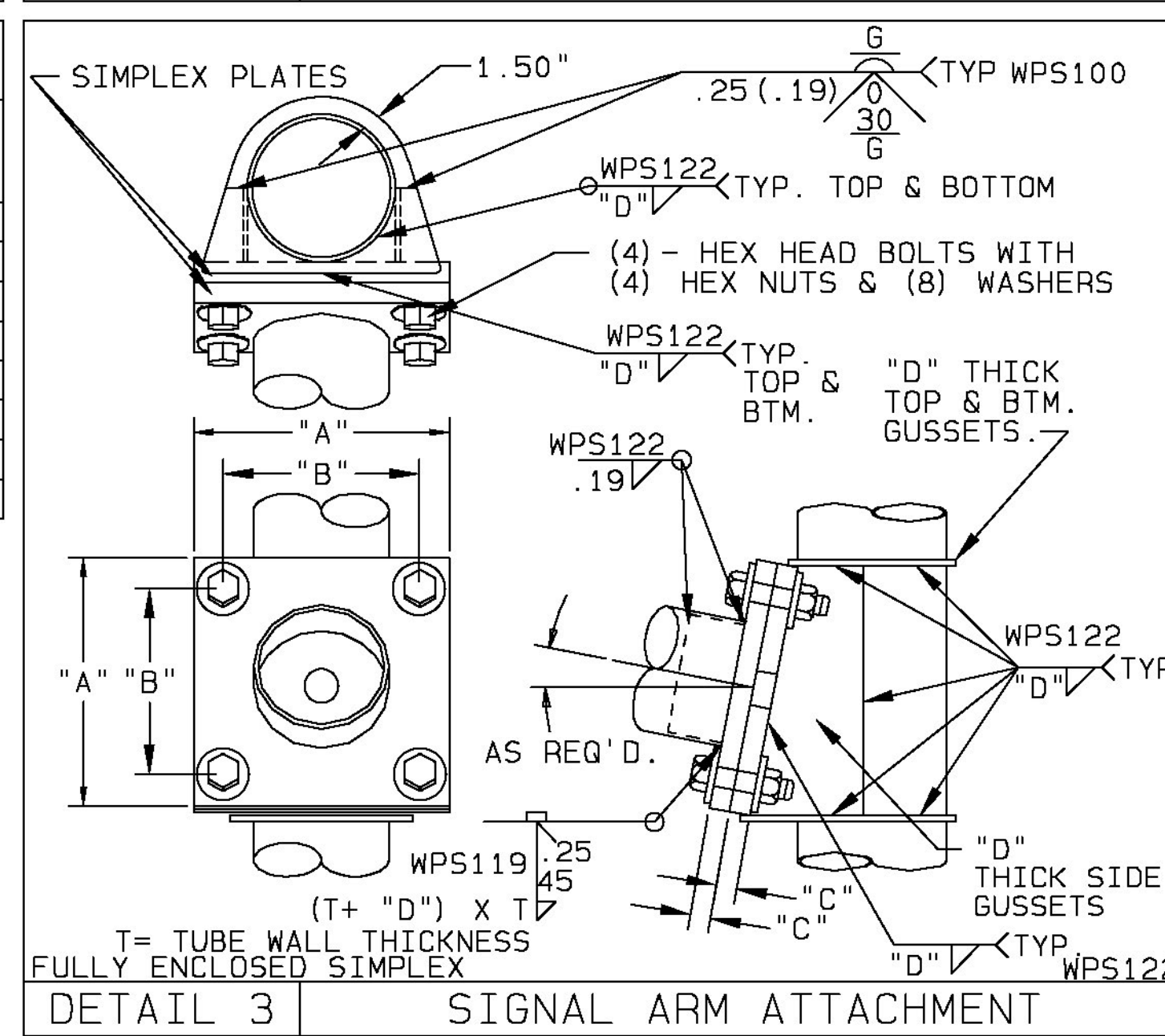
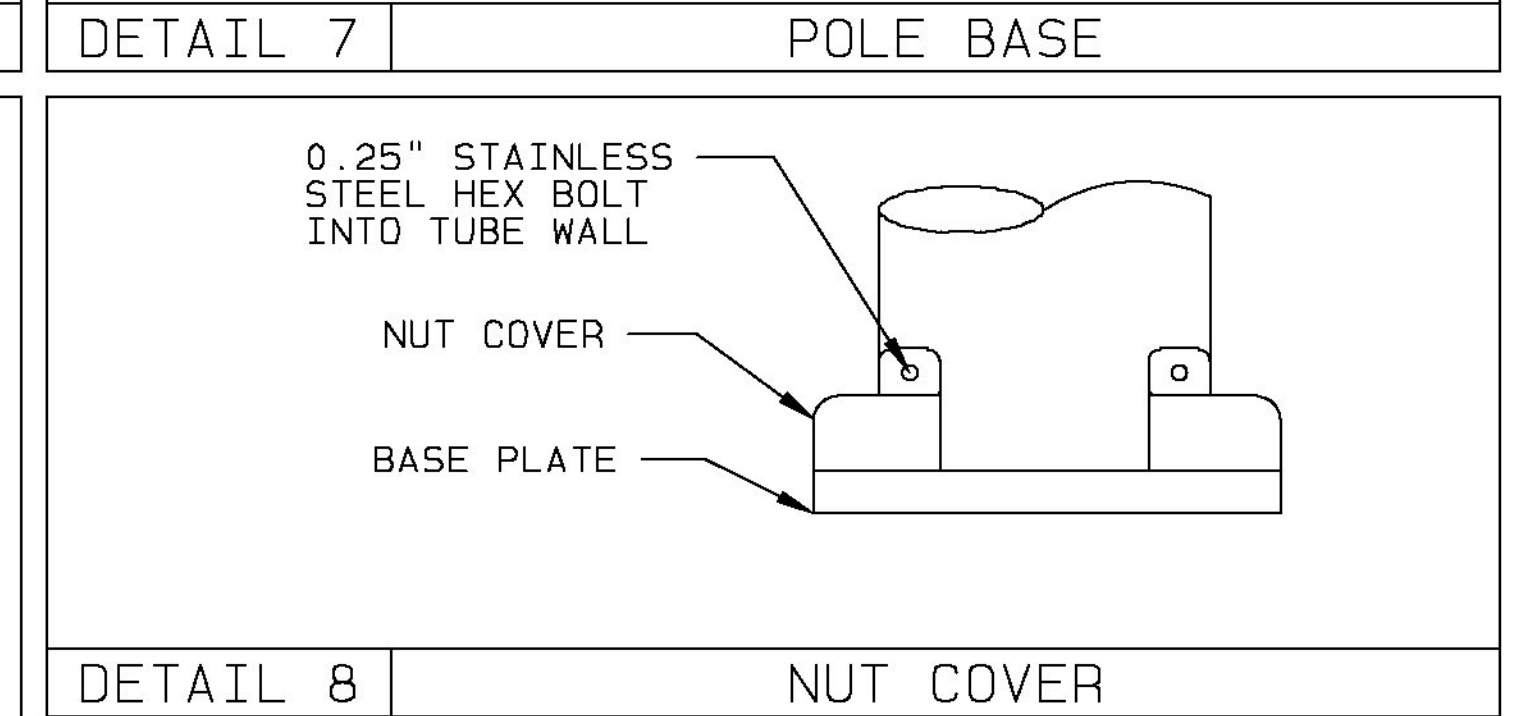
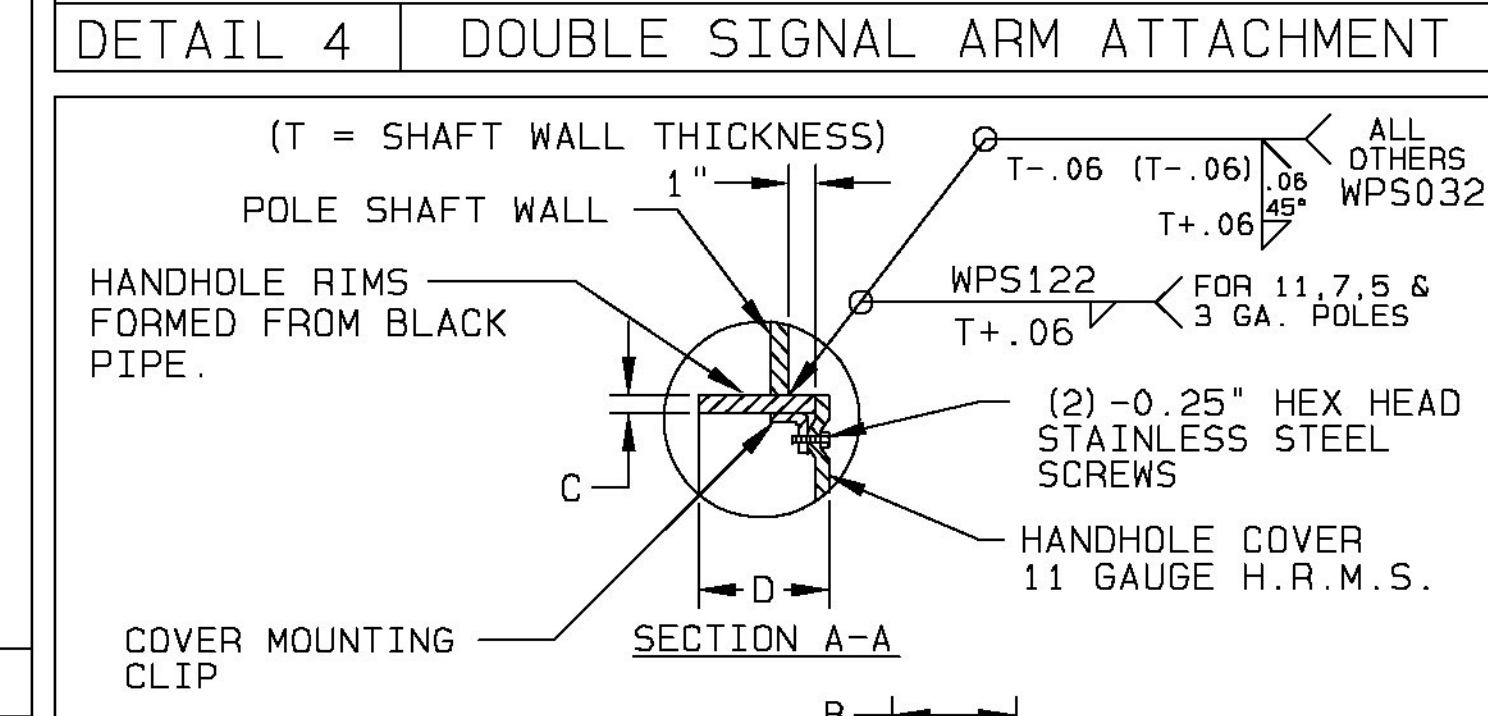


MATERIAL DATA

COMPONENT	ASTM DESIGNATION	MIN. YIELD (KSI)	COMPONENT	ASTM DESIGNATION	MIN. YIELD (KSI)
POLE SHAFT	A595 GR.A	48	GALVANIZING- STRUCTURE	A123	
POLE BASE	A36	36	GALVANIZING- HARDWARE	A153	
SIGNAL ARM SHAFT	A595 GR.A	48			
LUMINAIRE ARM PIPE		36			
SIGNAL ARM CONNECTION	A36	36			
SIGNAL ARM CONN. BOLTS	A325				



SIGNAL ARM ATTACHMENT DATA

ARM LENGTH	"A"	"B"	"C"	CENTER HOLE DIA.	"D"	"E"
SINGLE MAST ARM POLE						
30.00'	17.25"	14.00"	2.000"	8.50"	0.375"	1.25" X 6.00"
TWIN MAST ARM POLE						
35.00'	21.25"	18.00"	2.000"	7.00"	0.500"	1.25" X 6.00"
55.00'	21.25"	18.00"	2.000"	7.50"	0.500"	1.25" X 6.00"

SYSTEM: FINISH PAINT/GALVANIZED (FPGV)
BASE COAT: HOT-DIP GALVANIZED TO ASTM A123
PRIME COAT: NONE
FINISH COAT: TGIC OR URETHANE POLYESTER POWDER
COLOR: BLACK
SPEC: F-283A

JOB VAOT
 S. BURLINGTON - WILLISTON, NH 2944 (1)
 TITLE TRAFFIC SIGNAL STRUCTURES

VALMONT INDUSTRIES, INC. RESERVES THE RIGHT TO INSTALL VARIOUS, ENGINEER APPROVED, MATERIAL HANGING ACCOMMODATIONS TO FACILITATE THE MANUFACTURING PROCESS.

valmont
 Valley, NE 68064
 (402) 359-2201

ORDER NUMBER: 365342-P1
 PAGE NUMBER: 3 OF 4
 DRAWING NUMBER VT365342P1
 REV B