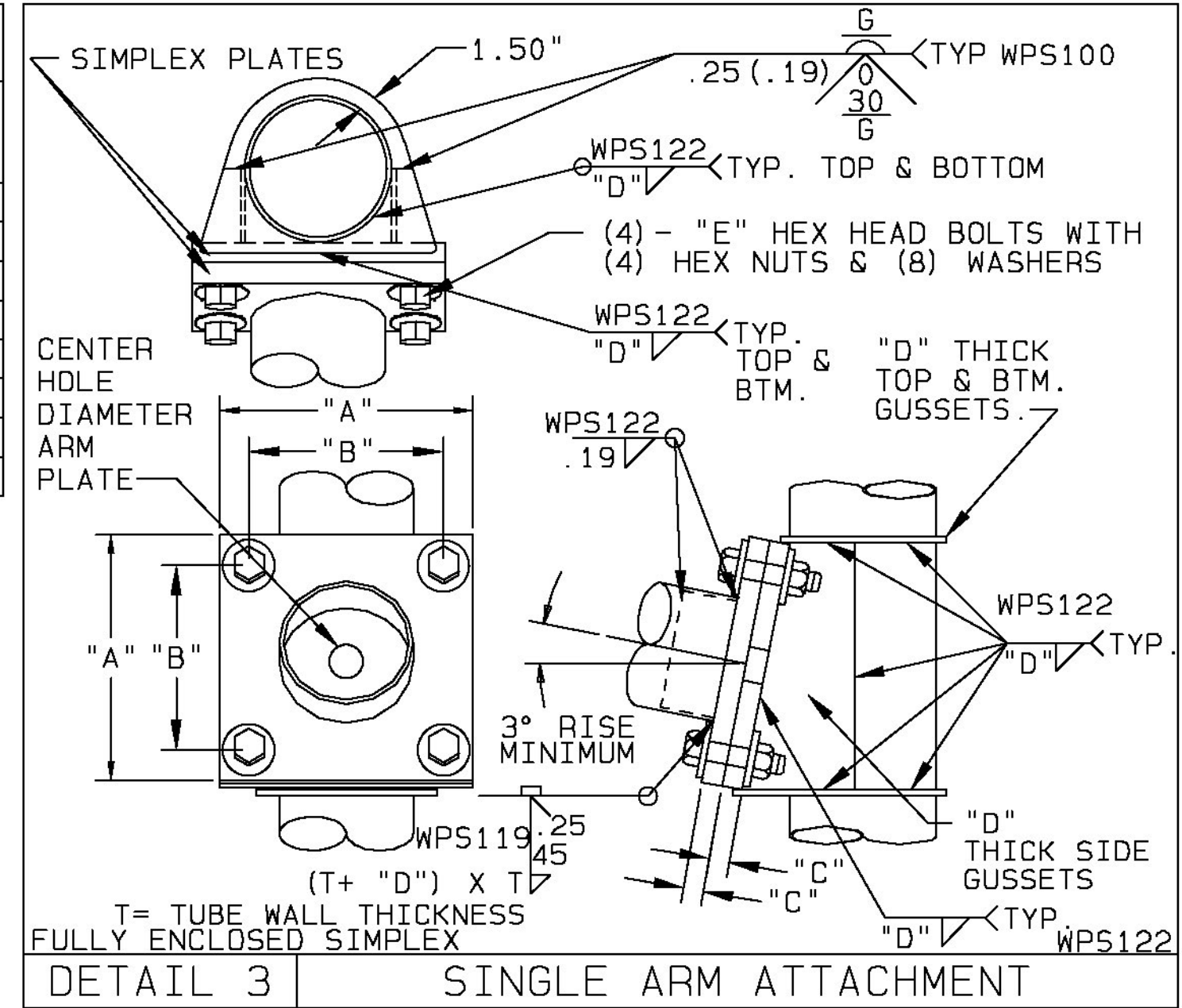
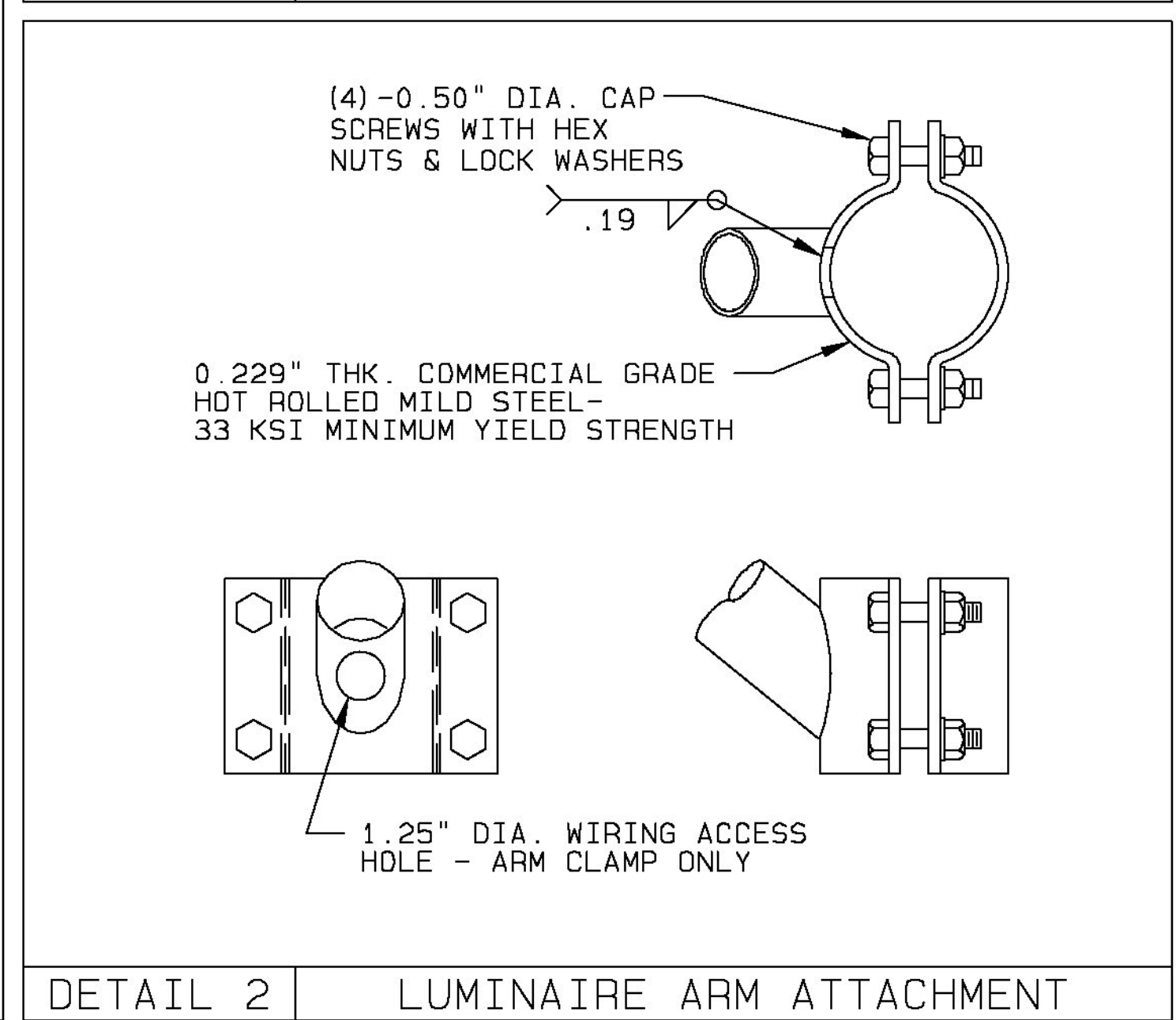
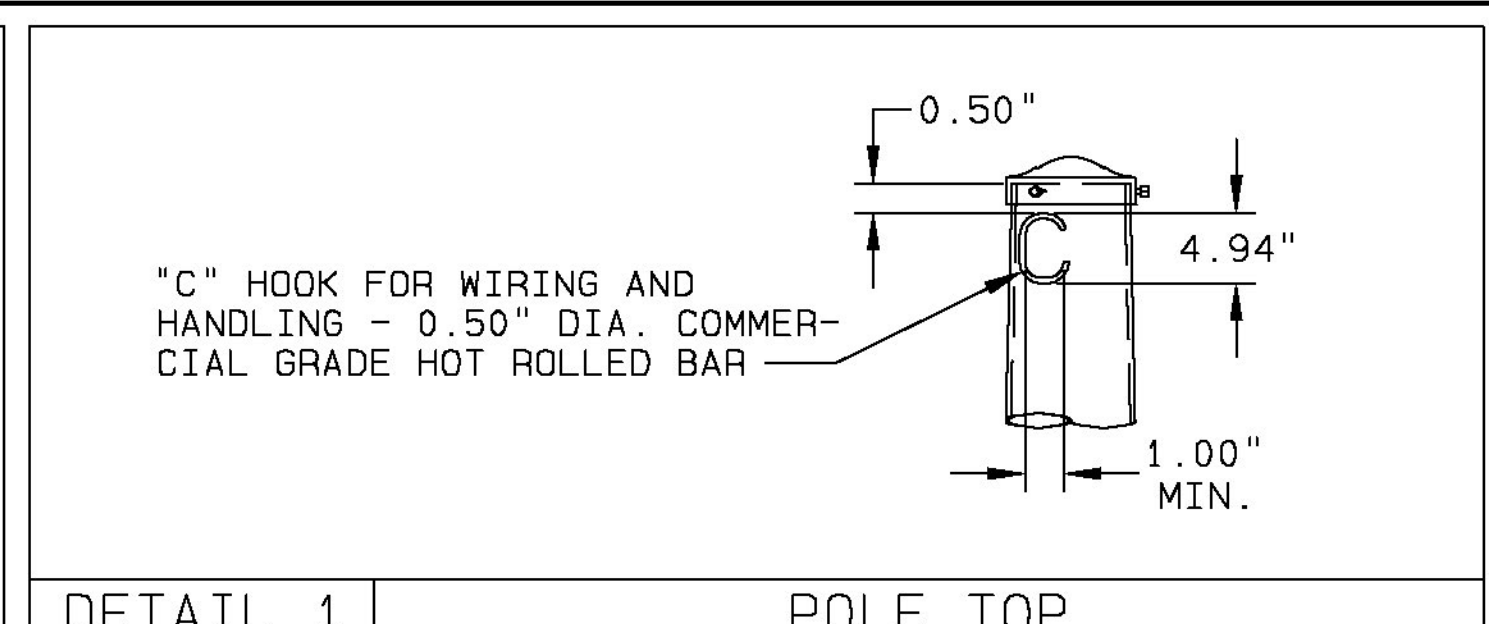


**MATERIAL DATA**

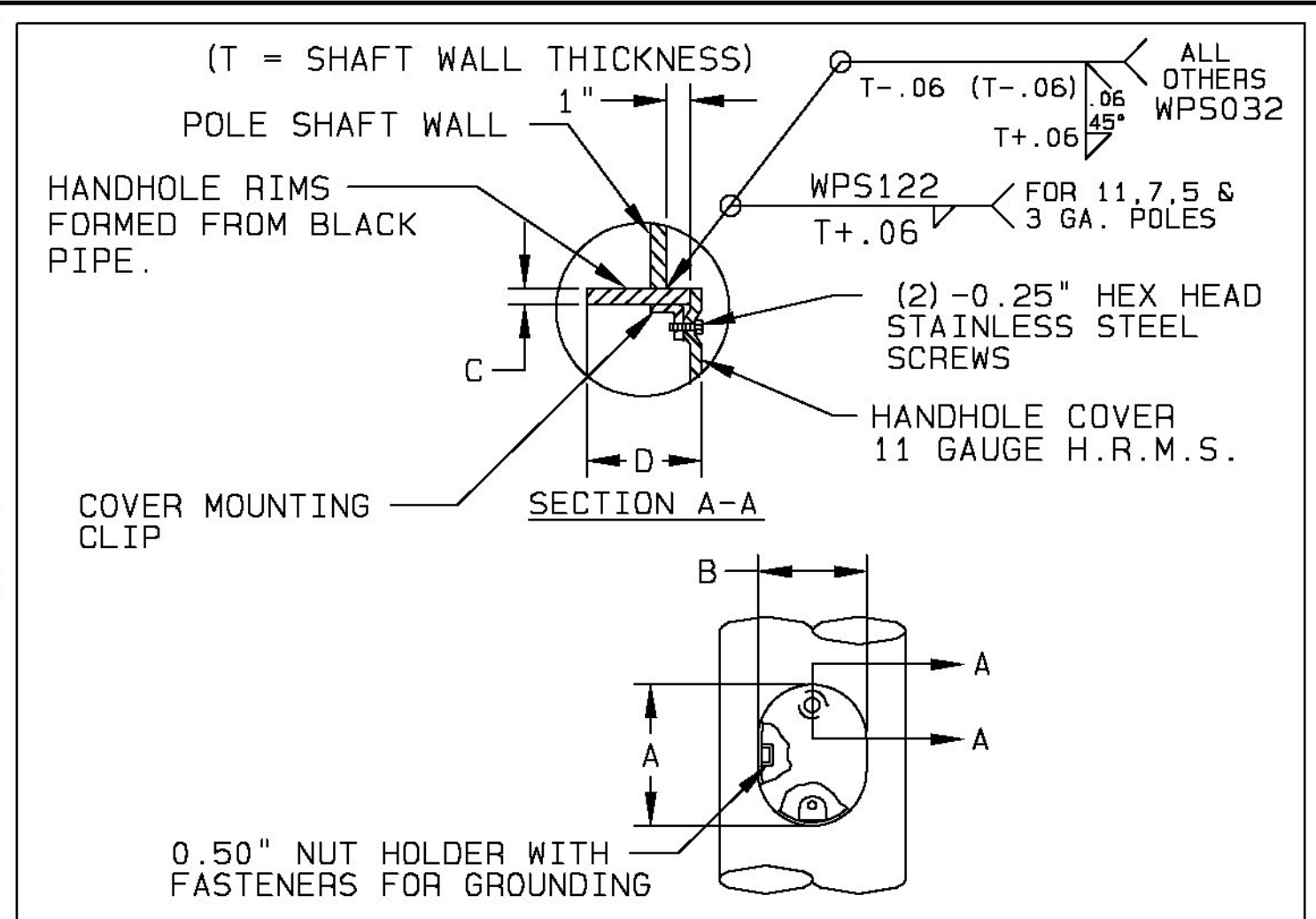
COMPONENT	ASTM DESIGNATION	MIN. YIELD (KSI)	COMPONENT	ASTM DESIGNATION	MIN. YIELD (KSI)
TAPERED TUBES	A595 GR. A OR A572	55	ANCHOR BOLTS	F1554 GR. 55	55
POLE BASE	A36	36	GALVANIZING- HARDWARE	A153	
LUMINAIRE ARM PIPE		36			
SIGNAL ARM CONNECTION	A36	36			
SIGNAL ARM CONN. BOLTS	A325				

**SYSTEM:** FINISH PAINT/GALVANIZED (FPGV)  
**BASE COAT:** HOT-DIP GALVANIZED TO ASTM A123  
**PRIME COAT:** NONE  
**FINISH COAT:** TGIC OR URETHANE POLYESTER POWDER  
**COLOR:** BLACK  
**SPEC:** F-283A

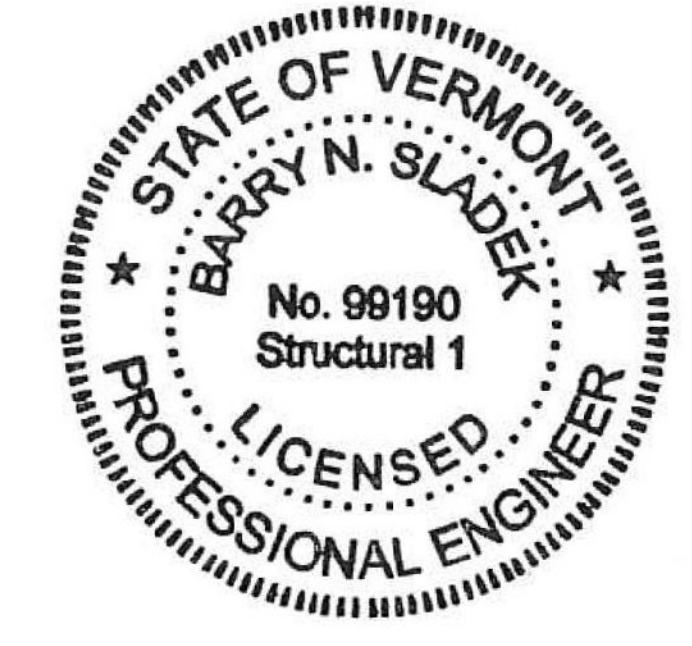
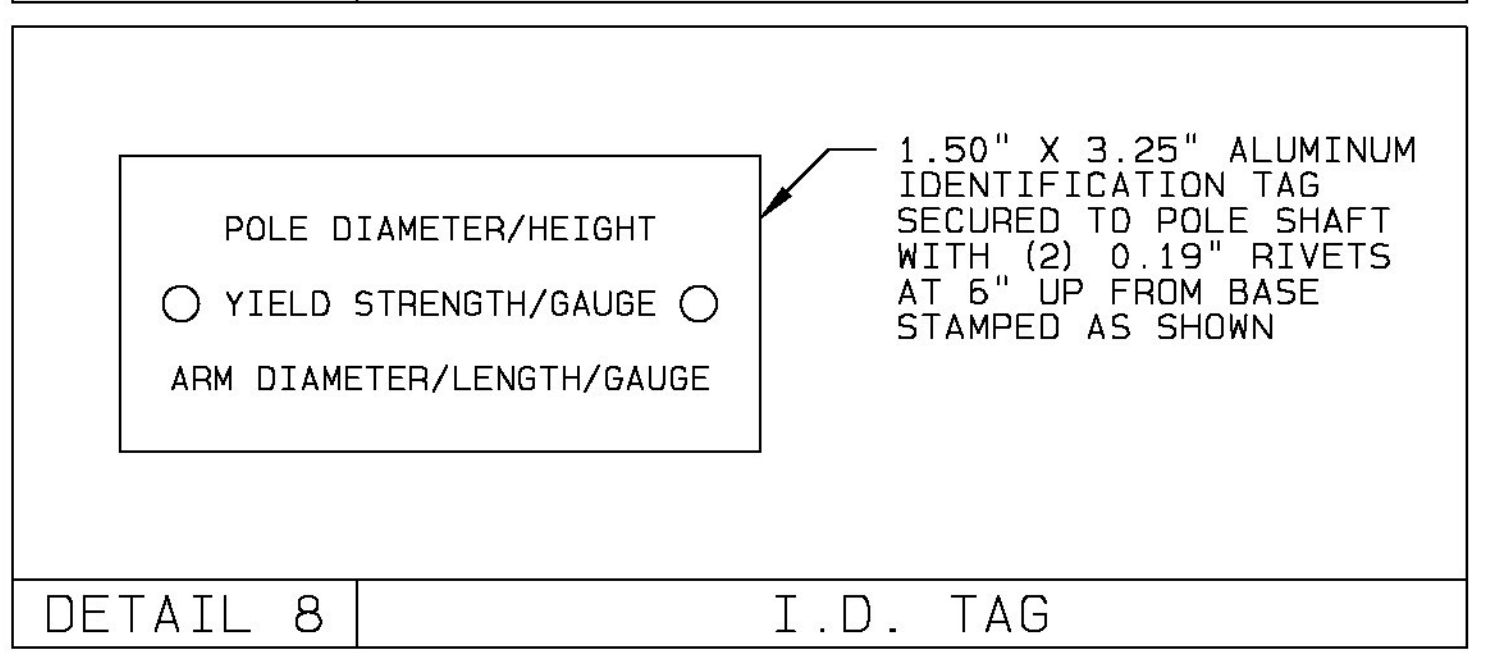
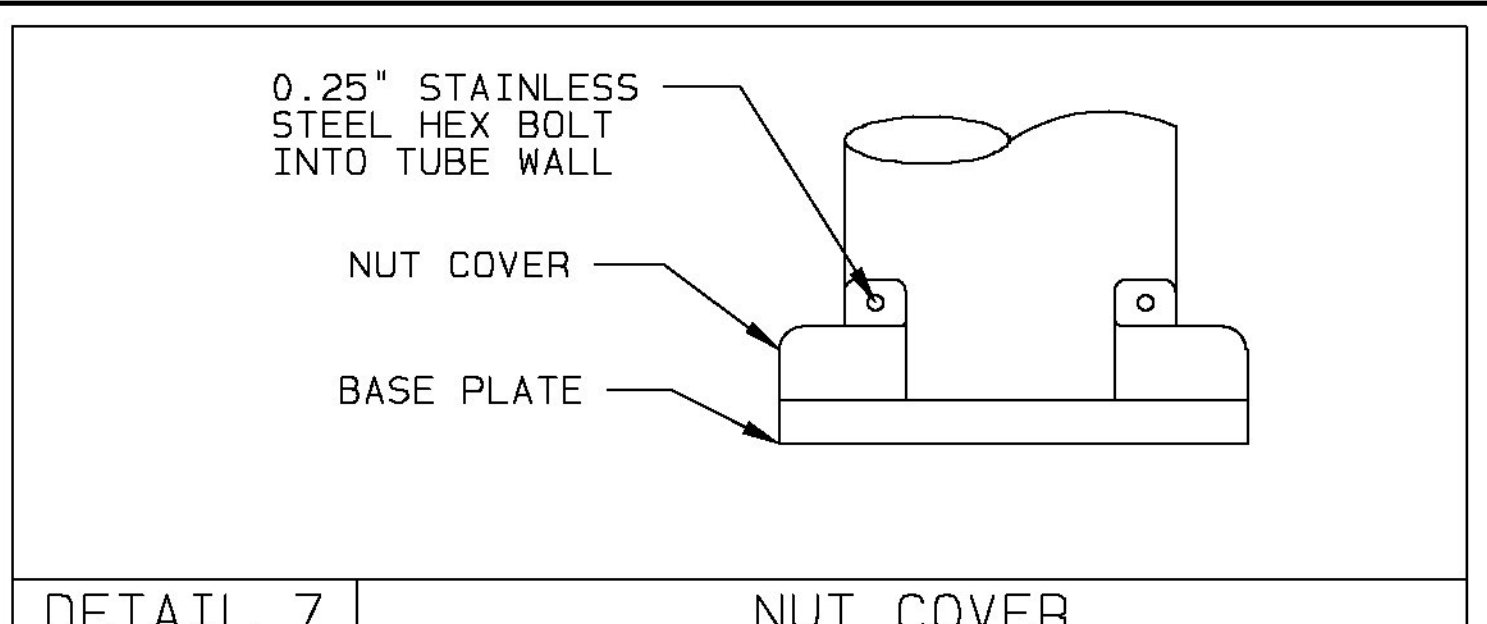
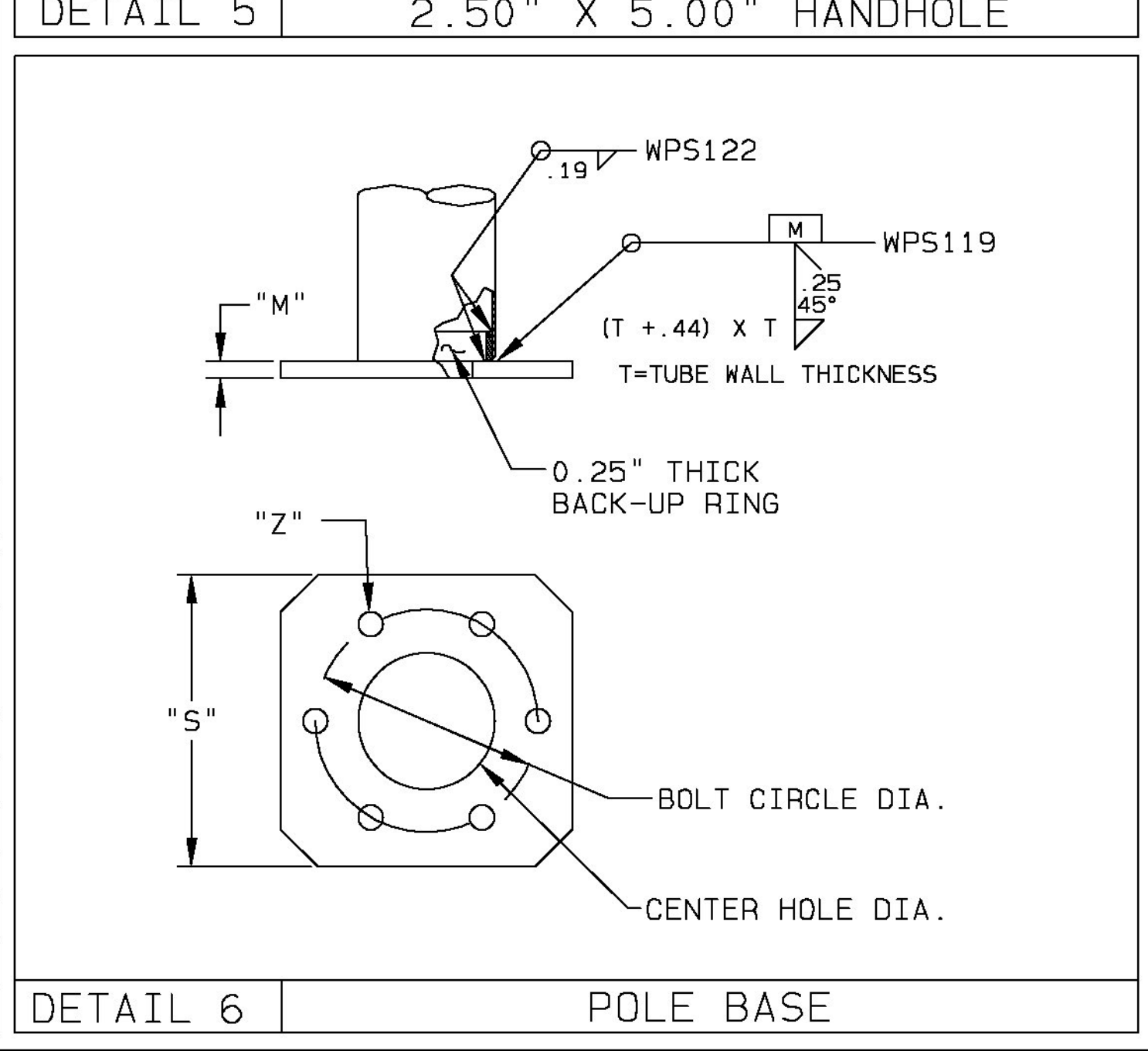
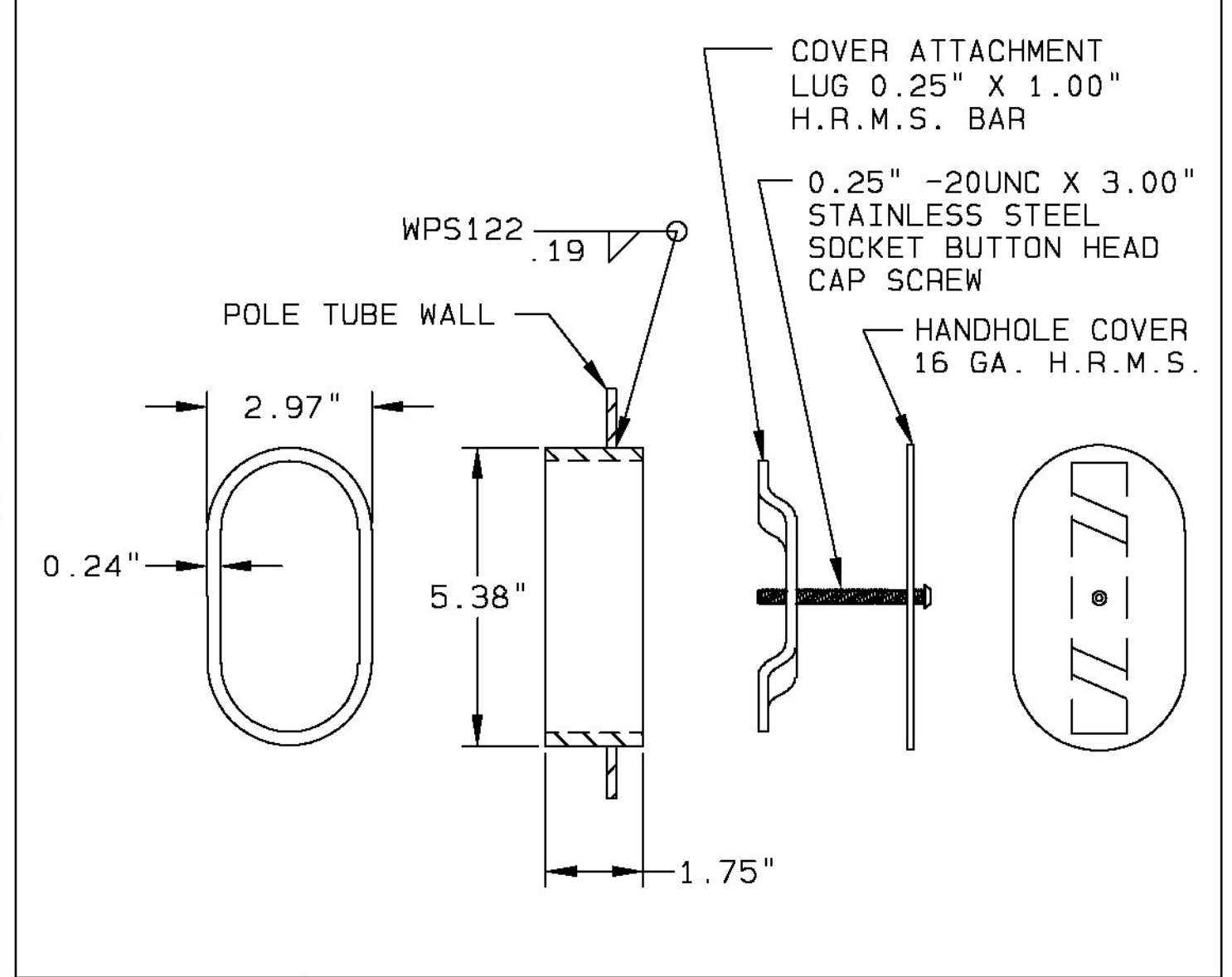


**SIGNAL ARM ATTACHMENT DATA**

ARM LENGTH	"A"	"B"	"C"	CENTER HOLE DIA.	"D"	"E"
SINGLE MAST ARM POLES						
30.00'	17.25"	14.00"	2.000"	8.50"	0.375"	1.25" X 6.00"
35.00'	18.25"	15.00"	2.000"	9.00"	0.375"	1.25" X 6.00"
40.00'	18.25"	15.00"	2.000"	9.00"	0.375"	1.25" X 6.00"



ITEM NUMBER	A	B	C	D
#1, #2, #3, #4 & #5	7.56"	5.50"	0.500"	2.000"



REV	DATE	DESCRIPTION
B	JTF 09/20/17	JTF 09/20/17 REVISED LUM. ARM TYPE
A	JTF 08/08/17	JTF 08/08/17 REVISED PER REQUEST
	JTF 07/22/17	JTF 07/22/17

SDLD TO: HIGHWAY TECH  
 SHIP TO: EAST COAST SIGNALS, INC.  
 P.O. #: 12089  
 AGENT: HIGHWAY TECH

JOB: VAOT  
 S. BURLINGTON - WILLISTON, NH 2944 (1)  
 TITLE: TRAFFIC SIGNAL STRUCTURES

VALMONT INDUSTRIES, INC. RESERVES THE RIGHT TO INSTALL VARIOUS, ENGINEER APPROVED, MATERIAL HANGING ACCOMMODATIONS TO FACILITATE THE MANUFACTURING PROCESS.

**valmont**  
 Valley, NE 68064  
 (402) 359-2201

ORDER NUMBER: 365342-P1  
 PAGE NUMBER: 1 OF 4  
 DRAWING NUMBER: VT365342P1  
 REV: B