



ENGINEERING COMPANY, INC

Route 145, Winthrop Road
Chester, Ct 06412-0684
TELEPHONE: (860) 526-9504
TOLL FREE: 1-800-637-4736
FACSIMILE: (860) 526-4784

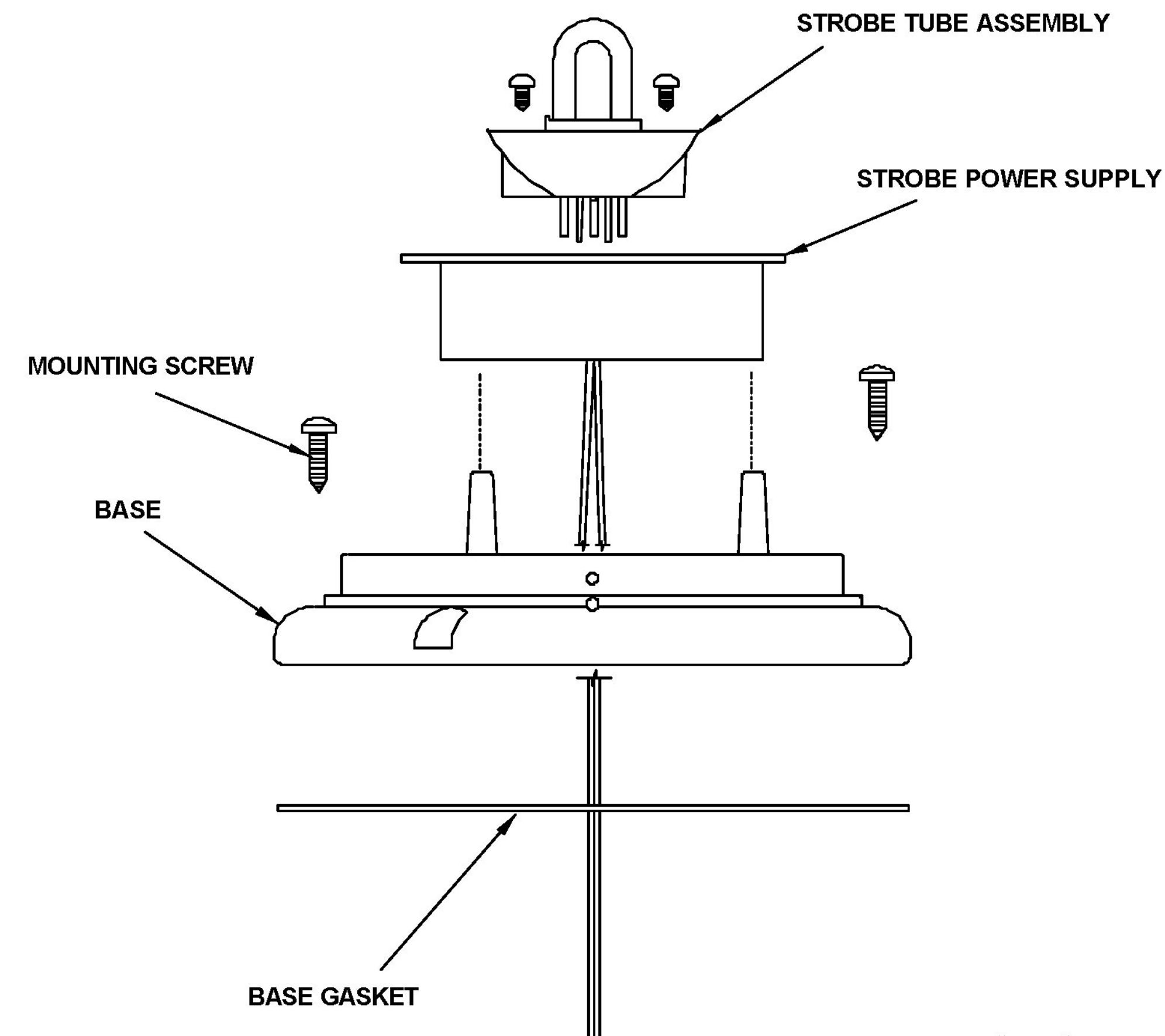
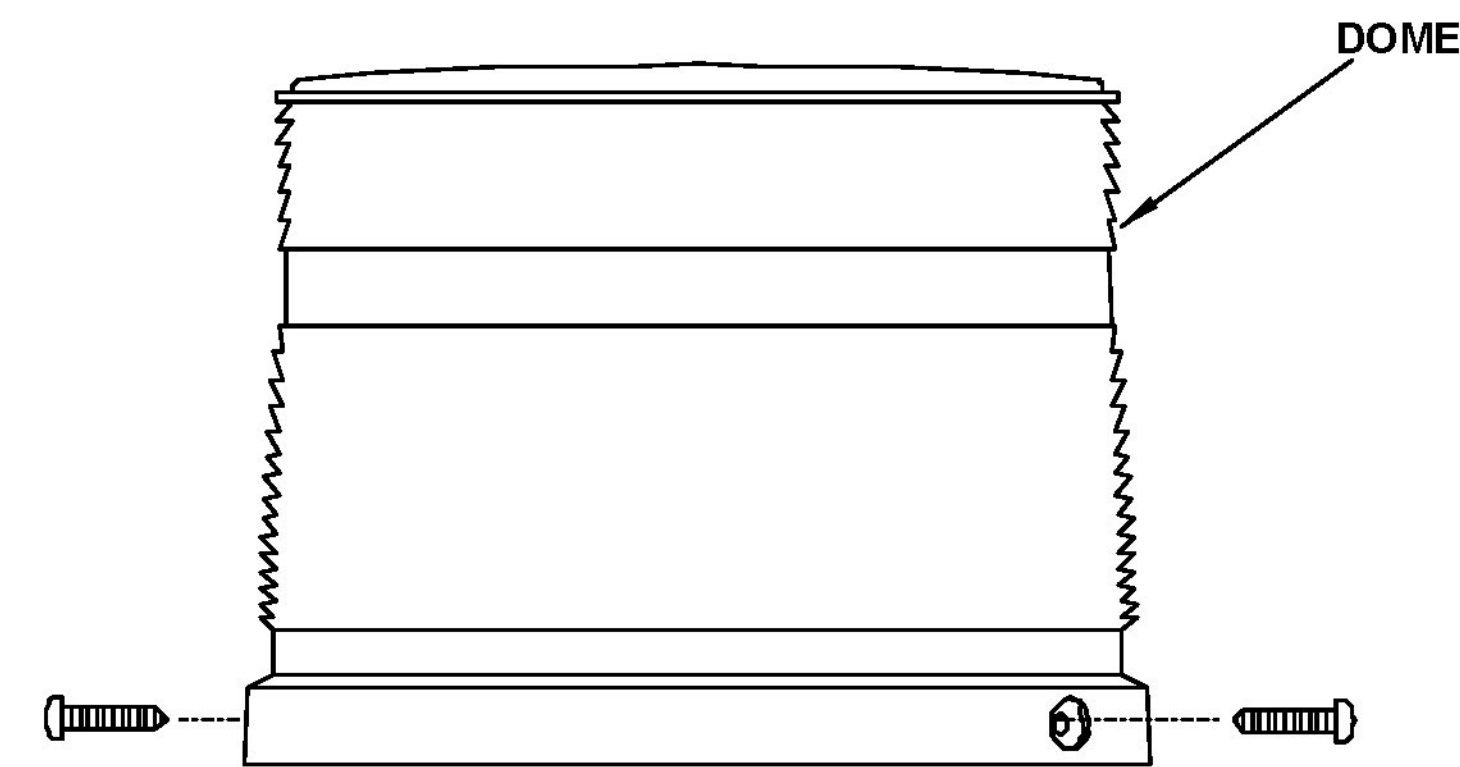
Doc No. 04-0113059-01

IS3 SERIES

STROBE LIGHT BEACONS

- IS3006, 10-40 VDC, 12-28 VAC, SINGLE FLASH
- IS3010, 12/24 VOLTS DC, DOUBLE FLASH
- IS3020, 12/24 VOLTS DC, DOUBLE FLASH
- IS3210, 120 VOLTS AC, SINGLE FLASH
- IS3220, 120 VOLTS AC, DOUBLE FLASH
- IS3240, 240 VOLTS AC, DOUBLE FLASH

REPLACEMENT PARTS FOR IS3 SERIES STROBES



SEE OTHER SIDE OF PAGE FOR REPLACEMENT PARTS LISTING.

WARNING...
DISCONNECT THE POWER SOURCE AND **WAIT 10 MINUTES** BEFORE INSTALLING OR SERVICING THE STROBE LIGHT.

IS3220 HR "High Dome / Red Lense"